

CUSTOMER INSTALLATION INSTRUCTIONS

Reliability by Design.

IN0031 (R7) LV Wall Mount Frame Installation Instructions
29 Jan 2026

1 Purpose

The purpose of this document is to provide guidelines for the installation of the Hiko Power Engineering range of pre-assembled Wall Mount LV Frames.

In addition to these instructions, installation must comply with any other relevant general or site specific: regulations, standards, and environmental and safety requirements, including safe work practices, as specified in local and/or national work instructions or codes.

2 Scope

LV Wall Mount Frame components supplied consist of:

- Complete Frame Assembly with Wall Mount mounting brackets
- Earth and Neutral Bars Assembly bracket
- Cables (supplied if requested)

This instruction assumes all installation work will be undertaken by appropriately trained and qualified installers of the LV frame product.

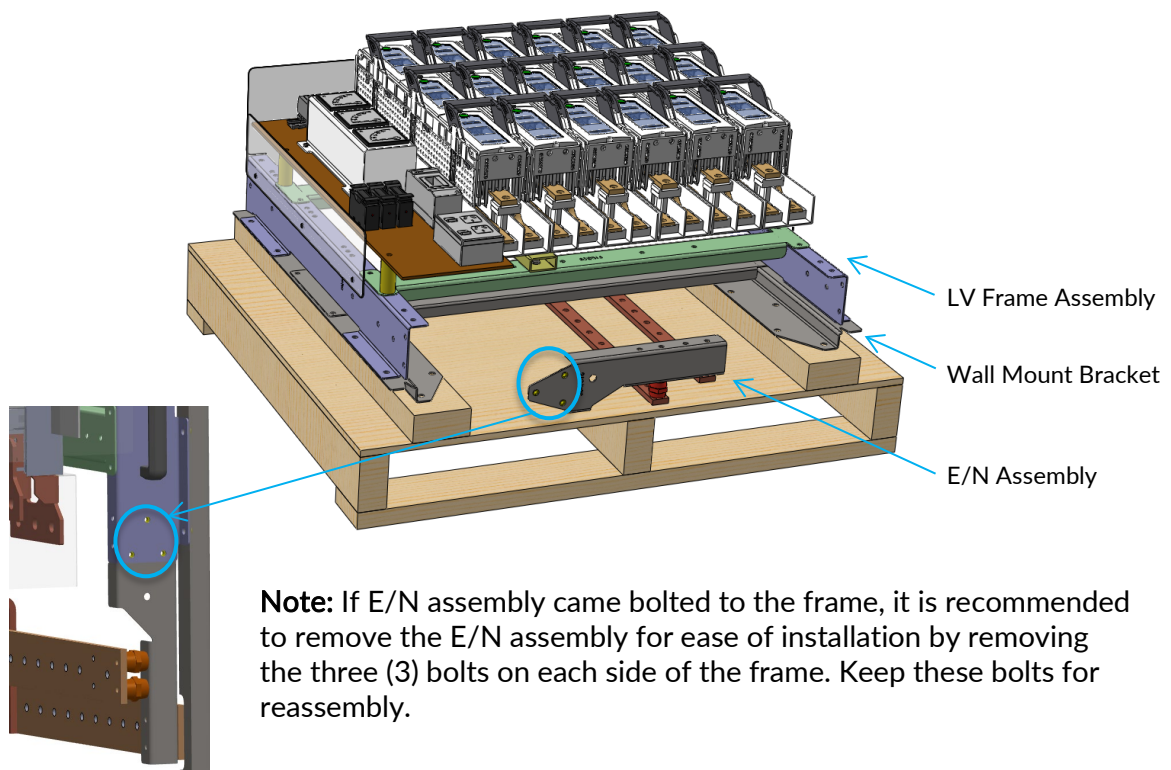
3 Important Safety Information

- Wear appropriate personal protective equipment.
- Ensure all electrical components are isolated before making connections. Do not work on an energised system.
- Complete a risk assessment prior to commencing site work.
- Adhere to this work instruction for the installation of the LV Wall Mount Frame.

4 Product Technical Information

LV Frame Configuration	Approximate Weight	Approx. Frame External Dimensions <i>Length x Depth x Height</i> (mm)
LV1000 w/ CB and tags on Tall Legs	220 kg	1070 x 470 x 1710
LV1200 10Way w/ Service Panel, No CB	150 kg	1270 x 370 x 1360

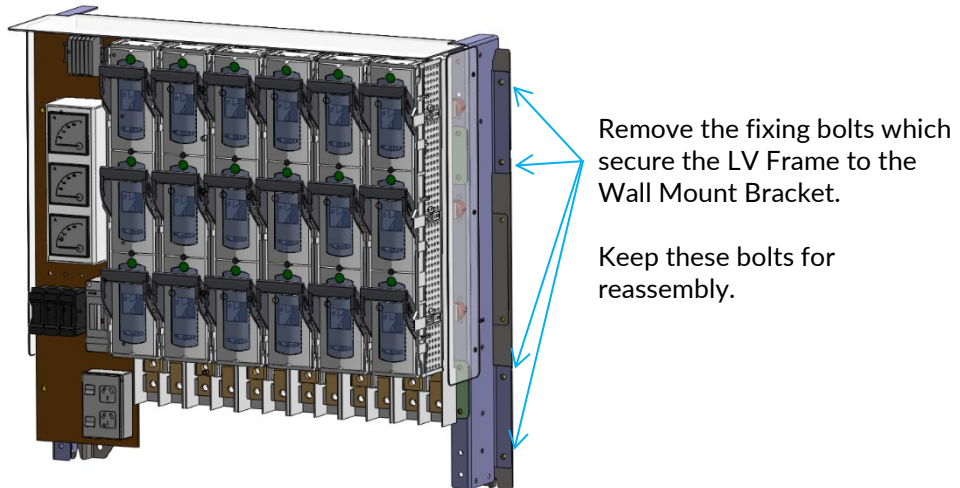
Complete LV Frame with E/N Bar assembly separate



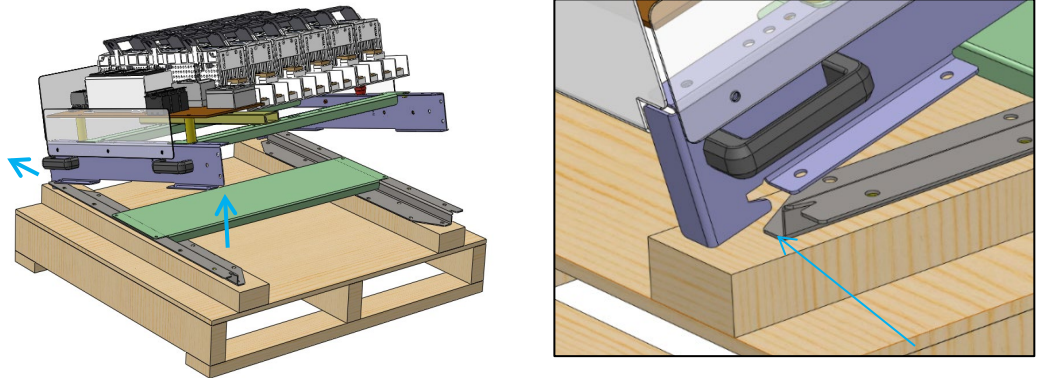
5 Installation

Upon unboxing, inspect product for damage prior to installation.

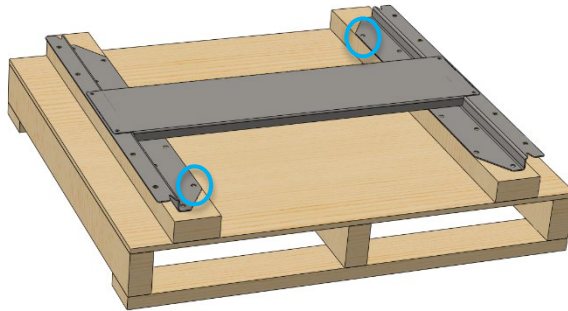
1. Remove LV Frame from Wall Mount Bracket.



2. Remove LV Frame from Wall Mount Bracket and Pallet.



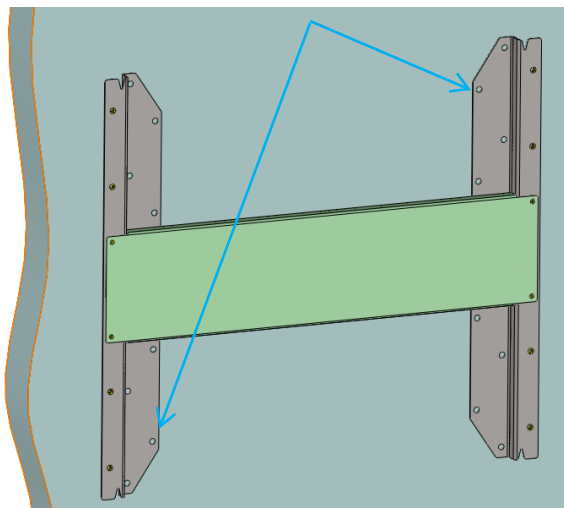
3. **Remove Wall Mount Bracket from Pallet by unscrewing fasteners.**



4. **Fit Wall Mount Bracket to Wall.**

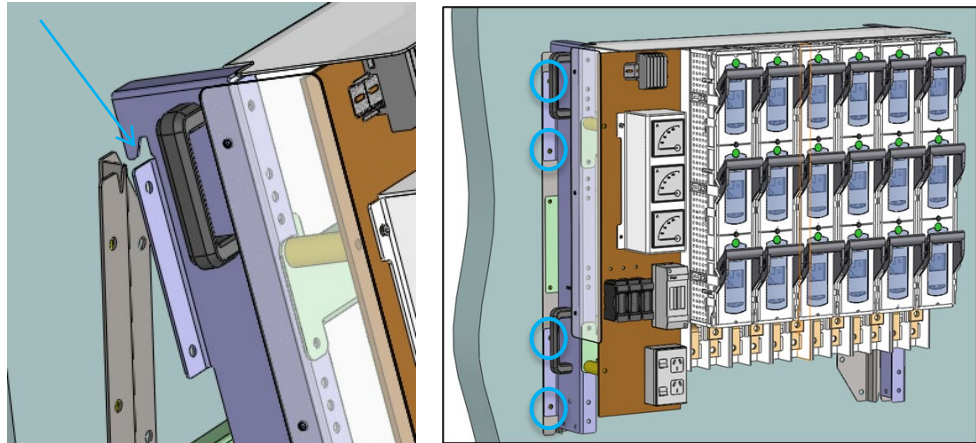
Lift Wall Mount Bracket to the correct position, mark and drill holes to secure it to the wall.

It may not be necessary to use all the attachment holes provided. This will depend on the method and strength of the wall it is being attached to, i.e. concrete might require less fixing than a wooden wall.



5. **Fitting LV Frame to Wall Mount Bracket**

Once the Wall Mount Bracket is secured to the wall, the LV Frame can be lifted into place using the top latch mechanism. The unit can be rested here. Use the connection bolts removed at step 1 to re-attach the LV Frame onto the Wall Mount Bracket.

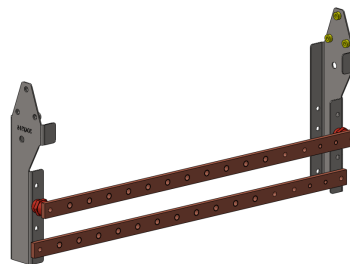


6. **LV Frame secured to Wall Mount Bracket**

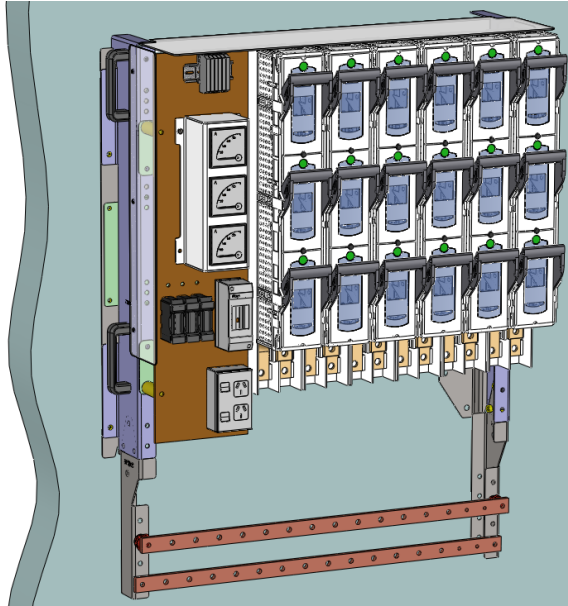
Re-fit the bolts connecting the LV Frame to the Wall Mount Bracket, both sides of frame.

7. **Earth Neutral bar assembly**

Now offer up Earth Neutral bar assembly to the LV Frame and bolt into place with fasteners provided.



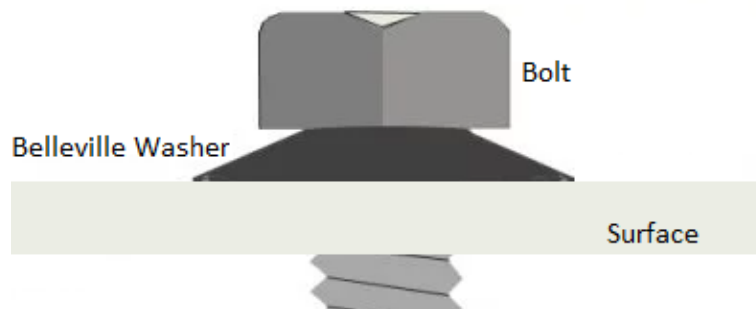
8. Complete unit on wall ready for cabling



6 LV Disconnect Installation Summary

1. Disconnect bolts are required to be torqued in two key locations:
 - a. Disconnect bolts fastening to the busbar
 - b. Outgoing terminal bolts of the disconnect with cable fitted. If no cable is fitted onto the outgoing terminal bolt, only finger tight is required.

Note: Ensure the Belleville washers are right way around when re-fastening the bolts.



2. Depending on the size of the disconnect and/or bolts, follow the torque requirements below.

Torque Requirement for Disconnect Bolts on the Busbar

DIN Size	Bolts Size	Torque (Nm)
DIN 2, 3	M12	40
DIN 00	M8	12

Torque Requirement for Outgoing Terminal Bolts of the Disconnect with Cable Fitted

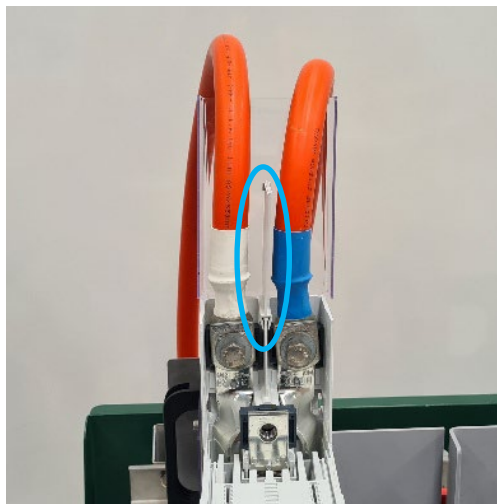
DIN Size	Bolts Size	Torque (Nm)
DIN 2, 3	M12	40
DIN 00	M8	12

3. Spare way cover in place of a disconnect, shall be installed with a nylon bolt M12 x 30 mm.

7 Top Entry Disconnects Only

To fit cable connections for Top Entry Disconnects, follow instructions below

1. Standard Top Entry Disconnects with **single cable connection** will come fitted with phase separator between the blue and white phase.
2. Install cables as normal.
3. Ensure the front cover is fitted securely when finished.



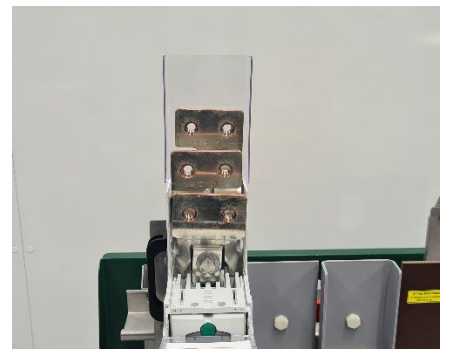
1 Phase separator between white and blue cable connection



2 Completely assembled Top Entry Single Connection Disconnect

For multiple cable connections per phase, follow instructions below

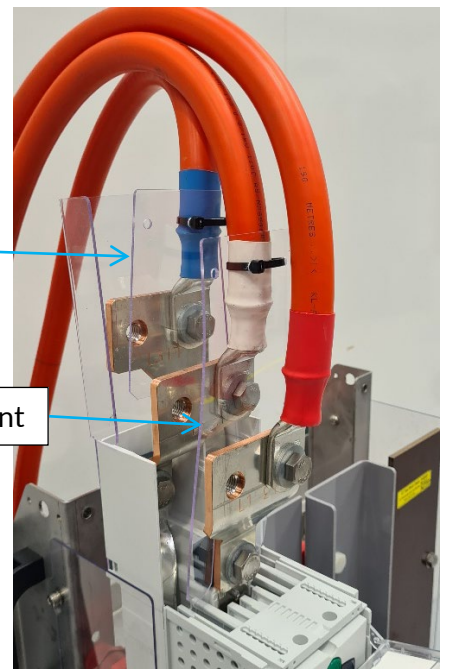
1. For **Compact and Extend Disconnects** where multiple connections are required per phase, install the phase separator as follows.



2. The supplied phase separators labelled front and back, must be installed in between each phase. Secure the phase separator to the cables with cable ties provided.

back

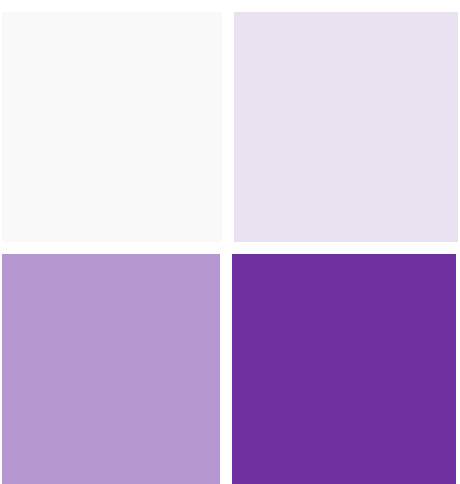
front



3. Ensure the front cover is fitted securely when finished.



This page is left intentionally blank)



0800 473 999

Christchurch Office - 85a Falsgrave St, Phillipstown

Auckland Office - Unit B5, 269A Mount Smart Rd

www.hikopower.co.nz

