

U-PILLAR Underground Service Connection Box

Branching, looping and conduit versions available

DS0035 R4 U-PILLAR Underground Service Connection Box 06/2024

The Hiko U-Pillar is a new concept in service connections for branching and looping networks. Building on Hiko's expertise in underground switchgear, the U-Pillar delivers a simple, robust, secure, cost effective and fully underground solution for 63 A / 100 A service fuses and 160 A DIN standard disconnects.

In the U-Pillar, fusegear is locked and protected below ground level in an air chamber, where it is kept clean and dry, even in flood conditions.

The unique design also provides for safe and convenient inspection and maintenance above ground level, without the need to pump out water.

Another key feature of the U-Pillar is the free movement of air around the fusegear, which eliminates concerns around operational safety and long-term reliability associated with other underground solutions that rely on so-called "waterproof" fuse housings. These typically include seals that may be vulnerable to the pressure cycling that occurs as the temperature of the service fuse varies between hot and cold. When air is drawn in, moisture condenses inside the housing, and is not expelled when the fuse

heats up again. Water in contact with a fuse causes operational hazards, reduced asset lifetime, and elevates the risk of in-service failure.

The U-Pillar comes complete with water-blocked, pre-terminated flexible tails for both the incomer and service supplies, so network operators can be certain that the integrity of the asset is not compromised by water ingress via a damaged or poorly maintained service cable. And service connection contractors do not need to open the box.

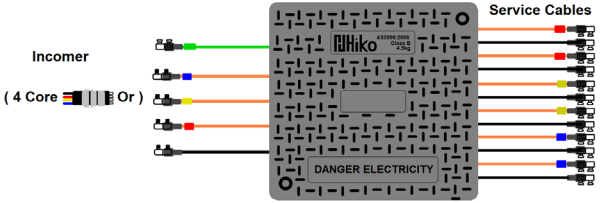
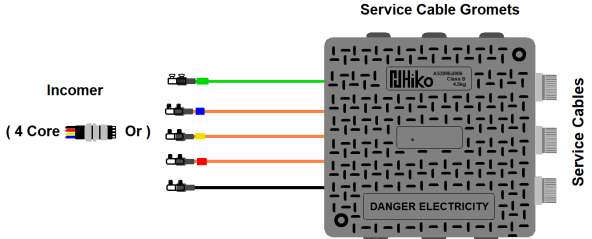
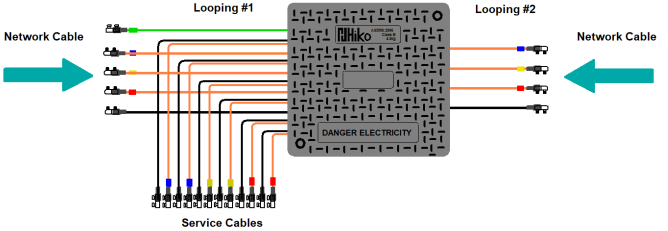
The reinforced lid of the U-Pillar is extremely robust, for installation in footpaths and driveways.

The pit is shaped to provide structural strength and long-term stability. Materials used are benign to the environment, and resistant to engine oil, petrol and diesel.

U-Pillar Features

- Current rating from 63A to 160A
- Single or four core connections for branching network
- From 1 to 6-way service connection
- Single core connection for looping network
- U-Pillar is an Arc Initiation Protected Zone
- IP: IP4x / Flammability: UL94
- Service connection: single phase or three phase
- Looping maximum current rating: 230A
- Dimension: 375mm x 375mm
- Lid load: class B and D
- Designed to have an air chamber (water bell principle) for switch gear to guard against underground water level
- Unique design provides a “pull up” feature to allow inspection, maintenance and later connection above ground level
- Conduit U-Pillar also provides 1-to-3-way internal connection solution for drive way and footpath
- Service cable can be changed to any three directions of U-Pillar

U-Pillar Models

Model	Description	Drawing Image
UDPxx02x063/100xx/L0	63A 1 to 6 way/100A 1 to 4 way (Branching & Looping network)	 <p>Figure 1 - Branching U-Pillar</p>
UDPxx02x160xx/Lx	160A 1 x 3P (Branching and Looping network)	 <p>Figure 2 - Conduit U-Pillar</p>
UDPxx02x063/100Cx	63A/100A 1-to-3-way Conduit (Branching & Looping network)	 <p>Figure 3 - Looping U-Pillar</p>

Mechanical Specifications

Parameter	Test method	Requirement	Comments
Lid load class	AS3996	Class B080 (8 tonnes) Class D (40 tonnes)	Suitable for footpaths and driveways (nominal wheel loading 2,670 kg)
Lid slip resistance	AS/NZS4586	Classification V (P5)	Represents a very low risk of slipping when wet
Colour	-	Black	Other colours available on request
Weather resistance	ASTM D2565 / ISO 4892-2	Greater than UV8	Long term UV stable
Chemical resistance	-	Engine oil, petrol, diesel	Maintains structural integrity after exposure to small and occasional spills
Flammability	UL94	HB	Very difficult to ignite without a sustained source of ignition
Thermal stability	AS/NZS4766	Pass	Melt flow index remains within $\pm 20\%$ after 100 days at 100°C

Materials

Component	Material	Comments
Lid	Polyethylene	UV stabilised grade UV20
Pit	Polyethylene	UV stabilised grade UV8
Bell	Polycarbonate	-
Stand	Polycarbonate	-
Fusegear holders	ABS, various	-
Fixtures and fittings	Stainless steel	304, (1.4301)
Cable insulation	Thermoset elastomeric PVC	Submersible, splash resistant to petrol and oil, ozone resistant, abrasion resistant

Configurations & Dimensions

Branching Connection

Hiko Code	Number of Services					Approx Weight (kg)	Cable tail sections		In-Line connectors	
	63A		100A	160A			Incomers (mm ²)	Service (mm ²)	Incomers (mm ²)	Service (mm ²)
	1-Phase	3-Phase	1-Phase	1-Phase	3-Phase					
UDP02A100xx			1			25*	16	10-50	10-50	
UDP02B100xx			2							
UDP02C100xx			3							
UDP02D100xx			4							
UDP02E063xx	5									
UDP02F063xx	6									
UDP02F063xx		2x3P								
UDP02F063xx		1x3P+1x1P								
UDP02F063xx		1x3P+2x1P								
UDP02F063xx		1x3P+3x1P								
UDP02G160xx				3x1P		70	70	50-185SM	50-185SM	
UDP02G160xx					1x3P					

* Incomer cable has two options – single core cable 25mm² or 4-core cable 25mm²

Conduit Connection

Hiko Code	Number of Services		Approx Weight	Cable Tail Sections		In-Line Connectors	
	100A 1-Phase		(kg)	Incomers (mm ²)	Service (mm ²)	Incomers (mm ²)	Service (mm ²)
UDP02A100Cx	1		14.4	25*	16	10-50	10-50
UDP02B100Cx	2		15.3				
UDP02C100Cx	3		16.2				

* Incomer cable has two options – single core cable 25mm² or 4-core cable 25mm²

Looping Connection*

Hiko Code	Number of Services					Approx Weight (kg)	Cable Tail Sections		In-Line Connectors	
	63A		100A	160A			Looping (mm ²)	Service (mm ²)	Looping (mm ²)	Service (mm ²)
	1-Phase	3-Phase	1-Phase	1-Phase	3-Phase					
UDP02A100Lx			1			70	16	50- 185SM	10-50	
UDP02B100Lx			2							
UDP02C100Lx			3							
UDP02D100Lx			4							
UDP02E063Lx	5									
UDP02F063Lx	6									
UDP02F063Lx		2x3P								
UDP02F063Lx		1x3P+1x 1P								
UDP02F063Lx		1x3P+2x 1P								
UDP02F063Lx		1x3P+3x 1P								
UDP02G160Lx				3x1P		70		50- 185SM		
UDP02G160Lx					1x3P					

*Looping CU cable maximum size 70mm² and maximum looping current rating 230A

Options

Security bolts / internal padlock
 Identification (on lid and bell)
 Incomer and service cable tail lengths (0.2 m and 0.5 m as standard)¹
 Branch joint²
 Service fuses
 Street lighting and other auxiliary supplies

Other literature available on request

Reports, drawings, technical data sheets, installation instructions, O&M guidelines

Notes

¹ Capped incomer and water-blocked service connectors included as standard

² Hiko product code KP8033 (Pfisterer ISICOMPACT single-shear-bolt connector and resin joint kit) for main 50-240 / branch 10-70mm²



Scan this QR code to watch the U-Pillar video animation.

