



IN THE LINE OF POWER



Catalog

Power distribution components



Safe Distribution of High Currents

As a specialist for safety interfaces, EFEN offers the optimum portfolio of innovative power distribution components. Our focus is on user-friendly installation, a responsible handling of energy as a resource and also on application-oriented solutions.



NH Fuse-Bases

Comprehensive product range by EFEN for switchgear and distributor manufacturing. The range includes sizes 000 to 3L for all common mounting types and also various application-specific designs. A full range of accessories for many connection versions as well as partition walls, contact and fuse covers is available.

Product overview page 110



NH Fuse-Switches, horizontal design

Perfectly-tuned systems with one to four switching poles and in sizes 000 to 3. In DC applications, the compact TPS fuse-switches and load-break switches save space and costs. A comprehensive range of accessories allows various application-specific solutions to be realized.

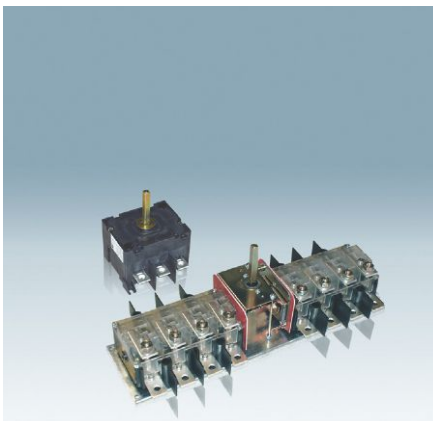
Product overview page 126



NH Fuse-Switches, vertical design and Fuse-Rails

The core competences of EFEN comprise vertical-design NH fuse-switches for safe power distribution. Vertical-design **E³** NH fuse-switches offer excellent electrical properties and many upgrade options for smart power distribution.

Product overview page 180



Switch-fuses, load-changeover switches

Switch-fuses and load-changeover switches by EFEN are characterized by their robust functionality and compact design. The range comprises 3- and 4-pole versions as well as bypass versions with and without fuse-links.

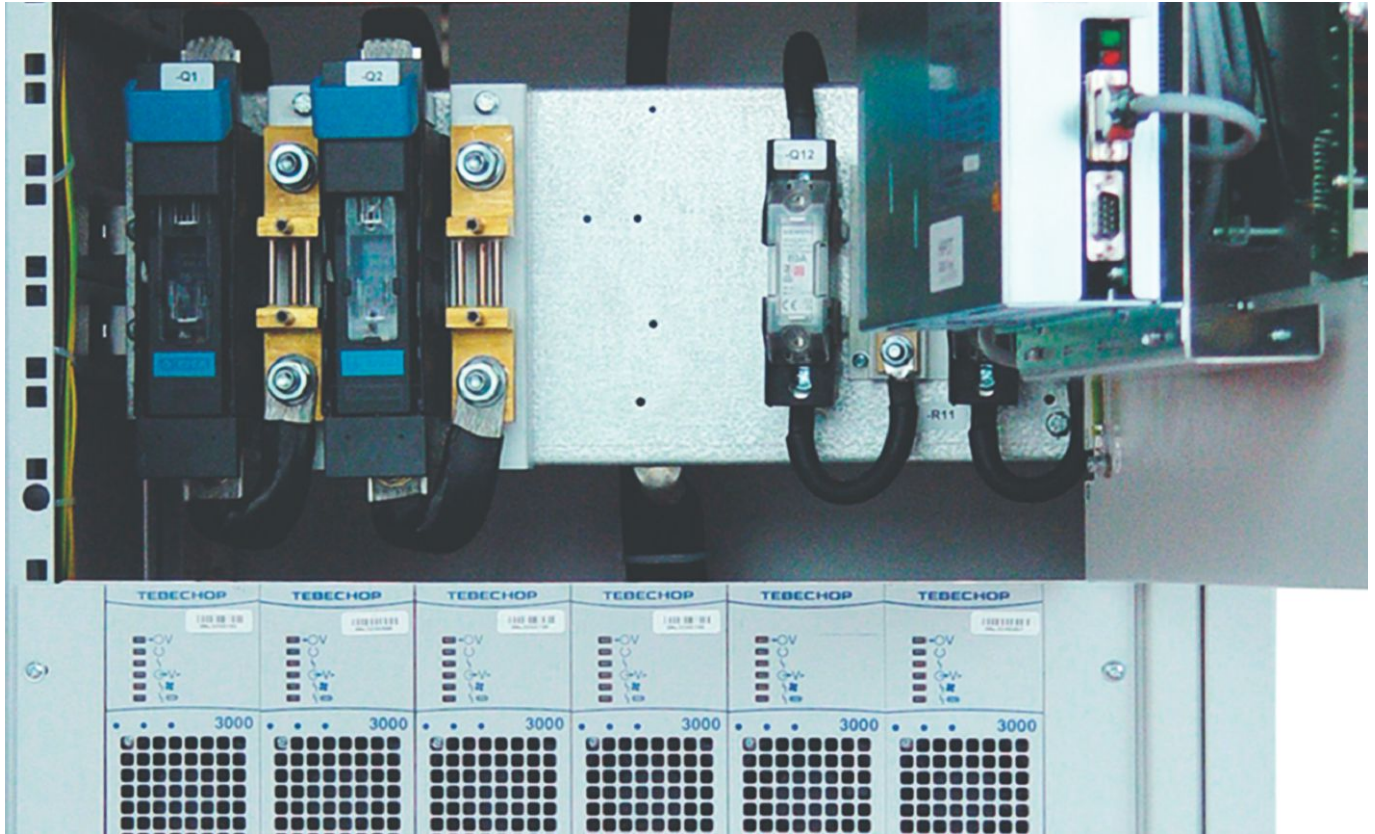
Product overview page 244



D0 Fuse-Switches, horizontal design

For D01 and D02 fuse-links and 10x38 cylindrical fuse-links. The tried-and-tested products by EFEN are compact and easy to install. Connections are user-friendly the tripped state is clearly indicated.

Product overview page 264



NH Fuse-Bases

A large and comprehensive product range by EFEN for easy and low-cost realization of distribution systems. The range comprises systems for base-plate, supporting-rail and 60 mm busbar mounting. Various application-specific designs and a full range of accessories for many connection types as well as partition walls, contact and fuse covers complement the offer.

System

EFEN NH fuse-bases represent a simple and easy way of integrating NH fuse-links into power distribution systems. The product range includes sizes 000 to 3L for common installation systems and also various application-specific designs. The portfolio is complemented by a comprehensive range of accessories.

Features

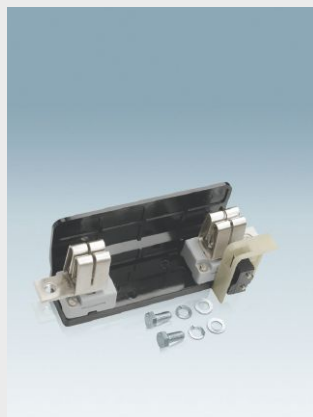
The specific benefit of open NH fuse-bases is their suitability for use with NH fuse-links with high power dissipation such as gR fuse-links used in current transformer or machinery protection. Accessories can be retrofitted to provide protection against accidental contact.



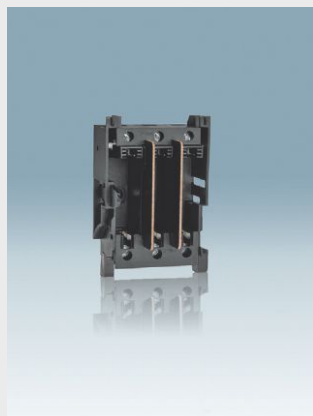
NH Fuse-Bases

- NH Fuse-Bases 690 V AC,
1-pole for baseplate and
supporting-rail mounting page 112
- NH Fuse-Bases 690 V AC,
3-pole for baseplate and
supporting-rail mounting page 113
- NH Fuse-Bases 690 V AC,
3-pole for baseplate and
busbar mounting,
SILAS series page 113
- NH Fuse-Bases 690 V AC,
1-pole for busbar mounting page 114
- NH Fuse-Bases 1500 V AC,
1-pole for baseplate mounting page 114
- Accessories for NH Fuse-Bases page 115
- Technical data page 117
- Solutions for measurement and
power management page 353

NH Fuse-Bases
up to 1500 V



NH Fuse-Base
3-pole, size 000, for baseplate and
supporting-rail mounting



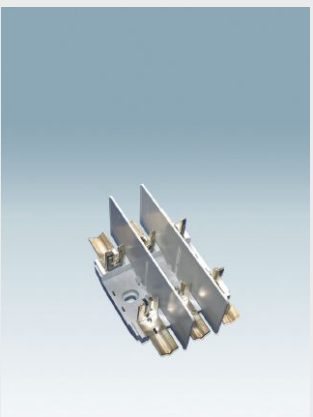
NH Fuse-Bases
1-pole version



NH Fuse-Base
for busbar mounting



NH Fuse-Bases
3-pole version



Accessories
Wide product range



NH Fuse-Bases
SILAS series



NH Fuse-Bases 690 V AC, 1-pole, for baseplate and supporting-rail mounting acc. to VDE 0636 T201 / IEC 60269-2-1

► Technical data, page 117

Power distribution components



33600-0020

NH Fuse-Bases 690 V AC

Features:

- 1-pole for baseplate mounting
- Without partition walls or contact covers
- All devices include connecting hardware (except V-clamps)

Designation	Size	Amps	PU	Product designation	Order no.
Multiple-use terminal with pressure plates for cables 1.5 – 50 mm ²	00	125	12	NH-UNT 00 125A U3U3	33600-0030
Flat terminal M8 for baseplate mounting, size 00, suitable for TPS fuses up to 250 A	00	160	10	NH-UNT 00 160A G4G4	33120-0010
Flat terminal M8	00	160	12	NH-UNT 00 160A L4L4	33600-0010
Clinch nut M8	00	160	12	NH-UNT 00 160A G4G4	33600-0020
Multiple-use terminal with pressure plates and contact prism for cables 1.5 – 70 mm ²	00	160	12	NH-UNT 00 160A U4U4	33600-0040
V-terminal (not including V-clamps)	00	160	12	NH-UNT 00 160A V2V2	33600-0050
Clamp for 2 x 35 mm ²	00	160	12	NH-UNT 00 160A S9S9	33600-0060
Flat terminal M10	1	250	3	NH-UNT 1 250A L5L5	33627-0010
Clinch nut M10	1	250	3	NH-UNT 1 250A G5G5	33627-0020
V-terminal (not including V-clamps)	1	250	3	NH-UNT 1 250A V2V2	33627-0050
Flat terminal M10	2	400	3	NH-UNT 2 400A L5L5	33632-0010
Clinch nut M10	2	400	3	NH-UNT 2 400A G5G5	33632-0020
V-terminal (not including V-clamps)	2	400	3	NH-UNT 2 400A V2V2	33632-0050
Flat terminal M12	3	630	3	NH-UNT 3 L6L6	33035-0020
Clinch nut M10	3	630	3	NH-UNT 3 G5G5	33036-0020
Flat terminal M8	00	160	12	NH-UNT 00 160A HB L4L4	33602-0010



33602-0020

NH Fuse-Bases 690 V AC

Features:

- 1-pole for supporting-rail mounting
- All devices include connecting hardware (except V-clamps)

Designation	Size	Amps	PU	Product designation	Order no.
Clinch nut M8	00	160	12	NH-UNT 00 160A HB G4G4	33602-0020
Multiple-use terminal with pressure plates for cables 1.5 – 50 mm ²	00	125	12	NH-UNT 00 125A HB U3U3	33602-0030
Multiple-use terminal with pressure plates and contact prism for cables 1.5 – 70 mm ²	00	160	12	NH-UNT 00 160A HB U4U4	33602-0040
V-terminal (not including V-clamps)	00	160	12	NH-UNT 00 160A HB V2V2	33602-0050
Clamp for 2 x 35 mm ²	00	160	12	NH-UNT 00 160A HB S9S9	33602-0060
Flat terminal M8 for supporting-rail mounting, size 00, suitable for TPS fuses up to 250 A	00	160	10	NH-UNT 00 160A HB G4G4	33120-0070

NH Fuse-Bases 690 V AC, 3-pole, for baseplate and supporting-rail mounting acc. to VDE 0636 T201 / IEC 60269-2-1

► Technical data, page 121



33608-0010

NH Fuse-Bases 690 V AC

Features:

- 3-pole for baseplate mounting
- Including 2 partition walls, no covers
- All devices include connecting hardware (except V-clamps)

Designation	Size	Amps	PU	Product designation	Order no.
Multiple-use terminal with pressure plates for cables 1.5 – 50 mm ²	00	125	4	NH-UNT 00 3P 125A U3U3	33608-0030
Flat terminal M8	00	160	4	NH-UNT 00 3P 160A L4L4	33608-0010
Clinch nut M8	00	160	4	NH-UNT 00 3P 160A G4G4	33608-0020
Multiple-use terminal with pressure plates and contact prism for cables 1.5 – 70 mm ²	00	160	4	NH-UNT 00 3P 160A U4U4	33608-0040
V-terminal (not including V-clamps)	00	160	4	NH-UNT 00 3P 160A V2V2	33608-0050
Clamp for 2 x 35 mm ²	00	160	4	NH-UNT 00 3P 160A S9S9	33608-0060
Flat terminal M10	1	250	1	NH-UNT 1 3P 250A L5L5	33631-0010
Clinch nut M10	1	250	1	NH-UNT 1 3P 250A G5G5	33631-0020
V-terminal (not including V-clamps)	1	250	1	NH-UNT 1 3P 250A V2V2	33631-0050
Flat terminal M10	2	400	1	NH-UNT 2 3P 400A L5L5	33633-0010
Clinch nut M10	2	400	1	NH-UNT 2 3P 400A G5G5	33633-0020
V-terminal (not including V-clamps)	2	400	1	NH-UNT 2 3P 400A V2V2	33633-0050
Flat terminal M12	3	630	1	NH-UNT 3 3P L6L6	33037-0010



33125-0010

NH Fuse-Bases 690 V AC, size 000

Features:

- 3-pole for supporting-rail mounting
- Suitable for baseplate mounting with supporting-rail mounting removed

Designation	Size	Amps	PU	Product designation	Order no.
Box terminal 1.5 – 50 mm ² , for supporting-rail mounting	000	160	10	NH-UNT 000 3P 160A HB R4R4	33125-0010

NH Fuse-Bases 690 V AC, 3-pole, for baseplate and busbar mounting, SILAS series

► Technical data, page 125



33300-0000

NH Fuse-Bases, SILAS series, 3-pole for baseplate mounting

Features:

- Compact base for baseplate mounting

Designation	Size	Amps	PU	Product designation	Order no.
Multiple-use terminal (bolt M8)	00	160	1	SILAS NH-UNT 00 3P G4G4	33300-0000
Box clamp 1.5 – 70 mm ²	00	160	1	SILAS NH-UNT 00 3P RR	33301-0000
Multiple-use terminal (bolt M10)	1	250	1	SILAS NH-UNT 1 3P G5G5	33320-0000
Multiple-use terminal (bolt M10)	2	400	1	SILAS NH-UNT 2 3P G5G5	33330-0000



33304-0000

NH Fuse-Bases, SILAS series, 3-pole, for busbar mounting on 60 mm systems with hook contacting

Features:

- Compact base for busbar mounting

Designation	Size	Amps	PU	Product designation	Order no.
Multiple-use terminal (bolt M8)	00	160	1	SILAS NH-UNT 00 SB 3P G4	33304-0000
Box clamp 1.5 – 70 mm ²	00	160	1	SILAS NH-UNT 00 SB 3P R	33305-0000
Multiple-use terminal (bolt M10)	1	250	1	SILAS NH-UNT 1 SB 60 3P G5	33321-0000
Multiple-use terminal (bolt M10)	2	400	1	SILAS NH-UNT 2 SB 60 3P G5	33331-0000

NH Fuse-Bases 690 V AC, 1-pole, for busbar mounting acc. to VDE 0636 T201 / IEC 60269-2-1

► Technical data, page 120



33003-0020

NH Fuse-Bases 690 V AC

Features:

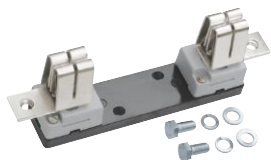
- 1-pole, for contacting on busbar systems according to DIN 43870

Designation	Size	Amps	PU	Product designation	Order no.
Flat terminal M8, clamp mounting	00	160	10	NH-UNT 00 160A SB F1L4	33001-0020
Flat terminal M8 for busbar mounting, size 00, suitable for TPS fuses up to 250 A	00	160	10	A NH-UNT 00 160A SB F2L4	33003-0020
Flat terminal M12, screw mounting	1-3	250-630	3	NH-UNT 1-3 SB SH L6	33135-0010

Power distribution components

NH Fuse-Bases 1500 V AC, 1-pole for baseplate mounting

► Technical data, page 120



33039-0010

NH Fuse-Bases 1500 V AC, 1-pole, acc. to VDE 0636 T201 / IEC 60269-2-1

Features:

- NH fuse-bases, 1-pole, for use with NH fuse-links of size 3L

Designation	Size	PU	Product designation	Order no.
Clinch nut M12, without microswitch	3L	1	NH-UNT 3L 1500V G6G6	33039-0010
Clinch nut M12, with microswitch	3L	1	A NH-UNT 3L 1500V MS G6G6	33041-0010

Accessories for NH Fuse-Bases 690 V AC acc. to VDE 0636 T201 / IEC 60269-2-1

► Technical data, on demand



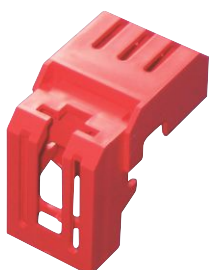
90181-0100

Partition wall

Features:

- For NH fuse-bases (series 336 ...)

Designation	Size	PU	Product designation	Order no.
Partition wall, clamp contacting, for series 33003 ...	00	1	A TRENNWAND	30744-0100
Partition wall, hook contacting, for series 33003 ...	00	1	A TRENNWAND GR.00	30780-0100
Partition wall, short, 130 mm	00	1	TRENNWAND UNT 00 KURZ 130MM	90181-0100
Partition wall, long, V-clamp, 152 mm	00	1	TRENNWAND UNT 00 LANG V2 152MM	90181-0200
Partition wall, 210 mm	1	1	TRENNWAND UNT 1 210MM	90184-0100
Partition wall, 240 mm	2	1	TRENNWAND UNT 2 240MM	90184-0200
Partition wall, for series 33135, 33035, 33036, 33037	3	1	TRENNWAND GR.3	30846-0100



90182-0100

Contact covers

Features:

- For NH fuse-bases (series 336 ...)

Designation	Size	PU	Product designation	Order no.
Contact cover, for series 33003 ...	00	1	SCHUTZHAUBE GR.00	31009-0100
Contact cover, short	00	1	KONTAKTABDECKUNG UNT 00 KURZ	90182-0100
Contact cover, long, for V-clamp	00	1	KONTAKTABDECKUNG UNT 00 LANG V2	90182-0200
Contact cover	1	1	KONTAKTABDECKUNG UNT 1	90185-0100
Contact cover	2	1	KONTAKTABDECKUNG UNT 2	90185-0200



90186-0100

Fuse cover

Features:

- For NH fuse-bases (series 336 ...)

Designation	Size	PU	Product designation	Order no.
Fuse cover	00	1	SICHERUNGSABDECKUNG UNT 00	90183-0100
Fuse cover	1-2	1	SICHERUNGSABDECKUNG UNT 1-2	90186-0100
Contact cover with microswitch for fuse-monitoring of NH Fuse-Bases of series 33120...	00	1	KONTAKTABDECKUNGEN SU FÜR UNT GR.00	36889-0010



85246-0100

V-clamp

Features:

- For NH fuse-bases (series 336 ...)

Designation	Size	Amps	PU	Product designation	Order no.
V-clamp 35 – 70 mm ²	00	160	1	KLEMME 35-70 SM	85246-0100
V-clamp up to 240 mm ²	1-3	630	1	Klemme V2 MD 240sm/300rm	85542-0100



33680-0010

Neutral bar

Designation	Size	Amps	PU	Product designation	Order no.
Neutral bar with flat terminal M8	00	160	1	NULLSCHIENE 00 L4L4	33680-0010

Accessories for NH Fuse-Bases, SILAS series

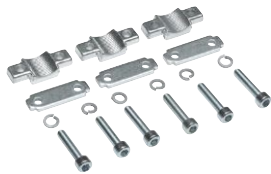
► Technical data, on demand



36996-0010

Fuse cover for SILAS series

Designation	Size	PU	Product designation	Order no.
Fuse cover size 00	00	1	SICHERUNGSABDECKUNG NH-UNT GR.00 SILAS	36996-0010



36934-0010

Pressure plate for multiple-use terminal, SILAS series

Features:

- Simple addition for the connection of Cu conductors, se, sm and laminated copper (size 1 and 2 only)
- 1 kit = 3 pieces

Designation	Size	Amps	PU	Product designation	Order no.
6 - 50 mm ²	00	160	3	1SATZ (3STÜCK) DRUCKSTÜCKE GR.00 SILAS	36934-0010
70 - 150 mm ²	1	250	3	1SATZ (3STÜCK) DRUCKSTÜCKE GR.1 SILAS	36936-0010
120 - 240 mm ²	2	400	3	1SATZ (3STÜCK) DRUCKSTÜCKE GR.2 SILAS	36997-0010



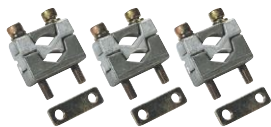
36975-0010

Pressure plate with contact prism for multiple-use terminal, SILAS series

Features:

- Simple addition for the connection of Cu and Al conductors
- 1 kit = 3 pieces

Designation	Size	Amps	PU	Product designation	Order no.
6 - 70 mm ²	00	160	3	1SATZ (3STÜCK) KONTAKTPRISMA GR.00 SILAS	36975-0010
70 - 150 mm ²	1	250	3	1SATZ (3STÜCK) KONTAKTPRISMEN GR.1 SILAS	36942-0010
120 - 240 mm ²	2	400	3	1SATZ (3STÜCK) KONTAKTPRISMEN GR.2 SILAS	36943-0010
150 - 300 mm ²	3	630	3	1SATZ (3STÜCK) DRUCKSTÜCKE GR.3 SILAS	36991-0010



36982-0010

Pressure plates with contact prism for 2 conductors, multiple-use terminal, SILAS series

Features:

- Simple addition for the connection of 2 Cu and Al conductors
- 1 kit = 3 pieces

Designation	Size	Amps	PU	Product designation	Order no.
2 x 35 - 70 mm ²	1	250	3	1SATZ (3ST) KONTAKTPR.2LEITER GR.1 SILAS	36982-0010
2 x 70 - 120 mm ²	2	400	3	1SATZ (3ST) KONTAKTPR.2LEITER GR.2 SILAS	36983-0010
2 x 150 - 185 mm ²	3	630	3	1SATZ (3ST) KONTAKTPR.2LEITER GR.3 SILAS	36984-0010



36937-0010

Supporting-rail mounting

Features:

- For 2 supporting rails with a spacing of 125 or 150 mm

Designation	Size	PU	Product designation	Order no.
Quick-mount kit for 2 supporting rails with a spacing of 125 or 150 mm	00 - 1	1	SCHNELLBEFESTIGUNG 125/150 GR.00/1 SILAS	36937-0010



36994-0010

Box clamp

Features:

- For the simple conversion from multiple-use terminal to box clamp
- 1 kit = 3 pieces

Designation	Size	Amps	PU	Product designation	Order no.
35 - 150 mm ²	1	250	3	1SATZ (3STÜCK) RAHMENKLEMME GR.1 SILAS	36992-0010
95 - 300 mm ²	2 - 3	630	3	1SATZ (3STÜCK) RAHMENKLEMME GR.2+3 SILAS	36994-0010

NH Fuse-Bases 690 V AC

Product overview of standard Fuse-Bases

Size	00	1	2	3
Rated current (A)	125/160	250	400	630
1-pole, baseplate mounting	•	•	•	•
3-pole, baseplate mounting	•	•	•	•
Busbar supports, size 00 – 3	•	•	•	•
Supporting-rail mounting	•			

Product overview of special designs

Size	000	3L
1-pole, 1500 V AC		•
3-pole, supporting-rail mounting	•	

Product overview of EFEN SILAS Fuse-Bases, 3-pole

Size	00	1	2
Rated current (A)	125/160	250	400
Baseplate mounting	•	•	•
Busbar mounting	•	•	•

Technical data acc. to VDE 0636 T201 / IEC 60269-2-1

Suitable for NH fuse-links according to DIN 43620/1	Size	000	00	1	2	3	3L
Rated operating current I_N	A	125	160	250	400	630	630
Rated voltage U_N	V	690					
Current type and rated frequency		AC 50Hz					
Rated isolation voltage U_i	V	690					
r.m.s value of the power-frequency test voltage for 60s	V	2500					
Maximum cut-out current / short-circuit withstand-current (when protected by NH fuse-links)	kA	25	25	38	48	70	25
Permissible ambient temperature	°C	-25 to +55					
Degree of protection acc. to DIN/EN 60529 / VDE 0470 T1	IP	IP 3x	IP 00				
Maximum permissible power dissipation of the NH fuse-link	W	12	12	32	45	60	132
Weight without fuse-links, 1-pole	kg	-	0,14	0,34	0,41	0,62	1,6
Weight without fuse-links, 3-pole	kg	0,33	0,52	1,03	1,22	-	-
Weight without fuse-links, 3-pole, SILAS series	kg	-	0,50	1,4	2,10	-	-

Tightening torques for terminals and busbar mounting

Size	NH 000	NH 00	NH 1	NH 2	NH 3
Type of terminal	Tightening torques (Nm)				
Multiple-use terminal (screw terminal)	-	12	20	20	20
Pressure plates with bolts	-	3	6	8	8
Pressure plates with bolts and contact prisms	-	3	6	8	8
Box clamp	-	6	6	8	8
Busbar contacting	4,5	4,5	12	20	20

NH Fuse-Bases 1-pole for baseplate mounting / supporting-rail mounting

NH Fuse-Bases, size 00 – 3, for baseplate mounting

Description	Size	Amps I _n	Designation	PU	Weight in kg	Order no.
Multiple-use terminal with pressure plates for cable 1.5 – 50 mm ²	00	125	NH-UNT 00 125A U3U3	12	0,14	33600-0030
Flat terminal, bolt and nut M8	00	160	NH-UNT 00 160A L4L4	12	0,14	33600-0010
Clinch nut and bolt M8	00	160	NH-UNT 00 160A G4G4	12	0,14	33600-0020
Multiple-use terminal with pressure plates and contact prism for cable 1.5 – 70 mm ²	00	160	NH-UNT 00 160A U4U4	12	0,14	33600-0040
V-terminal (not including V-clamps)	00	160	NH-UNT 00 160A V2V2	3	0,14	33600-0050
Clamp for 2 x 35 mm ²	00	160	NH-UNT 00 160A S9S9	3	0,14	33600-0060
Neutral bar	00	160	NULLSCHIENE 00L4L4	10	0,120	33680-0010
Flat terminal M8	00	160	NH-UNT 00 160A G4G4	10	0,120	33120-0010
Flat terminal, bolt and nut M10	1	250	NH-UNT 1 250A L5L5	3	0,34	33627-0010
Clinch nut and bolt M10	1	250	NH-UNT 1 250A G5G5	3	0,34	33627-0020
V-terminal (not including V-clamps)	1	250	NH-UNT 1 250A V2V2	3	0,34	33627-0050
Flat terminal, bolt and nut M10	2	400	NH-UNT 2 400A L5L5	3	0,41	33632-0010
Clinch nut and bolt M10	2	400	NH-UNT 2 400A G5G5	3	0,41	33632-0020
V-terminal (not including V-clamps)	2	400	NH-UNT 2 400A V2V2	3	0,41	33632-0050
Flat terminal, bolt and nut M12	3	630	NH-UNT 3 L6L6	3	0,62	33035-0020
with clinch nut M10	3	630	NH-UNT 3 G5G5	3	0,62	33036-0020

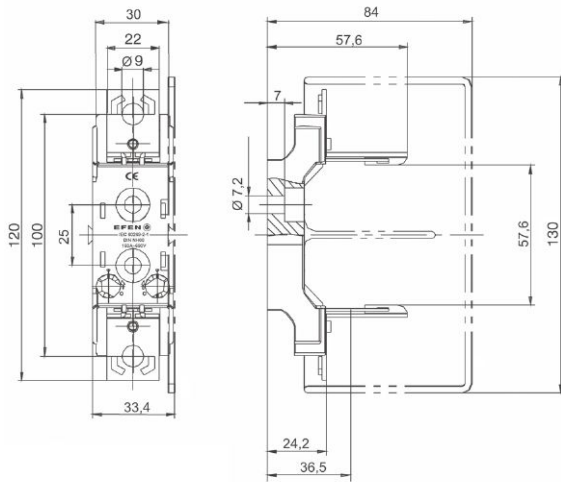
NH Fuse-Bases size 00, for supporting-rail mounting

Description	Size	Amps I _n	Designation	PU	Weight in kg	Order no.
Flat terminal, bolt and nut M8	00	160	NH-UNT 00 160A HB L4L4	12	0,14	33602-0010
Clinch nut and bolt M8	00	160	NH-UNT 00 160A HB G4G4	12	0,14	33602-0020
Multiple-use terminal with pressure plates for cables 1.5 – 50 mm ²	00	125	NH-UNT 00 125A HB U3U3	12	0,14	33602-0030
Multiple-use terminal with pressure plates and contact prism for cables 1.5 – 70 mm ²	00	160	NH-UNT 00 160A HB U4U4	12	0,14	33602-0040
V-terminal (not including V-clamps)	00	160	NH-UNT 00 160A HB V2V2	12	0,14	33602-0050
Clamp for 2 x 35 mm ²	00	160	NH-UNT 00 160A HB S9S9	12	0,14	33602-0060
Flat terminal M8	00	160	NH-Unt 00 160 A HB G4G4	10	0,130	33120-0070

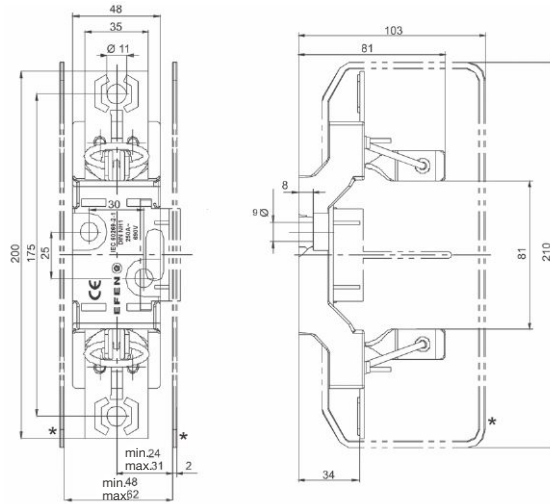
NH Fuse-Bases

1-pole for baseplate mounting / supporting-rail mounting

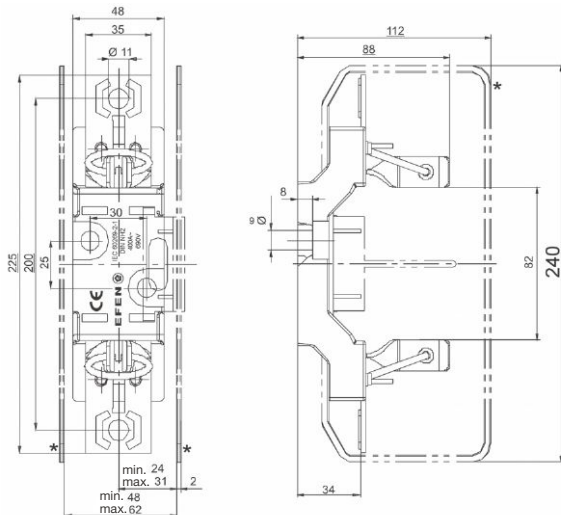
Size 00, series 336....



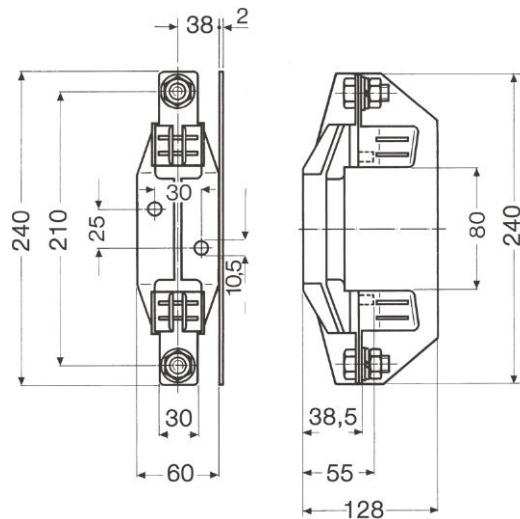
Size 1, series 336....



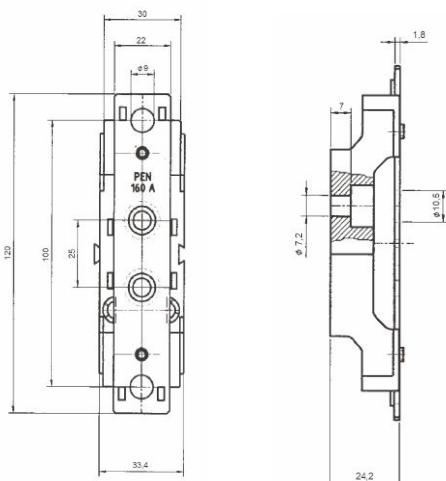
Size 2, series 336....



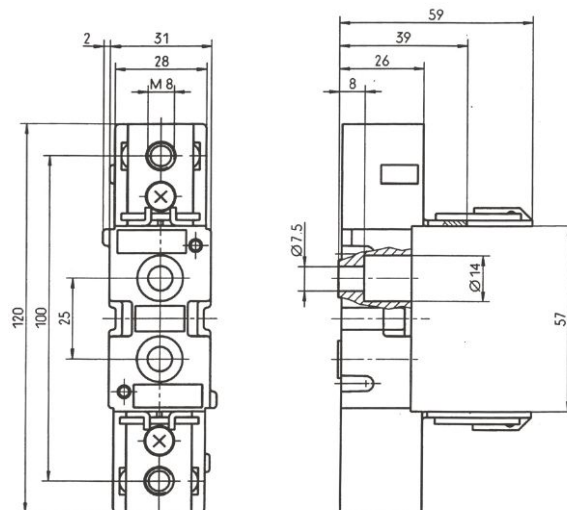
Size 3, series 3303....



Neutral bar, size 00



NH Fuse-Base, size 00 33120....



Power distribution components

NH Fuse-Bases 1-pole for busbar mounting / baseplate mounting

NH Fuse-Bases size 00 – 3, for busbar mounting acc. to DIN 43870

Description	Size	Amps I _n	Designation	PU	Weight in kg	Order no.
Flat terminal M8, clamp mounting	00	160	NH-UNT 00 160A SB F2L4	10	0,14	33003-0020
Flat terminal M8, hook-mounting	00	160	NH-UNT 00 160A SB F1L4	10	0,14	33001-0020
Flat terminal M12, contact cover included	1-3	250-630	NH-UNT 1-3 SB SH L6	3	0,14	33135-0010

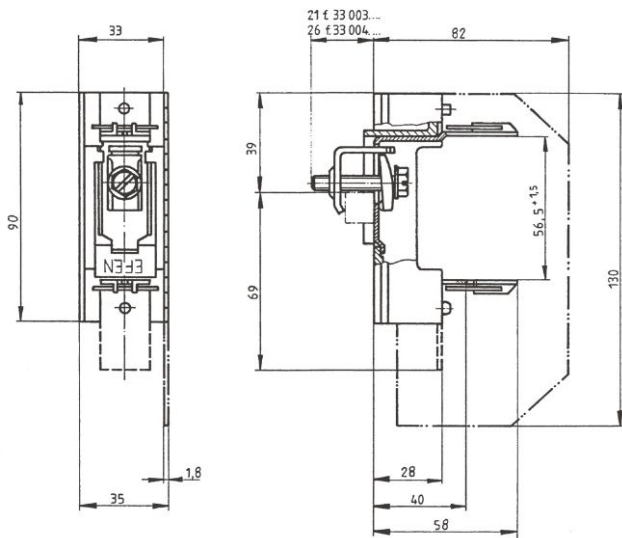
NH Fuse-Bases, size 3L, 1500 V AC, for baseplate mounting

Description	Size	Amps I _n	Designation	PU	Weight in kg	Order no.
Clinch nut M12, without microswitch	3L	425	NH-UNT 3L 1500 V G6 G6	1	1,24	33039-0010
Clinch nut M12, with microswitch	3L	425	NH-UNT 3L 1500 V Ms G6 G6	1	1,24	33041-0010

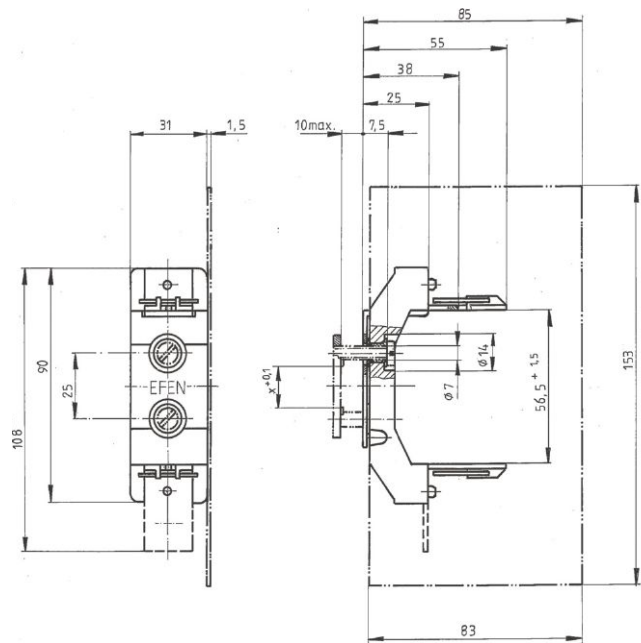
NH Fuse-Bases

1-pole for busbar mounting / baseplate mounting

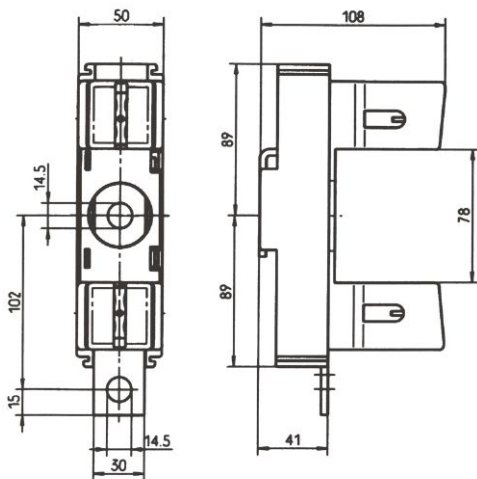
Size 00, 33003-0020



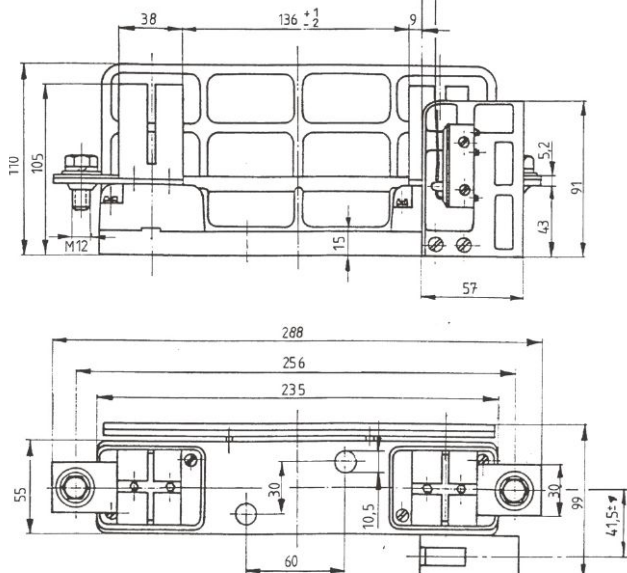
Size 00, 33001-0020



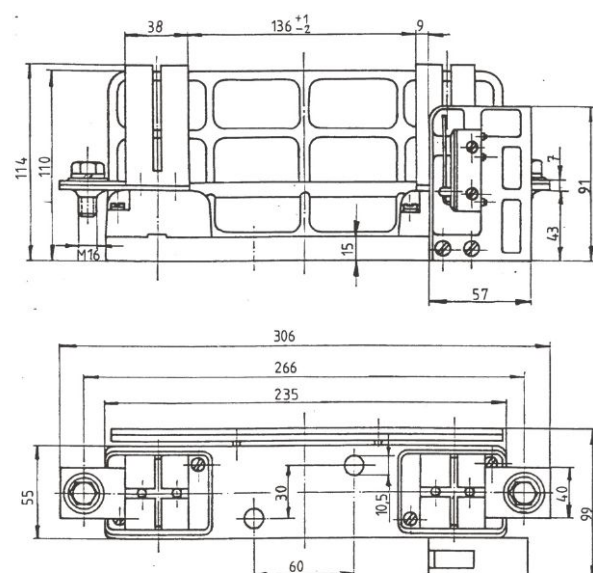
Size 3, 33135-0010



Size 3L clinch nut M12, 425 A, 33039-0010



Clinch nut M16, 630 A, 33041-0010



Power distribution components

NH Fuse-Bases 3-pole for baseplate or supporting-rail mounting

NH Fuse-Bases 690 V AC, 3-pole, for baseplate mounting

Description	Size	Amps I _n	Designation	PU	Weight in kg	Order no.
Flat terminal M8	00	160	NH-UNT 00 3P 160A L4L4	4	0,52	33608-0010
Clinch nut M8	00	160	NH-UNT 00 3P 160A G4G4	4	0,52	33608-0020
Multiple-use terminal with pressure plates for cables 1.5 – 50 mm ²	00	125	NH-UNT 00 3P 125A U3U3	4	0,52	33608-0030
Multiple-use terminal with pressure plates and contact prism for cables 1.5 – 70 mm ²	00	160	NH-UNT 00 3P 160A U4U4	4	0,52	33608-0040
V-terminal (not including V-clamps)	00	160	NH-UNT 00 3P 160A V2V2	4	0,52	33608-0050
Clamp for 2 x 35 mm ²	00	160	NH-UNT 00 3P 160A S9S9	4	0,52	33608-0060
Flat terminal M10	1	250	NH-UNT 1 3P 250A L5L5	1	1,03	33631-0010
Clinch nut M10	1	250	NH-UNT 1 3P 250A G5G5	1	1,03	33631-0020
V-terminal (not including V-clamps)	1	250	NH-UNT 1 3P 250A V2V2	1	1,03	33631-0050
Flat terminal M10	2	400	NH-UNT 2 3P 400A L5L5	1	1,22	33633-0010
Clinch nut M10	2	400	NH-UNT 2 3P 400A G5G5	1	1,22	33633-0020
V-terminal (not including V-clamps)	2	400	NH-UNT 2 3P 400A V2V2	1	1,22	33633-0050
Flat terminal M12	3	630	NH-UNT 3 3P L6L6	1	2,57	33037-0010

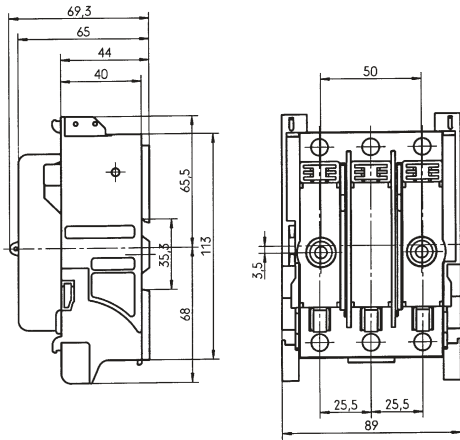
NH Fuse-Bases 690 V AC, 3-pole, for supporting-rail mounting

Description	Size	Amps I _n	Designation	PU	Weight in kg	Order no.
Box clamp 1.5 – 50 mm ²	000	100	NH-UNT 000 3P 160A HB R4R4	10	0,33	33125-0010

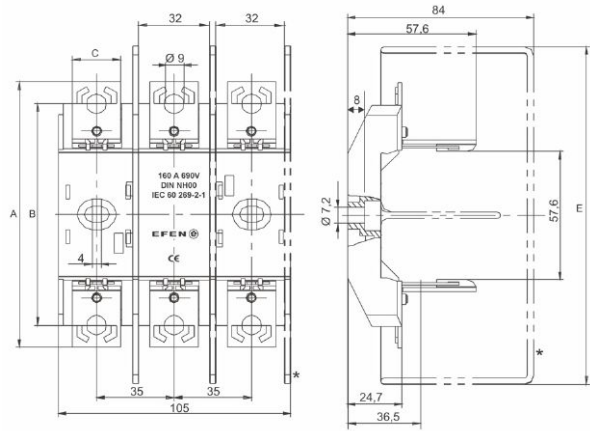
NH Fuse-Bases

3-pole for baseplate or supporting-rail mounting

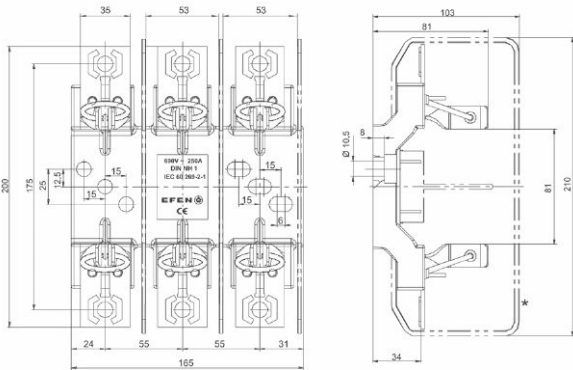
Size 000, 33125-0010



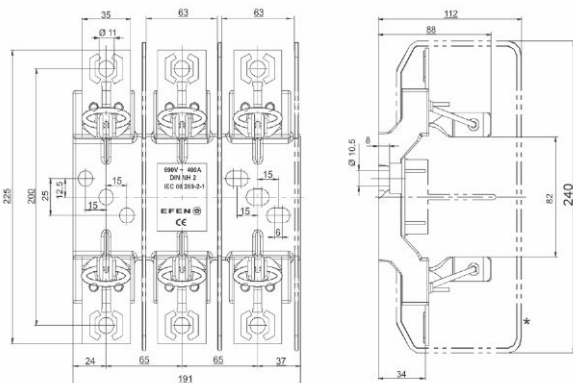
Size 00, series 336...



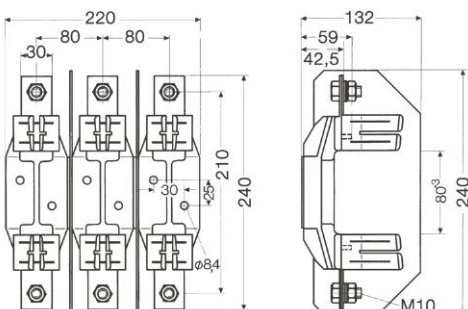
Size 1, series 336...



Size 2, series 336...



Size 3, 33037-0010



Power distribution components

NH Fuse-Bases 690 V AC 3-pole, size 00-2, for baseplate and busbar mounting, SILAS series

For baseplate mounting

Description	Size	Amps I _n	Designation	PU	Weight in kg	Order no.
Multiple-use terminal (bolt M8)	00	160	SILAS NH-UNT 00 3P G4G4	1	0,50	33300-0000
Box clamp 2.5 – 95 mm ²	00	160	SILAS NH-UNT 00 3P RR	1	0,60	33301-0000
Multiple-use terminal (bolt M10)	1	250	SILAS NH-UNT 1 3P G5G5	1	1,40	33320-0000
Multiple-use terminal (bolt M10)	2	400	SILAS NH-UNT 2 3P G5G5	1	2,10	33330-0000

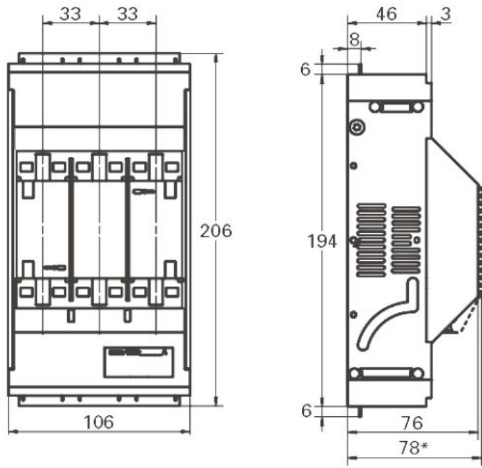
For busbar mounting on 60 mm systems with hook contacting

Description	Size	Amps I _n	Designation	PU	Weight in kg	Order no.
Multiple-use terminal (bolt M8)	00	160	SILAS NH-UNT 00 SB 3P G4	1	0,60	33304-0000
Box clamp 2.5 – 95 mm ²	00	160	SILAS NH-UNT 00 SB 3P R	1	0,60	33305-0000
Multiple-use terminal (bolt M10)	1	250	SILAS NH-UNT 1 SB 60 3P G5	1	1,50	33321-0000
Multiple-use terminal (bolt M10)	2	400	SILAS NH-UNT 2 SB 60 3P G5	1	2,40	33331-0000

NH Fuse-Bases 690 V AC

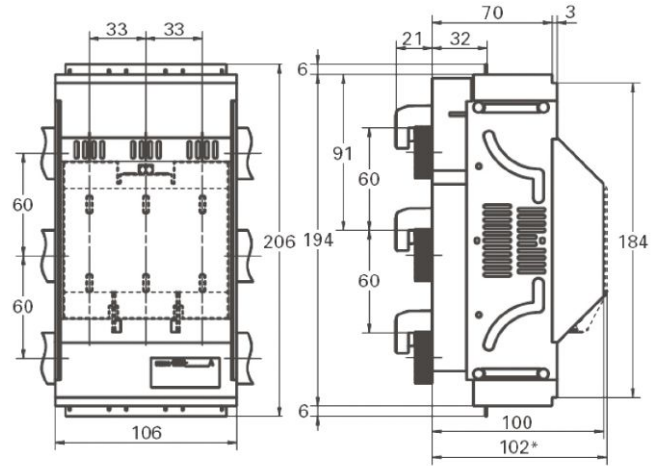
3-pole, size 00-2, for baseplate and busbar mounting, SILAS series

Baseplate mounting, size 00



* = with fuse cover

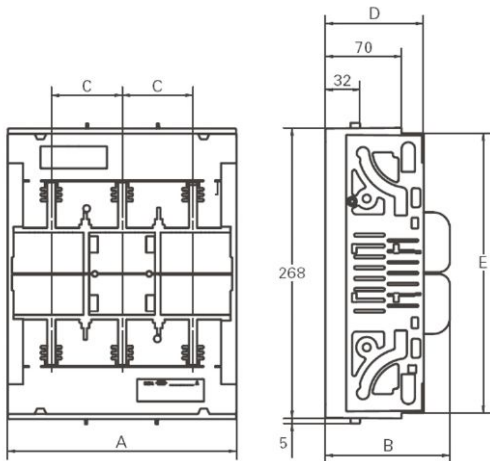
Busbar mounting, size 00



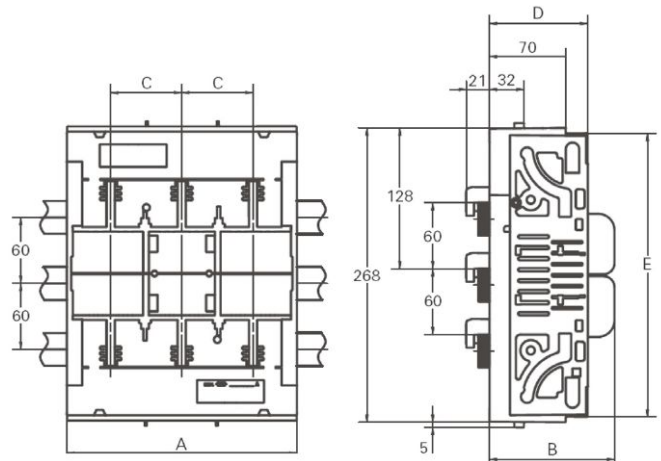
* = with fuse cover

Power distribution components

Baseplate mounting, size 1 and 2



Busbar mounting, size 1 and 2



	A	B	C	D	E
Size 1	184	96	57	70	258
Size 2	210	114	65	90	258



NH Fuse-Switches, horizontal design

The NH Fuse-Switches, horizontal design series by EFEN offers plant designers and switchgear manufacturers a modular system with reliable and easy-to-install switching devices. EFEN horizontal-design NH fuse-switches are nationally and internationally approved and offer innovative solutions to meet customer demands.

System

All devices of sizes 000 to 3 have a uniform installation depth or field cover support and offer perfect protection against accidental contact for ultimate safety and visual appeal of the power distribution system. The wide range of accessories offers a multitude of modification and upgrade options to suit any need.

Features

The SILAS series offers innovative solutions for the application of horizontal-design NH fuse-switches in power distribution systems. Thanks to the matched sizes of the devices this product range is one of the most innovative on the market.



NH Fuse-Switches, horizontal design

NH Fuse-Switches, horizontal design, 1- up to 4-pole, Size 000 bis 4a for baseplate mounting and mounting on supporting rails	page 128
NH Fuse-Switches, horizontal design, 1-pole, Size 00 for busbar mounting	page 129
NH Fuse-Switches, horizontal design, 3-pole, Size 000 up to 3 for busbar mounting	page 130
NH Fuse-Switches, horizontal design, 1-pole for DC Applications up to 550 V	page 133
NH Fuse-Switches, horizontal design, 2- and 4-pole for DC Applications up to 1200 V	page 135
DC Fuse-Switch 10 x 38	page 136
DC-Disconnecter	page 137
Accessories	page 140
Technical Data	page 144
Solutions for measurement and power management	page 338

Easy To Install

Mounting on supporting rails



Optimal protection against accidental contact

Uniform installation depth and field cover support



Revolvable hook

Top or bottom terminals selectable



Compact design

TPS fuse-switch specifically for DC applications up to 80 V



NH Fuse-Switches, horizontal design, 690 V AC, 1-pole to 4-pole switching, for baseplate and supporting-rail mounting

NH fuse-switches, horizontal design, for NH fuse-links acc. to IEC/VDE standards

- Compact design
- Several connection options
- Modular design

► Technical data, page 145



33136-0010

NH Fuse-Switches, horizontal design, 690 V AC, 1-pole, for baseplate mounting

Designation	Size	Amps	PU	Product designation	Order no.
Multiple-use terminal (bolt M8), baseplate mounting	00	160	2	NH-LATR 00IN 1P U5U5	33136-0010

Power distribution components



34076-0000

NH Fuse-Switches, horizontal design, 690 V AC, 3-pole, for baseplate mounting

Designation	Size	Amps	PU	Product designation	Order no.
Box clamp 1.5 – 50 mm ²	000	100	10	NH-LATR 000 R4R4	34050-0000
Box clamp 2.5 – 50 mm ² , narrow version - 53 mm	000	100	1	SILAS NH000 R4R4	34040-0007
Box clamp 2.5 – 95 mm ²	00	160	1	SILAS NH00 R5R5	34076-0000
Multiple-use terminal (bolt M8)	00	160	1	SILAS NH00 U5U5	34077-0000
Multiple-use terminal (bolt M10)	1	250	1	SILAS NH1 U2U2	34170-0000
Box clamp 35 – 150 mm ²	1	250	1	SILAS NH1 RR	34175-0000
Multiple-use terminal (bolt M10)	2	400	1	SILAS NH2 U2U2	34270-0000
Box clamp 95 – 300 mm ²	2	400	1	SILAS NH2 RR	34275-0000
Multiple-use terminal (bolt M10)	3	630	1	SILAS NH3 U2U2	34370-0000
Box clamp 95 – 300 mm ²	3	630	1	SILAS NH3 RR	34375-0000
Screw terminal M16, 1-pole switching	4a	1250	1	NH-LATR 4A EP L8L8	34400-0000
Screw terminal M16, 3-pole switching	4a	1250	1	NH-LATR 4A 3P L8L8	34400-1010
Screw terminal 2 x M12, 1-pole switching	4a	1600	1	NH-LATR 4A EP 1600A L6L6	34400-1040
Screw terminal 2 x M12, 3-pole switching	4a	1600	1	NH-LATR 4A 3P 1600A L6L6	34400-1050



34050-0070

NH Fuse-Switches, horizontal design, 690 V AC, 3-pole, prepared for supporting-rail mounting

Designation	Size	Amps	PU	Product designation	Order no.
Box clamp 1.5 – 50 mm ²	000	100	10	NH-LATR 000 HB R4R4	34050-0070
Multiple-use terminal (bolt M8)	00	160	10	NH-LATR 00IN HB U5U5	34060-0070
Box clamp 1.5 – 50 mm ²	00	125	10	NH-LATR 00IN HB R2R2	34065-0070



34060-4000

NH Fuse-Switches, horizontal design, 690 V AC, 4-pole, for baseplate mounting

Designation	Size	Amps	PU	Product designation	Order no.
Multiple-use terminal (bolt M8)	00	160	1	NH-LATR 00IN 4P U5U5	34060-4000
Multiple-use terminal (bolt M10)	1	250	1	NH-LATR 1IN 4P U2U2	34162-4000
Multiple-use terminal (bolt M10)	2	400	1	NH-LATR 2IN 4P U2U2	34262-4000
Multiple-use terminal (bolt M10)	3	630	1	NH-LATR 3IN 4P U2U2	34362-4000
Screw terminal M16, 1-pole switching	4a	1250	1	NH-LATR 4A 4P EP L8L8	34440-0000

NH Fuse-Switches, horizontal design, 1 to 4-pole, 690 V AC and 1500 V AC, for baseplate and busbar mounting

NH fuse-switches, horizontal design, for NH fuse-links acc. to IEC/VDE standards

- Compact design
- Several connection options
- Modular design

► Technical data, page 167



34060-4010

NH Fuse-Switches, horizontal design, with pre-connecting solid-link on right-hand side, for baseplate mounting

Designation	Size	Amps	PU	Product designation	Order no.
Multiple-use terminal (bolt M8)	00	160	1	NH-Latr 00IN 4p Vr U5U5	34060-4010
Multiple-use terminal (bolt M10)	1	250	1	NH-Latr 1IN 4p Vr U2U2	34162-4010
Multiple-use terminal (bolt M10)	2	400	1	NH-LATR 2IN 4P VR U2U2	34262-4010
Multiple-use terminal (bolt M10)	1	630	1	NH-Latr 3IN 4p Vr U2U2	34362-4010



34360-1000

NH Fuse-Switches, horizontal design, 690 V AC, 3-pole, for baseplate mounting, 630 kVA and 1000-A feed disconnecter

Designation	Size	Amps	PU	Product designation	Order no.
Screw terminal M12	3	630 kVA	1	NH-LATR 3IN 630KVA G6G6	34360-1000
Screw terminal M12, with integrated solid-links 1000 A	3	1000	1	NH-TRENNER 3IN 1000A G6G6	34360-0100



34762-1020

NH Fuse-Switches, horizontal design, 1000/1500 V AC, 3-pole, for baseplate mounting

Designation	Size	Amps	PU	Product designation	Order no.
Multiple-use terminal (bolt M10), 1000 V	3	500	1	NH-LATR 3 IN 1000V 500A U2U2	34762-1020
Multiple-use terminal (bolt M10), 1500 V, for NH fuse-links of type 3L only	3L	500	1	NH-LATR 3L IN 1500V 500A U2U2	34762-1010



33136-0010

NH Fuse-Switches, horizontal design, for busbar mounting

Designation	Size	Amps	PU	Product designation	Order no.
Multiple-use terminal (bolt M8), busbar mounting	00	160	2	NH-LATR 00IN 1P SB U5	33137-0010

NH Fuse-Switches, horizontal design, 690 V AC, 3-pole switching, for busbar mounting – 40/12 mm system

Horizontal-design NH fuse-switches for busbar mounting of the SILAS series feature a consistent installation depth and are easily and flexibly

installed in accordance with customer requirements.

► Technical data, page 157



39000-0007

NH Fuse-Switches, horizontal design, 690 V AC for 40/12 mm busbar systems, installation depth 70 mm

Features:

- Optimal labeling
- Integrated hand protection
- Easy and quick installation on busbars
- Size 000 and 00, plug-in contacting
- Size 1 and 2, hook contacting, non-reversible, top terminal

Designation	Size	Amps	PU	Product designation	Order no.
Box clamp 2.5 – 50 mm ² , bottom terminal, narrow version – 53 mm	000	100	1	SILAS SB NH000 40 AU R4	39000-0007
Box clamp 2.5 – 50 mm ² , top terminal, narrow version – 53 mm	000		1	SILAS SB NH000 40 AO R4	39001-0007
Box clamp 2.5 – 95 mm ²	00	160	1	SILAS SB NH00 40 EB70 R5	39020-0000
Multiple-use terminal (bolt M8)	00	160	1	SILAS SB NH00 40 EB70 U5	39021-0000
Multiple-use terminal (bolt M10)	1	250	1	SILAS SB NH1 40 EB70 U2	39060-0000
Box clamp 35 – 150 mm ²	1	250	1	SILAS SB NH1 40 EB70 R	39061-0000
Multiple-use terminal (bolt M10)	2	400	1	SILAS SB NH2 40 EB70 AO U2	39078-0000
Box clamp 95 – 300 mm ²	2	400	1	SILAS SB NH2 40 EB70 AO R	39079-0000

NH Fuse-Switches, vertical design, 690 V AC, 3-pole switching, for busbar mounting – 60 mm system

The horizontal-design NH fuse-switches of the SILAS series yield many benefits for the installation in 60 mm busbar systems.

- Reversible hook contacting for top or bottom terminal position
- Narrowest device worldwide within this system (size 000)
- Consistent field cover height for all sizes

► Technical data, page 158



39040-0000

NH Fuse-Switches, horizontal design, 690 V AC, for 60 mm busbar systems, 32 mm installation depth, hook contacting, for combination with D0 elements

Designation	Size	Amps	PU	Product designation	Order no.
Box clamp 2.5 – 50 mm ² , bottom terminal, narrow version – 53 mm	000	100	1	SILAS SB NH000 60 AU R4	39010-0007
Box clamp 2.5 – 50 mm ² , top terminal, narrow version – 53 mm	000	100	1	SILAS SB NH000 60 AO R4	39011-0007
Box clamp 2.5 – 95 mm ²	00	160	1	SILAS SB NH00 60 EB32 R5	39040-0000



39050-0000

NH Fuse-Switches, horizontal design, 690 V AC, for 60 mm busbar systems, 70 mm installation depth, hook contacting

Designation	Size	Amps	PU	Product designation	Order no.
Box clamp 2.5 – 50 mm ² , bottom terminal, narrow version – 53 mm	000	100	1	SILAS SB NH000 60 AU R4	39010-0007
Box clamp 2.5 – 50 mm ² , top terminal, narrow version – 53 mm	000	100	1	SILAS SB NH000 60 AO R4	39011-0007
Box clamp 2.5 – 95 mm ²	00	160	1	SILAS SB NH00 60 EB70 R5	39050-0000
Multiple-use terminal (bolt M8)	00	160	1	SILAS SB NH00 60 EB70 U5	39052-0000
Multiple-use terminal (bolt M10)	1	250	1	SILAS SB NH1 60 EB70 U2	39064-0000
Box clamp 35 – 150 mm ²	1	250	1	SILAS SB NH1 60 EB70 R	39068-0000
Box clamp 95 – 300 mm ²	2	400	1	SILAS SB NH2 60 EB70 R	39074-0000
Multiple-use terminal (bolt M10)	2	400	1	SILAS SB NH2 60 EB70 U2	39070-0000
Box clamp 95 – 300 mm ²	3	630	1	SILAS SB NH3 60 EB70 R	39084-0000
Multiple-use terminal (bolt M10)	3	630	1	SILAS SB NH3 60 EB70 U2	39080-0000

NH Fuse-Switches SILAS – for 60 mm busbar feed

SILAS horizontal-design fuse-switches provide additional terminals. This allows the feeding of one 60 mm busbar system plus one additional fuse outlet.

- Cost-efficient
- Space-saving
- Direct mounting without drilling
- Size 1 and 2 for 60 mm busbar systems

► Technical data, page 152



39086-0000

NH Fuse-Switches, horizontal design, 690 V AC, for feeding 60 mm busbar systems, 70 mm installation depth, hook contacting

Designation	Size	Amps	PU	Product designation	Order no.
Multiple-use terminal (bolt M10)	1	250	1	SILAS SE NH1 60 EB70 U2U2	39086-0000
Multiple-use terminal (bolt M10)	2	400	1	SILAS SE NH2 60 EB70 U2U2	39087-0000

NH Fuse-Switches, horizontal design, 690 V AC, 3-pole switching, for busbar mounting – 100 mm system

Application

- Sliding fuse-test window
- Top or bottom terminals selectable
- Easy and quick installation

► Technical data, page 164

Power distribution components



39212-5000

NH Fuse-Switches, horizontal design, 690 V AC, 3-pole switching, for busbar mounting

Features:

- For 100 mm busbar systems
- Hook contacting

Designation	Size	Amps	PU	Product designation	Order no.
Multiple-use terminal (bolt M10)	1	250	1	NH-LATR SB 1IN 100 U2K93	39212-5000
Multiple-use terminal (bolt M10)	2	400	1	NH-LATR SB 2IN 100 U2K93	39222-5000
Multiple-use terminal (bolt M10)	3	630	1	NH-LATR SB 3IN 100 U2K93	39232-5000

NH Fuse-Switches, horizontal design, 80 V DC, 1-pole switching, for baseplate and busbar mounting

► Technical data, page 174



33107-0250

TPS Fuse-Switches for baseplate mounting

Features:

- Very compact design
- Safe handling
- Only suitable for use with TPS fuse-links

Designation	Size	Amps	PU	Product designation	Order no.
Flat terminal M8	00	250	2	U NH-LATR TPS 00/250 1P G4G4	33107-0250
Flat terminal M12	00	600	2	U NH-LATR TPS 00/600 1P L6L6	33107-0600
Flat terminal M16	2	1200	1	U NH-LATR TPS 2/1200 1P L8L8	33460-0000
Flat terminal 2 x M12	2	1600	1	U NH-LATR TPS 2/1600 1P L6L6	33560-0000



33111-0250

TPS Fuse-Switches for busbar mounting

Features:

- Very compact design
- Safe handling
- Only suitable for use with TPS fuse-links

Designation	Size	Amps	PU	Product designation	Order no.
Flat terminal M8	00	250	2	U NH-LATR TPS 00/250 1P SB G4	33111-0250
Flat terminal M12	00	600	2	U NH-LATR TPS 00/600 1P SB L6	33111-0600
Flat terminal M16	2	1200	2	U NH-LATR TPS 2/1200 1P SB L8	33470-0000

NH Fuse-Switches, horizontal design, 550 V DC, 1-pole switching, for baseplate and busbar mounting

► Technical data, page 176



33107-0010

NH Fuse-Switches, horizontal design, 1-pole switching, for baseplate mounting

Designation	Size	Amps	PU	Product designation	Order no.
Flat terminal M8	00	160	2	NH-LATR 00 1P SC G4G4	33107-0010
Multiple-use terminal U3 with pressure plate for 2.5 – 25 mm ²	00	125	2	NH-LATR 00 1P SC U3U3	33108-0010
Multiple-use terminal U4 with pressure plate and contact prism for 25 – 70 mm ²	00	160	2	NH-LATR 00 1P SC U4U4	33109-0010
Flat terminal M10	1	250	2	NH-LATR 1 1P SC L5L5	33095-0010
Flat terminal M10	2	400	2	NH-LATR 2 1P SC L5L5	33096-0010
Flat terminal M12	3	630	2	NH-LATR 3 1P SC L6L6	33097-0010
Flat terminal M16	4a	1250	1	NH-LATR/UNT 4A 1P L8L8	33047-0010
Flat terminal M12	4a	1600	1	NH-LATR/UNT 4A 1P 1600A L6L6	33047-0070



33100-0010

NH Fuse-Switches, horizontal design, 1-pole switching, for busbar mounting

Designation	Size	Amps	PU	Product designation	Order no.
Flat terminal M8, Top or bottom terminals selectable	00	160	2	A NH-LATR 00 1P SB SC G4	33111-0010
Multiple-use terminal U3 with pressure plate for 2.5 – 50 mm ² , Top or bottom terminals selectable	00	125	2	NH-LATR 00 1P SB SC U3	33112-0010
Multiple-use terminal U4 with pressure plate and contact prism for 25 – 70 mm ² , top or bottom terminals selectable	00	160	2	NH-LATR 00 1P SB SC U4	33113-0010
Flat terminal M10, bottom terminal	1	250	2	NH-LATR 1 1PU SB SC L5	33098-0010
Flat terminal M10, top terminal	1	250	2	NH-LATR 1 1PO SB SC L5	33098-0020
Flat terminal M10, bottom terminal	2	400	2	NH-LATR 2 1PU SB SC L5	33099-0010
Flat terminal M10, top terminal	2	400	2	NH-LATR 2 1PO SB SC L5	33099-0020
Flat terminal M12, bottom terminal	3	630	2	NH-LATR 3 1PU SB SC L6	33100-0010
Flat terminal M12, top terminal	3	630	2	NH-LATR 3 1PO SB SC L6	33100-0020
Flat terminal M16, bottom terminal	4a	1250	1	NH-LATR/UNT 4A 1PU SB L8	33048-0010
Flat terminal M16, top terminal	4a	1250	1	NH-LATR/UNT 4A 1PO SB L8	33048-0020
Flat terminal M12, bottom terminal	4a	1600	1	NH-LATR/UNT 4A 1PU SB 1600A L6	33048-0030
Flat terminal M12, top terminal	4a	1600	1	NH-LATR/UNT 4A 1PO SB 1600A L6	33048-0040

NH Fuse-Switches, horizontal design, 1200 V DC, 2 and 4-pole switching, for baseplate mounting

► Technical data, on demand



34762-1030

NH Fuse-Switches, horizontal design, 1200 V DC, 2 poles

Designation	Amps	PU	Product designation	Order no.
DC-NH fuse-switch, size 3L, 2-pole, for baseplate mounting	400	1	DC-NH-LATR 3L IN 1200V DC 2P 400A U2U2	34762-1030



34762-1040

NH Fuse-Switches, horizontal design, 1200 V DC, 4 poles

Designation	Amps	PU	Product designation	Order no.
DC-NH fuse-switch, size 3L, 4-pole, for baseplate mounting	400	1	DC-NH-LATR 3L IN 1200V DC 4P 400A U2U2	34762-1040

Fuse disconnecter, 1000 V DC, 1 and 2-pole, for baseplate mounting

Application

Protection of DC photovoltaic (PV) systems against overcurrent and short-circuits

► Technical data, page 170



76300-0200

DC Fuse disconnecter 10 x 38 for 1000 V

Features:

- Size: 10.3 x 38 mm
- Rated voltage: 1000 V DC
- IP class: IP2X
- Utilization category: DC-20B

Note:

Do not operate under load

Designation	PU	Product designation	Order no.
SI-TR 10X38 1P 1000VDC 32A	1	SI-TR 10X38 1P 1000VDC 32A	76300-0100
SI-TR 10X38 2P 1000VDC 32A	1	SI-TR 10X38 2P 1000VDC 32A	76300-0200



76301-0200

DC Fuse disconnecter 10 x 38 for 1000 V with visual indicator

Features:

- Size: 10.3 x 38 mm
- Rated voltage: 1000 V DC
- IP class: IP2X
- Utilization category: DC-20B

Note:

Do not operate under load

Designation	PU	Product designation	Order no.
SI-TR 10X38 1P SM 1000VDC 32A	1	SI-TR 10X38 1P SM 1000VDC 32A	76301-0100
SI-TR 10X38 2P SM 1000VDC 32A	1	SI-TR 10X38 2P SM 1000VDC 32A	76301-0200

Power distribution components

Disconnecter, 1000 V DC, for baseplate and supporting-rail mounting

Application

Safe disconnection of the power supply

► Technical data, page 172



76305-0100

DC Disconnecter 32 A – 1000 V for baseplate mounting

Designation	PU	Product designation	Order no.
LT-PV 1000VDC 32A G IP65	1	LT-PV 1000VDC 32A G IP65	76305-0100



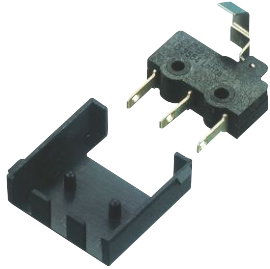
76305-0200

DC Disconnecter 32 A – 1000 V DC, for supporting-rail mounting

Designation	PU	Product designation	Order no.
LT-PV 1000VDC 32A IP40	1	LT-PV 1000VDC 32A IP40	76305-0200

Accessories for NH Fuse-Switches, IN series

► Technical data, page 150, 179



36174-0010

Microswitch
Features:

- For switch position indication

Designation	Size	PU	Product designation	Order no.
Microswitch for switch position indication	000	1	MIKROSCHALTER FÜR SCHALTZU-STANDSANZEIGE	36107-0010
Microswitch	00	1	MIKROSCHALTER F.SCHALTZUSTANDSANZ. 00IN	36174-0010
Microswitch for switch position indication	1-3	1	MIKROSCHALTER TYP 1	85138-0100



31401-0100

Terminal cover
Features:

- Suitable for top or bottom stacking

Designation	Size	PU	Product designation	Order no.
Terminal cover	00	1	BERÜHRUNGSSCHUTZ 00IN	31401-0100
Terminal cover	1	1	BERÜHRUNGSSCHUTZ GR.1IN	31438-0100
Terminal cover	2	1	BERÜHRUNGSSCHUTZ GR.2IN	31428-0100
Terminal cover	3	1	BERÜHRUNGSSCHUTZ GR.3IN	31429-0100



36145-0010

Quick-mount kit
Features:

- For 2 supporting rails with a spacing of 125 or 150 mm

Designation	Size	PU	Product designation	Order no.
Quick-mount kit for 2 supporting rails	000	1	SCHNELLEBEFESTIGUNG FÜR NH-LATR 000	36145-0010

Anti-theft screws

Designation	Size	PU	Product designation	Order no.
Anti-theft screws, size 00 IN (kit)	00	1	STROMDIEBSTAHLSICHERUNG NH-LATR 00IN	36916-0010
Anti-theft screws, size 1 – 3 IN (kit)	1-3	3	1 SATZ (3ST) STROMDIEBSTAHLS. NH-LATR 1-3IN	36930-0010



85371-0100

Feeding devices
Features:

- Easy and safe connection method
- Quick mounting
- Less wiring work
- For series 34050-0000 only

Designation	Size	PU	Product designation	Order no.
Feeding clamp for 25 – 95 mm ² (1 kit = 3 pieces)	000	1	EINSPEISEKLEMME 000	36163-0010
Feeding device for 2 devices	000	1	EINSPEISEKAMM 2X 000	85371-0100
Feeding device for 3 devices	000	1	EINSPEISEKAMM 3X 000	85371-0200
Feeding device for 4 devices	000	1	EINSPEISEKAMM 4X 000	85371-0300
Connecting piece	000	1	VERBINDUNGSSCHIENE 000	85372-0100
Blanking cover	000	1	ABDECKKAPPE FÜR LEERSTELLE	85373-0100

Accessories for NH Fuse-Switches, IN series

► Technical data, page 150



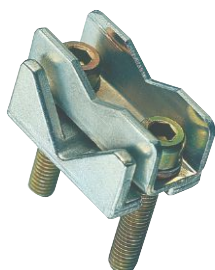
36169-0010

Pressure plates with screws, for multiple-use terminals

Features:

- 1 kit = 6 pieces

Designation	Size	PU	Product designation	Order no.
1,5 - 16 mm ²	00	6	1 SATZ (6 STÜCK) DRUCKSTÜCKE 00IN	36169-0010
6 - 25 mm ²	1	6	1 SATZ (6 STÜCK) DRUCKSTÜCKE 1IN	36197-0010
6 - 25 mm ²	2-3	6	1 SATZ (6 STÜCK) DRUCKSTÜCKE 2/3IN	36199-0010



36170-0010

Pressure plates with screws and contact prisms, for multiple-use terminals

Features:

- 1 kit = 6 pieces

Designation	Size	PU	Product designation	Order no.
16 - 95 mm ²	00	6	1 SATZ (6 STÜCK) KONTAKTPRISMEN 00IN	36170-0010
35 - 150 mm ²	1	6	1 SATZ (6 STÜCK) KONTAKTPRISMEN 1IN	36198-0010
35 - 240 mm ²	2-3	6	1 SATZ (6 STÜCK) KONTAKTPRISMEN 2/3IN	36200-0010



36171-0010

Triple terminal, 3 x 10 mm²

Features:

- 1 kit = 3 pieces

Designation	Size	PU	Product designation	Order no.
für 3 Anschlüsse je Phase bis 16 mm ² , ohne Aderendhülse	00	3	1 SATZ DREIFACHKLEMME 3 X 16	36171-0010

Accessories for NH Fuse-Switches, SILAS series

► Technical data, page 150



36934-0010

Pressure plates for multiple-use terminal

Features:

- Simple addition for the connection of Cu conductors, se, sm and laminated copper (only size 1 to 3)
- 1 kit = 3 pieces

Designation	Size	Amps	PU	Product designation	Order no.
6 - 50 mm ²	00	160	3	1SATZ (3STÜCK) DRUCKSTÜCKE GR.00 SILAS	36934-0010
70 - 150 mm ²	1	250	3	1SATZ (3STÜCK) DRUCKSTÜCKE GR.1 SILAS	36936-0010
120 - 240 mm ²	2	400	3	1SATZ (3STÜCK) DRUCKSTÜCKE GR.2 SILAS	36997-0010
150 - 300 mm ²	3	630	3	1SATZ (3STÜCK) DRUCKSTÜCKE GR.3 SILAS	36991-0010



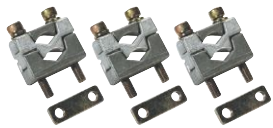
36975-0010

Pressure plates with contact prism, for multiple-use terminals

Features:

- Simple addition for the connection of Cu and Al conductors
- 1 kit = 3 pieces

Designation	Size	Amps	PU	Product designation	Order no.
6 - 70 mm ²	00	160	3	1SATZ (3STÜCK) KONTAKTPRISMA GR.00 SILAS	36975-0010
70 - 150 mm ²	1	250	3	1SATZ (3STÜCK) KONTAKTPRISMEN GR.1 SILAS	36942-0010
120 - 240 mm ²	2	400	3	1SATZ (3STÜCK) KONTAKTPRISMEN GR.2 SILAS	36943-0010
150 - 300 mm ²	3	630	3	1SATZ (3STÜCK) KONTAKTPRISMEN GR.3 SILAS	36981-0010



36982-0010

Pressure plates with contact prism for 2 conductors, multiple-use terminal

Features:

- Simple addition for the connection of 2 Cu and Al conductors
- 1 kit = 3 pieces

Designation	Size	Amps	PU	Product designation	Order no.
2 x 35 - 70 mm ²	1	250	3	1SATZ (3ST) KONTAKTPR.2LEITER GR.1 SILAS	36982-0010
2 x 70 - 120 mm ²	2	400	3	1SATZ (3ST) KONTAKTPR.2LEITER GR.2 SILAS	36983-0010
2 x 150 - 185 mm ²	3	630	3	1SATZ (3ST) KONTAKTPR.2LEITER GR.3 SILAS	36984-0010



36994-0010

Box clamps

Designation	Size	Amps	PU	Product designation	Order no.
35 - 150 mm ²	1	250	3	1SATZ (3STÜCK) RAHMENKLEMME GR.1 SILAS	36992-0010
95 - 300 mm ²	2 - 3	630	3	1SATZ (3STÜCK) RAHMENKLEMME GR.2+3 SILAS	36994-0010



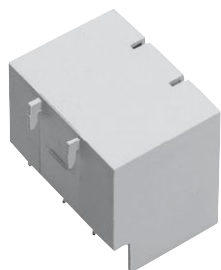
36953-0010

Retrofit kit AC 23, sizes 1 - 3, SILAS, for 690 V

Designation	Size	PU	Product designation	Order no.
Retrofit kit (1 kit = 3 pieces)	1-3	3	NACHRÜSTS. AC23 GR.1-3 SILAS (1SATZ=3ST)	36953-0010

Accessories for NH Fuse-Switches, SILAS series

► Technical data, page 150



36954-0010

Terminal cover, fuse cover

Features:

- Fits into several positions for enhanced protection against contact with live parts

Designation	Size	PU	Product designation	Order no.
Terminal cover, narrow version for busbar devices	000	1	BERÜHRUNGSSCHUTZ GR.000 SILAS/000IN	36954-0010
Terminal cover	00	1	BERÜHRUNGSSCHUTZ GR.00 SILAS	36935-0010
Terminal cover	1	1	BERÜHRUNGSSCHUTZ GR.1 SILAS	36960-0010
Terminal cover	2	1	BERÜHRUNGSSCHUTZ GR.2 SILAS	36950-0010
Terminal cover	3	1	BERÜHRUNGSSCHUTZ GR.3 SILAS	36952-0010



36962-0010

Support profile / universal sideframe

Features:

- Snaps into the side

Designation	Size	PU	Product designation	Order no.
Support profile	000	2	BLENDSTREIFEN GR.000 SILAS /000IN	36962-0010
Support profile	00	2	1SATZ (2STÜCK) BLENDSTREIFEN GR.00 SILAS	36941-0010
Support profile	1-3	2	1SATZ (2ST) BLENDSTREIFEN GR.1-3 SILAS	36940-0010



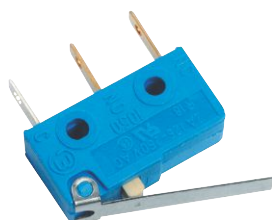
36937-0010

Quick-mount kit for supporting rails

Features:

- For 2 supporting rails with a spacing of 125 or 150 mm

Designation	Size	PU	Product designation	Order no.
Quick-mount kit, narrow version	000	1	SCHNELLBEFESTIGUNG 125/150 GR.000 SILAS	36949-0010
Quick-mount kit for 2 supporting rails with a spacing of 125 or 150 mm	00 - 1	1	SCHNELLBEFESTIGUNG 125/150 GR.00/1 SILAS	36937-0010



36959-0060

Microswitch for switch position indication

Features:

- For switch position indication

Designation	Size	PU	Product designation	Order no.
Microswitch, narrow version	000	1	MIKROSCHALTER GR.000-00 SILAS	36959-0010
Microswitch	1-3	1	MIKROSCHALTER GR.1-3 SILAS	36959-0060



36969-0010

Anti-theft screws

Features:

- For size 000 to 3

Designation	Size	PU	Product designation	Order no.
Anti-theft screws, size 000, SILAS, narrow version	000	3	STROMDIEBSTAHLSICHERUNG GR.000-3 SILAS	36969-0010



36988-0010

Terminal extension

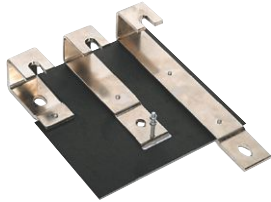
Features:

- For 32 mm installation depth
- 1 kit = 3 pieces

Designation	Size	PU	Product designation	Order no.
Terminal extension	1	3	1SATZ ANSCHLUSSVERLÄNGERUNG SILAS GR.1	36988-0010
Terminal extension	2	3	1SATZ (3STÜCK) ANSCHLUSSVERL. GR.2 SILAS	36989-0010
Terminal extension	3	3	1SATZ (3STÜCK) ANSCHLUSSVERL. GR.3 SILAS	36990-0010

Accessories for NH Fuse-Switches, SILAS series

► Technical data, page 150. 179

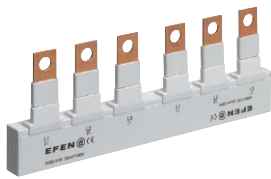


36985-0010

Busbar adapters
Features:

- For 100 mm busbar systems

Designation	Size	PU	Product designation	Order no.
Busbar adapter	1	1	SAMMELSCHIENENADAPTER GR.1 SILAS 100MM	36985-0010
Busbar adapter	2	1	SAMMELSCHIENENADAPTER GR.2 SILAS 100MM	36986-0010
Busbar adapter	3	1	SAMMELSCHIENENADAPTER GR.3 SILAS 100MM	36987-0010



90280-0100

Feeding devices for NH Fuse-Switches, horizontal design, SILAS series
Features:

- Easy and safe connection method
- Quick mounting
- Less wiring work
- Size 00 only suitable for devices with screw terminal M8

Designation	Size	PU	Product designation	Order no.
Feeding device for 2 devices, narrow version	000	4	EINSPEISEKAMM 2X SILAS NH000	90276-0100
Feeding device for 3 devices, narrow version	000	4	EINSPEISEKAMM 3X SILAS NH000	90276-0200
Feeding device for 4 devices, narrow version	000	4	EINSPEISEKAMM 4X SILAS NH000	90276-0300
Feeding device for 5 devices, narrow version	000	4	EINSPEISEKAMM 5X SILAS NH000	90276-0400
Feeding clamp 25 – 95 mm ² rm/sm, narrow version	000	3	EINSPEISEKLEMME 95MM ² SILAS NH000	90277-0100
Feeding device for 2 devices, terminal M8	00	4	EINSPEISEKAMM 2X SILAS/IN NH00	90280-0100
Feeding device for 3 devices, terminal M8	00	4	EINSPEISEKAMM 3X SILAS/IN NH00	90280-0200
Feeding device for 4 devices, terminal M8	00	4	EINSPEISEKAMM 4X SILAS/IN NH00	90280-0300
Feeding device for 5 devices, terminal M8	00	4	EINSPEISEKAMM 5X SILAS/IN NH00	90280-0400
FEEDING CLAMP 95MM ² SILAS/IN NH00	00	4	EINSPEISEKLEMME 95MM ² SILAS/IN NH00	90287-0100

Accessories for NH Fuse-Switches, 80 V DC and 550 V DC

► Technical data, on demand



36571-0010

Accessories for NH Fuse-Switches 80 V DC

Designation	Size	Amps	PU	Product designation	Order no.
Microswitch for switch position indication	000		1	MIKROSCHALTER FÜR SCHALTZU-STANDSANZEIGE	36107-0010
Contact hook for busbar mounting of a TPS fuse-switch Size 00 to 250 A	00		1	HAKEN NH-LATR 00 1P SB	36571-0010
Contact hook for busbar mounting of a TPS fuse-switch Size 00 to 600 A	00		1	HAKEN NH-LATR TPS 00/600	36890-0010
TPS solid-link up to 600 A	00	600	1	TRENNMESSER TPS 00/600	36917-0010
TPS solid-link up to 1600 A	2	1600	1	TRENNMESSER TPS 2/1600	36918-0010
Twinning kit for parallel operation of 2 devices/phases	00		1	VERBINDUNGSBLENDE LA-LEI 00N	31187-0100
Terminal cover, 140 mm	1 - 3		1	ANSCHLUSSRAUMABDECKUNG AK3	31319-0200
Microswitch for switch position indication	2		1	MIKROSCHALTER FÜR SCHALTZU-STANDSA. TPS 2	36887-0010
Connecting frame for parallel operation of 2 TPS fuse-switches	2		1	VERBINDUNGSBLENDE LA-LEI 1-3N	45071-0100



31122-0100

Accessories for NH Fuse-Switches 550 V DC

Designation	Size		PU	Product designation	Order no.
Identification label (screw-mount) 45 x 17 mm	00		1	BEZEICHNUNGSSCHILD SCHRAUB-BAR	36040-0010
Carrier for identification label	00		1	INFOTRÄGER NH-LA-LEI 00N	31122-0100
Terminal cover	1 - 2 - 3		1	ANSCHLUSSRAUMABDECKUNG GR.1-3	31157-0100
Connecting kit for parallel operation of two separate devices	1 - 2 - 3		3	VERBINDUNGSSATZ FÜR ZWILLINGS-LEISTE	81251-0100
Twinning kit for parallel operation of 2 devices/phases	00		1	VERBINDUNGSBLENDE LA-LEI 00N	31187-0100
Microswitch for switch position indication	000		1	MIKROSCHALTER FÜR SCHALTZU-STANDSANZEIGE	36107-0010
Microswitch for switch position indication, including screws for installation for size 1 - 3	1 - 3		1	MIKROSCHALTER NTSL KOMPL. MIT SCHRAUBEN	83398-0100
Microswitch for switch position indication, size 4a, installation on right-hand side	4a		1	MIKROSCHALTER GR.4A RECHTS	36247-0010
Microswitch for switch position indication, size 4a, installation on left-hand side	4a		1	MIKROSCHALTER GR.4A LINKS	36248-0010

NH Fuse-Switches, horizontal design

Technical data acc. to VDE 0660 T107/EN/IEC 60947-3 for IN series

Suitable for NH fuse-links according to VDE 0660 T 2	Size	000	000/00	1	2	3	4a
Rated operating current I_e	A	100	160	250	400	630	1250 1600
Conventional free-air thermic current I_{th}	A	160	160	250	400	630	1250 1600
Rated operating voltage U_e	V	690					
Rated isolation voltage U_i	V	690	800				
Rated impulse withstand-current U_{imp}	kV	6	8				
Conditional rated short-circuit current (when protected by NH fuse-links)	kA/400V	80	100	100	100 ²⁾	100	50
Conditional rated short-circuit current (when protected by NH fuse-links)	kA/690V	50					
Utilization category acc. to VDE 0660 T107/EN/IEC 60947-3	U _e = 400V AC U _e = 690V AC U _e = 440V DC ¹⁾	AC-22B AC-21B DC-21B					
Mechanical service life	Cycles	2000	1600	1600	1000	1000	600
Permissible ambient temperature	-25 °C to +55 °C						
Degree of protection acc. to DIN/EN 60529/VDE 0470 T1	IP 3X						
Maximum permissible power dissipation of the NH fuse-link	P _{n,max.}	9	12	23	34	48	115 140
Weight without fuse-links	kg	0,425	0,5	2,0	3,25	5,3	14,0

 1) when equipped with L₁ and L₃ with 2 poles; 1-pole U_e = 220 V DC

2) with pilot tool

Technical data acc. to VDE 0660 T107/EN/IEC 60947-3 for SILAS series

Suitable for NH fuse-links according to VDE 0636 T2	Size	000	00	1	2	3
Rated operating current I_e	A	100	160	250	400	630
Conventional free-air thermic current I_{th}	A	100	160	250	400	630
Rated operating voltage U_e	V	690				
Rated isolation voltage U_i	V	1000				
Rated impulse withstand-current U_{imp}	kV	6	8			
Conditional rated short-circuit current (when protected by NH fuse-links)	kA	80	80	80	50	80
Utilization category acc. to VDE 0660 T107/EN/IEC 60947-3	U _e = 400V AC U _e = 690V AC U _e = 220V DC U _e = 440V DC	AC-23B AC-21B Please inquire DC-22B	AC-23B AC-21B DC-22B Please inquire	AC-23B AC-22B DC-21B	AC-23B AC-22B DC-21B	AC-23B AC-22B DC-21B
Mechanical service life	Cycles	2000	1600	1600	1000	1000
Permissible ambient temperature	-25 °C to +55 °C					
Degree of protection DIN/EN 60529/VDE 0470 T1	IP 3X					
Maximum permissible power dissipation of the NH fuse-link	W	7,5	12	23	34	48
Weight without fuse-links	kg	0,54	0,84	2,2	3,6	4,1

NH Fuse-Switches, horizontal design

Product range overview

	Size 000	Size 00	Size 1	Size 2	Size 3
Baseplate mounting	•	•	•	•	•
40/12 mm busbar spacing	•	•	•	•	
60 mm busbar system	•	•	•	•	•
100 mm busbar system			•	•	•
Supporting-rail mounting	•	•	•		
Support profile	•	•	•	•	•
Terminal cover	•	•	•	•	•
Pressure plate for Cu conductor		•	•	•	•
Contact prism for Cu/Al conductor		•	•	•	•
Twin terminal with contact prism for Cu/Al conductors			•	•	•
Box clamp	•	•	•	•	•
Switch position indication	•	•	•	•	•
Electronic fuse-monitoring	•	•	•	•	•
Mechanical fuse-monitoring with circuit breaker		•	•	•	•
Anti-theft protection	•	•	•	•	•
Horizontal installation	•	•	•	•	•

NH Fuse-Switches, horizontal design

Conductor connections and sizes for IN series

Type of terminal	Conductor type		NH 000	NH 00	NH 1	NH 2	NH 3	4a	Size
Multiple-use terminal (screw terminal)	-	-	-	M8	M10	M10	M10	M12/M16	
Pressure plates with bolts	CU	re	-	1,5-16	1,5-16	-	-	-	mm ²
		rm/sm	-	2-25	6-50	6-70	6-70	-	
Pressure plates with bolts and contact prisms	CU AL	re/rm/ se/sm	-	2,5-70	70-150	70-240	70-240	-	mm ²
Box clamp	CU	rm/re	1,5-50	-	-	-	-	-	mm ²
		se/sm	-	-	-	-	-	-	
Triple terminal	CU	re	-	1,5-10	-	-	-	-	mm ²
		rm	-	10-16	-	-	-	-	
Flat conductor (width x height) ≤	-	-	-	10x6	16x15	21x15	21x15	-	mm

Conductor connections and sizes for SILAS series

Type of terminal	Conductor type		NH 000	NH 00	NH 1	NH 2	NH 3	Size
Multiple-use terminal (screw terminal)	-	-	-	M8	M10	M10	M10	
Pressure plates with bolts	CU	re	-	6-50	70-150	-	-	mm ²
		rm/sm	-	6-25	6-50	6-70	6-70	
Pressure plates with bolts and contact prisms	CU AL	re/rm/ se/sm	-	6-70	70-150	120-240	150-300	mm ²
Pressure plates with bolts and contact prisms for two conductors	CU AL	rm/se/ sm	-	-	2x35-70	2x70-120	2x150	mm ²
Box clamp	CU	rm/re	2,5-50	2,5-95	35-150	95-300	95-300	mm ²
		se/sm	-	-	50-150	120-300	120-300	
	AL	rm/re	-	-	35-150	95-300	95-300	
		se/sm	-	-	50-150	120-300	120-300	
Triple terminal	CU	re	-	1,5-10	-	-	-	mm ²
		rm	-	10-16	-	-	-	
Flat conductor (width x height) ≤					1 x20	8 x32	8 x32	
					15x20	20x32	20x32	

NH Fuse-Switches, horizontal design

Tightening torques for terminals and busbar mounting for IN series

Size	NH 000	NH 00	NH 1	NH 2	NH 3	4a
Type of terminal	Tightening torques (Nm)					
Multiple-use terminal (screw terminal)	-	14	32	32	32	32 / 56
Pressure plates with bolts	-	4	8	14	14	-
Pressure plates with bolts and contact prisms	-	4	8	14	14	-
Busbar contacting	-	6	10	10	14	-
Box clamp	3	3	-	-	-	-

Tightening torques for terminals and busbar mounting for SILAS series

Size	NH 000	NH 00	NH 1	NH 2	NH 3
Type of terminal	Tightening torques (Nm)				
Multiple-use terminal (screw terminal)	-	12	20	20	20
Pressure plates with bolts	-	3	6	8	8
Pressure plates with bolts and contact prisms	-	3	6	8	8
Busbar contacting	4,5	6	6	8	8
Box clamp	4,5	5	12	20	20

Connection with two cable lugs

Size	16 mm ²	25 mm ²	35 mm ²	50 mm ²	70 mm ²	95 mm ²	120 mm ²	150 mm ²	185 mm ²	240 mm ²	300 mm ²
00	2 x	2 x	2 x	2 x		-	-	-	-	-	-
1	2 x	2 x	2 x	2 x	2 x	2 x	2 x	2 x	2 x	-	-
2	-	-	-	-	-	-	-	2 x	2 x	2 x	2 x
3	-	-	-	-	-	-	-	2 x	2 x	2 x	2 x

Cable lugs according to DIN 46235 were used for verification.

Other commercially available cable lugs may have different dimensions but are usually compatible.

NH Fuse-Switches, horizontal design

Baseplate mounting

Description	Size	Amps I _{th}	Designation	PU	Weight in kg	Order no.
Box clamp 1.5 – 50 mm ²	000	160	NH-Latr 000 R4R4	10	0,422	34050-0000
Box clamp 2.5 – 50 mm ² , narrow version – 53 mm	000	100	SILAS NH000 R4R4	1	0,568	34040-0007

Supporting-rail mounting

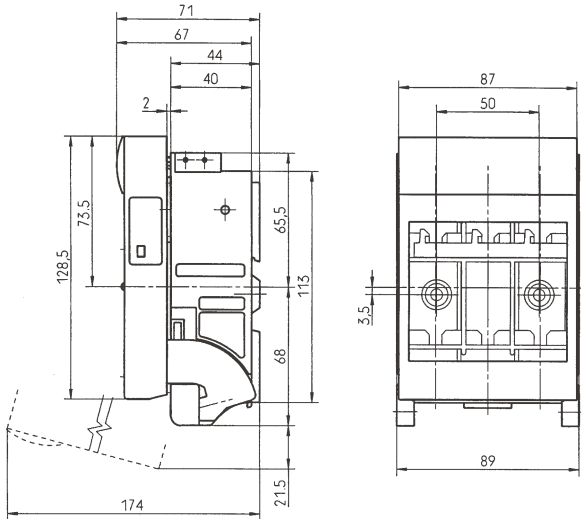
Description	Size	Amps I _{th}	Designation	PU	Weight in kg	Order no.
Box clamp 1.5 – 50 mm ²	000	160	NH-Latr 000 HB R4R4	10	0,42	34050-0070

Supporting-rail mounting

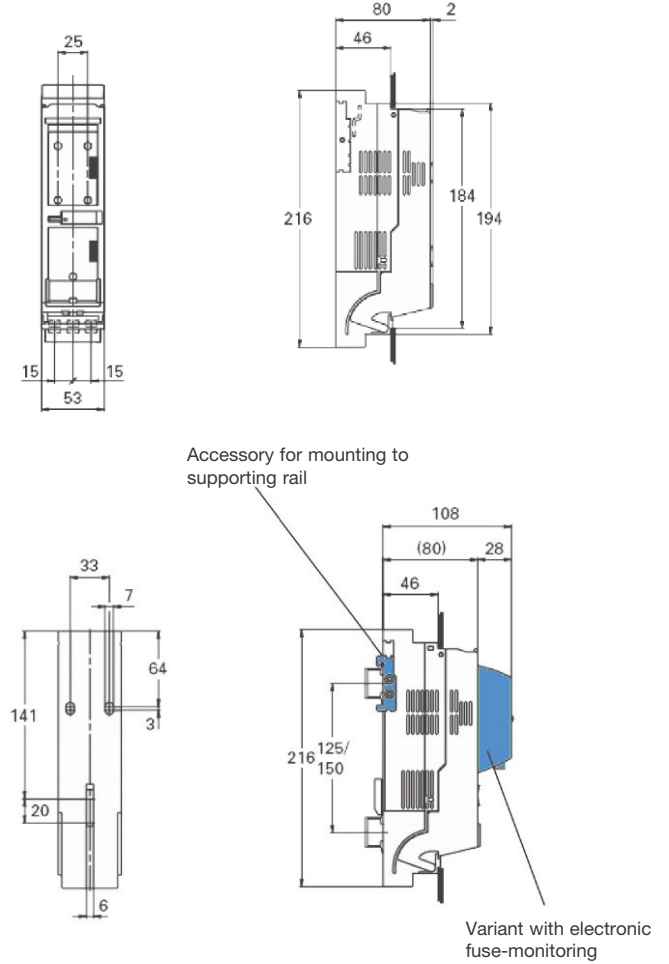
Description	Size	Amps I _{th}	Designation	PU	Weight in kg	Order no.
Multiple-use terminal (bolt M8)	00	160	NH-Latr 00IN HB U5U5	10	0,60	34060-0070
Box clamp 1.5 – 50 mm ²	00	125	NH-Latr 00IN HB R2R2	10	0,55	34065-0070

NH Fuse-Switches, horizontal design

Size 000

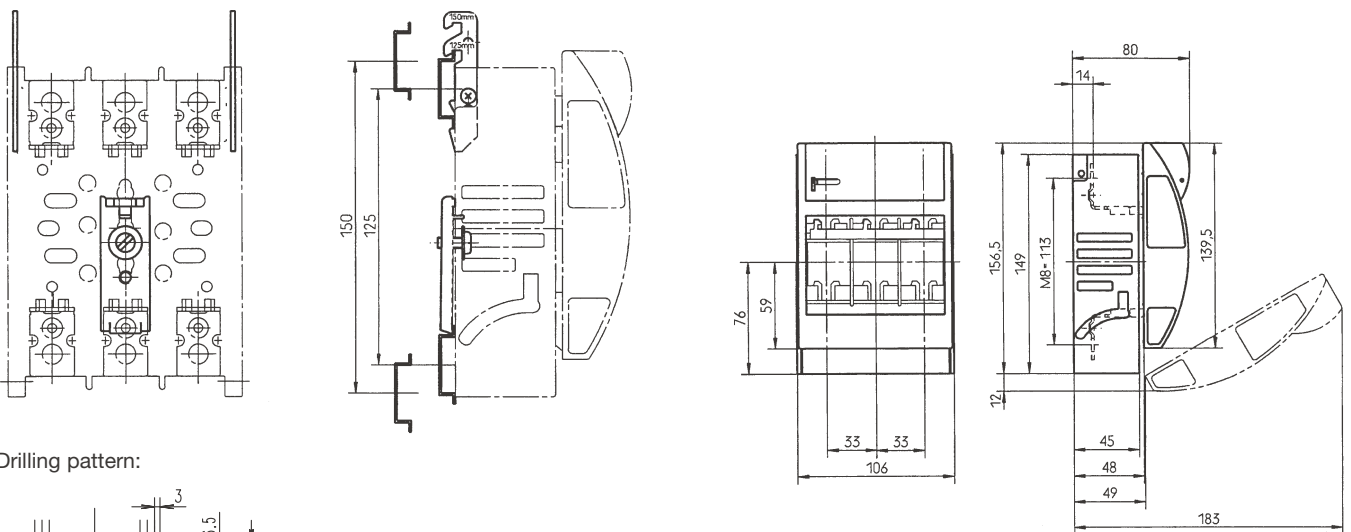


Size 000, narrow version



Power distribution components

Size 00

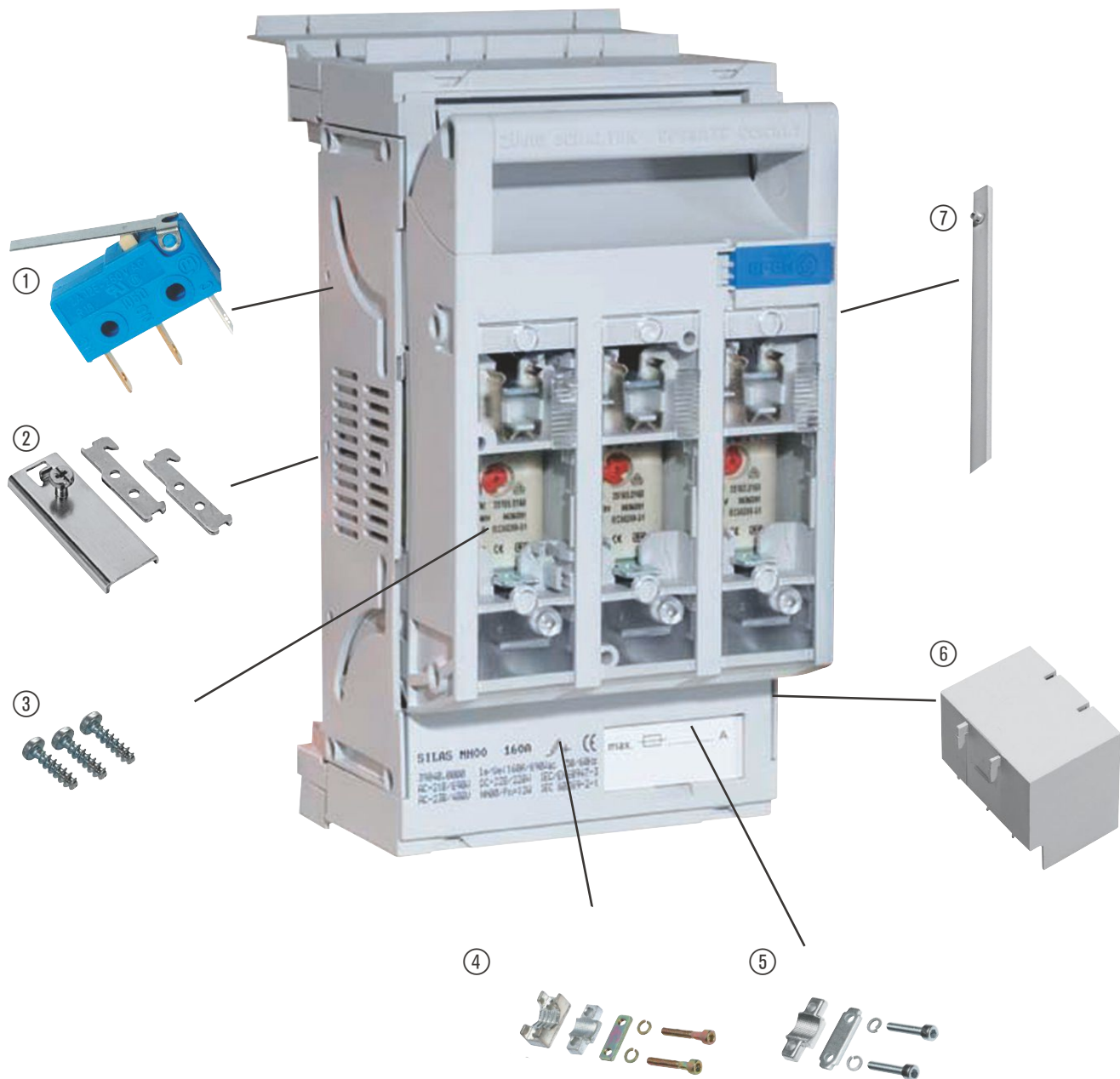


Drilling pattern:

NH Fuse-Switches, horizontal design, SILAS series

NH Fuse-Switches, horizontal design, size 000-00
Accessories

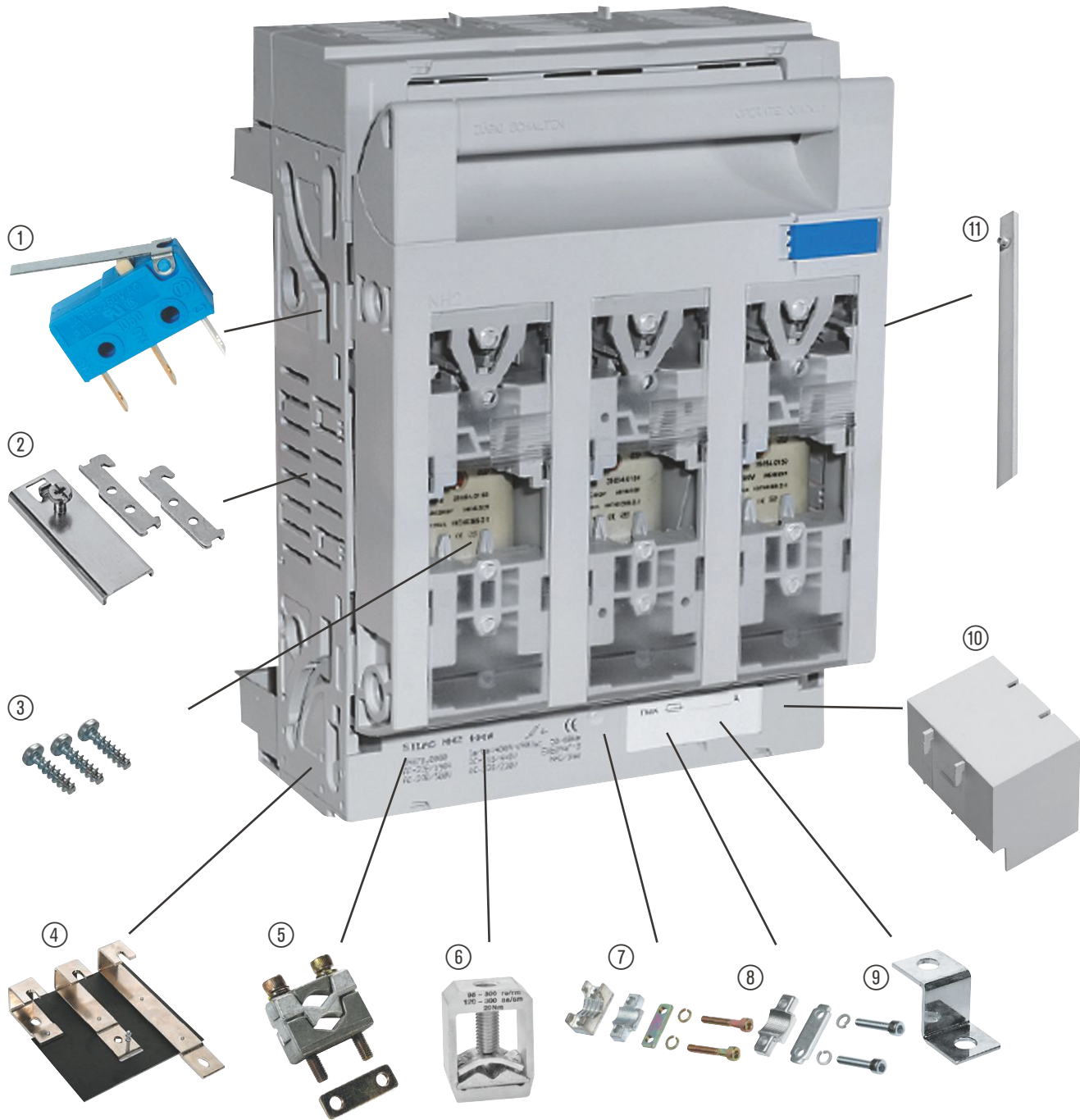
Power distribution
components



- ① 36959-0010 Microswitch, size 00 and size 000
- ② 36937-0010 Quick-mount kit, size 00
- ③ 36969-0010 Anti-theft screws
- ④ 36975-0010 Pressure plate with contact prism 6 – 70 mm², size 00
- ⑤ 36934-0010 Pressure plate 6 – 70 mm², size 00
- ⑥ 36954-0010 Terminal cover, size 000
- ⑦ 36962-0010 Support profile, size 000

NH Fuse-Switches, horizontal design, SILAS series

NH Fuse-Switches, horizontal design, size 1 – 3 Accessories



Power distribution
components

- ① 36959-0060 Microswitch, size 1-3
- ② 36937-0010 Quick-mount kit, size 1
- ③ 36969-0010 Anti-theft screws
- ④ 36985-0010 Busbar adapter, size 1
- ⑤ 36982-0010 Pressure plate with contact prism, 2 x 35 – 70 mm², size 1
- ⑥ 36992-0010 Box clamp 35 – 150 mm², size 1
- ⑦ 36942-0010 Pressure plate with contact prism 70 – 150 mm², size 1
- ⑧ 36936-0010 Pressure plate 70 – 150 mm², size 1
- ⑨ 36988-0010 Terminal extension, size 1
- ⑩ 36960-0010 Terminal cover, size 1
- ⑪ 36940-0010 Support profile, size 1 – 3

NH Fuse-Switches, horizontal design, SILAS series

SILAS horizontal-design fuse-switches provide additional terminals.
This allows the feeding of one 60 mm busbar system and additional fuse outlets.

- Cost-efficient
- Space-saving
- Direct mounting without drilling
- Size 1 and 2 for 60 mm busbar systems

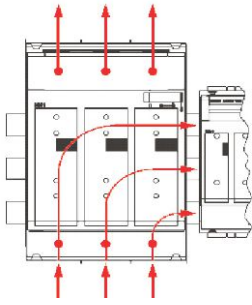
Description	Size	Amps I _n	PU	Weight in kg	Designation	Order no.
Screw terminal M10	1	250	1	2,3	SILAS SE NH1 60 EB70 U2U2	39086-0000
Screw terminal M10	2	400	1	3,6	SILAS SE NH2 60 EB70 U2U2	39087-0000

Power distribution components

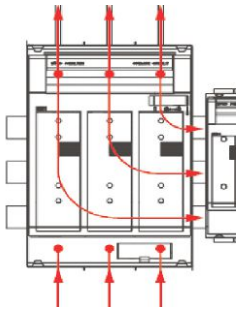
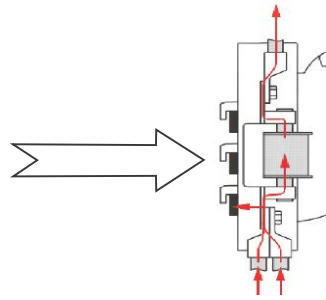
NH Fuse-Switches, horizontal design, SILAS series

Busbar feed

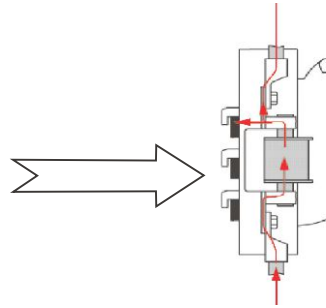
Additional fuse outlet



Feed without NH fuse-links
 250 A SILAS 1
 400 A SILAS 2
 Feed
 max. 500 A SILAS 1
 max. 800 A SILAS 2



Feed via NH fuse-links
 125 A SILAS 1
 200 A SILAS 2
 Feed
 max. 250 A SILAS 1
 max. 400 A SILAS 2



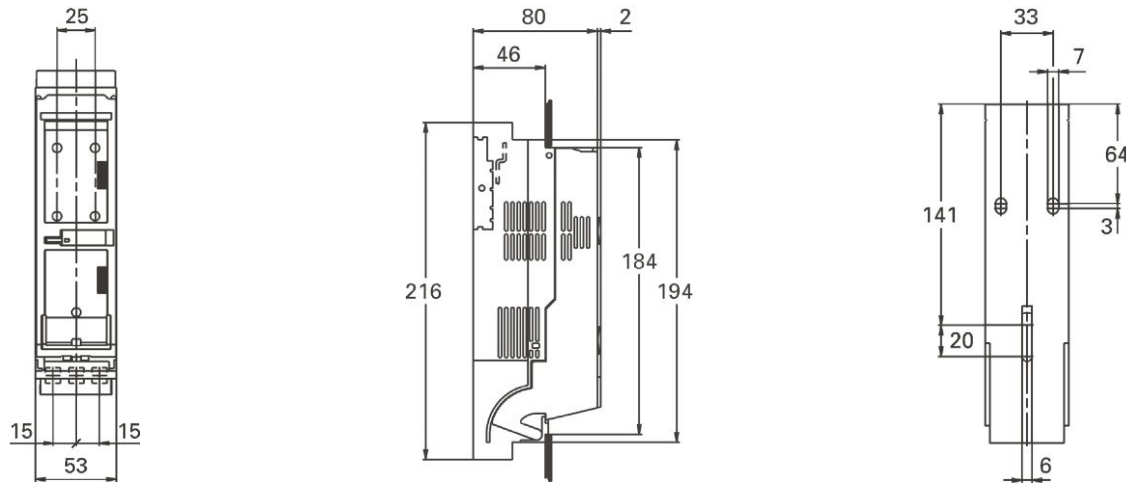
NH Fuse-Switches, horizontal design

for baseplate mounting

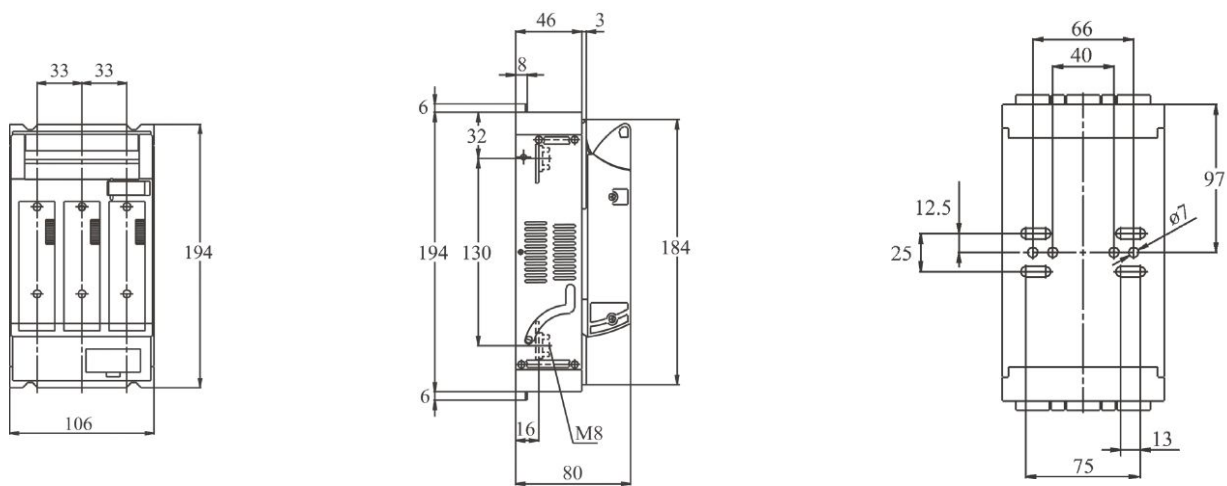
Description	Size	Amps I _n	PU	Weight in kg	Designation	Order no.
With box clamp rm/re 50 mm ²	000	100 A	1	0,4	SILAS NH000 R4R4	34040-0007
Multiple-use terminal (bolt M8)	00	160 A	1	0,6	SILAS NH00 U5U5	34077-0000
With box clamp rm/re 95 mm ²	00	160 A	1	0,6	SILAS NH00 R5R5	34076-0000
Multiple-use terminal (bolt M10)	1	250 A	1	2,0	SILAS NH1 U2U2	34170-0000
With box clamp rm/re 150 mm ²	1	250 A	1	2,2	SILAS NH1 RR	34175-0000
Multiple-use terminal (bolt M10)	2	400 A	1	3,0	SILAS NH2 U2U2	34270-0000
With box clamp rm/re 300 mm ²	2	400 A	1	3,6	SILAS NH2 RR	34275-0000
Multiple-use terminal (bolt M10)	3	630 A	1	3,5	SILAS NH3 U2U2	34370-0000
With box clamp rm/re 300 mm ²	3	630 A	1	4,0	SILAS NH3 RR	34375-0000

NH Fuse-Switches, horizontal design

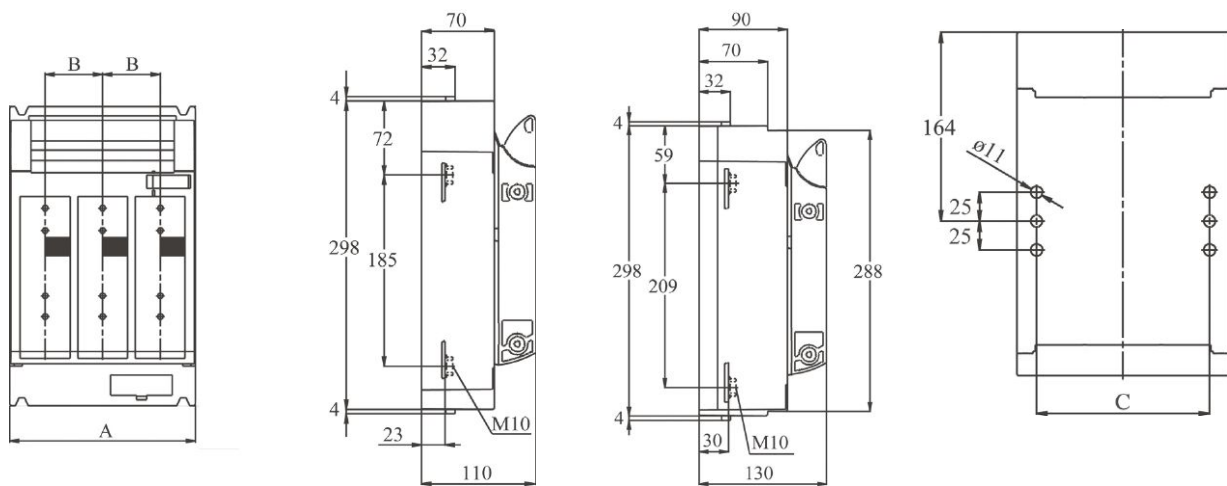
Dimensions drawings
Size 000



Dimensions drawings
Size 00



Dimensions drawings
Size 1 - 3



Size	A	B	C
1	184	57	150
2	210	65	166
3	250	80	195

Size 1

Size 2/3

Power distribution components

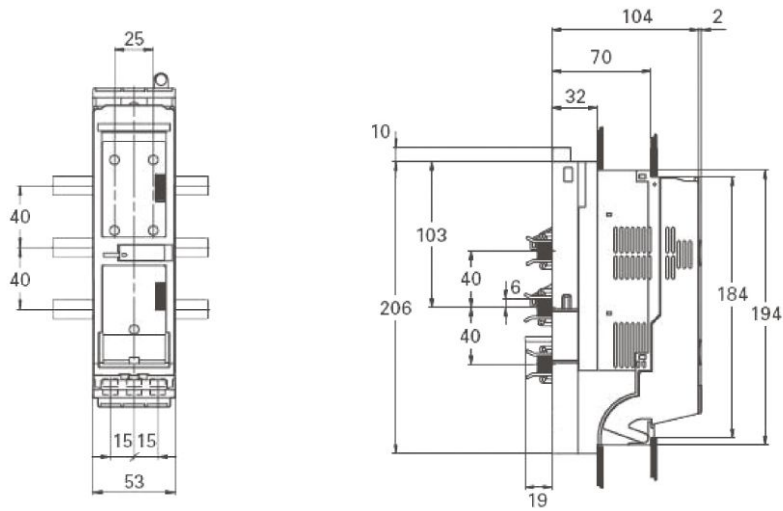
NH Fuse-Switches, horizontal design

For 40/12 mm busbar system according to DIN 43870

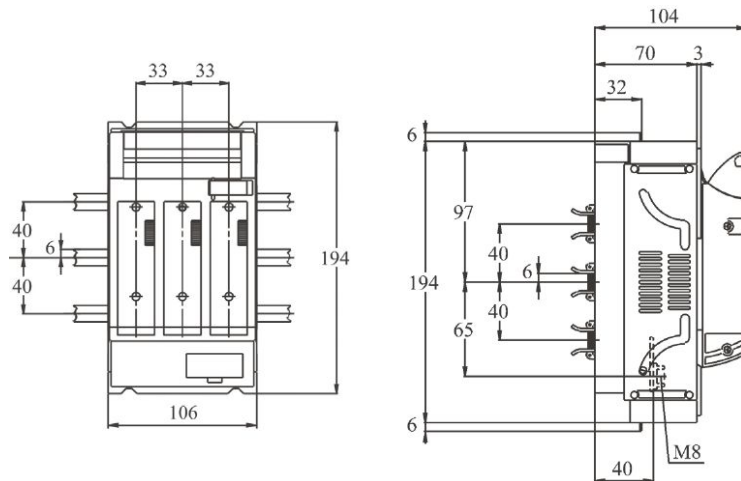
Description	Size	Amps I _n	PU	Weight in kg	Designation	Order no.
With box clamp rm/re 50 mm ² Bottom terminals	000	100 A	1	0,5	SILAS SB NH000 40 AU R4	39000-0007
With box clamp rm/re 50 mm ² Top terminals	000	100 A	1	0,5	SILAS SB NH000 40 AO R4	39001-0007
Multiple-use terminal (bolt M8)	00	160 A	1	0,7	SILAS SB NH00 40 EB70 U5	39021-0000
With box clamp rm/re 95 mm ²	00	160 A	1	0,7	SILAS SB NH00 40 EB70 R5	39020-0000
Multiple-use terminal (bolt M10)	1	250 A	1	2,1	SILAS SB NH1 40 EB70 U2	39060-0000
With box clamp rm/re 150 mm ²	1	250 A	1	2,3	SILAS SB NH1 40 EB70 R	39061-0000
Multiple-use terminal (bolt M10)	2	400 A	1	3,3	SILAS SB NH2 40 EB70 AO U2	39078-0000
With box clamp rm/re 300 mm ²	2	400 A	1	3,6	SILAS SB NH2 40 EB70 AO R	39079-0000

NH Fuse-Switches

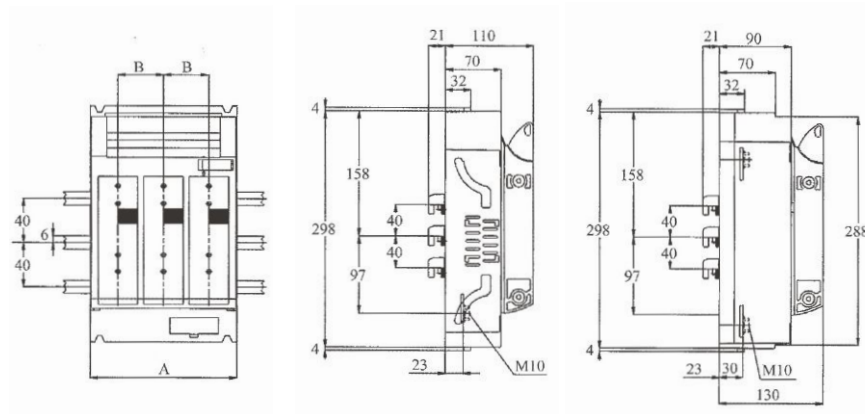
Busbar mounting Size 000



Busbar mounting Size 00



Busbar mounting Size 1-3



Size	A	B
1	184	57
2	210	65
3	250	80

Size 1

Size 2/3

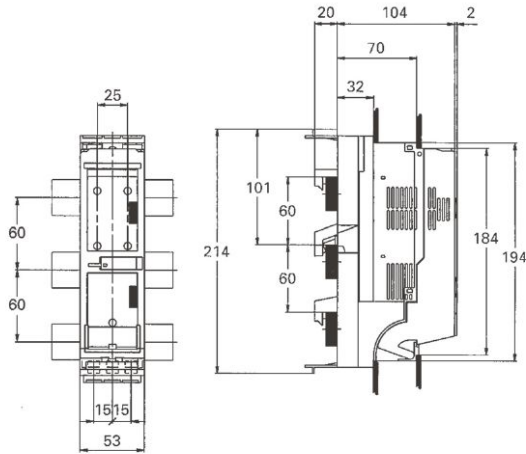
NH Fuse-Switches, horizontal design

For 60 mm busbar system

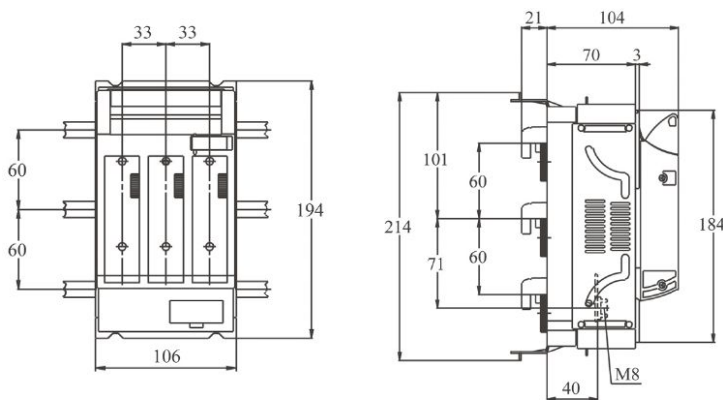
Description	Size	Amps I _n	PU	Weight in kg	Designation	Order no.
With box clamp rm/re 50 mm ² Bottom terminals	000	100 A	1	0,5	SILAS SB NH000 60 AU R4	39010-0007
With box clamp rm/re 50 mm ² Top terminals	000	100 A	1	0,5	SILAS SB NH000 60 AO R4	39011-0007
Multiple-use terminal (bolt M8)	00	160 A	1	0,8	SILAS SB NH00 60 EB70 U5	39052-0000
With box clamp rm/re 95 mm ² 32 mm installation depth	00	160 A	1	0,8	SILAS SB NH00 60 EB32 R5	39040-0000
With box clamp rm/re 95 mm ² 70 mm installation depth	00	160 A	1	0,8	SILAS SB NH00 60 EB70 R5	39050-0000
Multiple-use terminal (bolt M10)	1	250 A	1	2,2	SILAS SB NH1 60 EB70 U2	39064-0000
With box clamp rm/re 150 mm ²	1	250 A	1	2,2	SILAS SB NH1 60 EB70 R	39068-0000
Multiple-use terminal (bolt M10)	2	400 A	1	3,2	SILAS SB NH2 60 EB70 U2	39070-0000
With box clamp rm/re 300 mm ²	2	400 A	1	3,5	SILAS SB NH2 60 EB70 R	39074-0000
Multiple-use terminal (bolt M10)	3	630 A	1	3,9	SILAS SB NH3 60 EB70 U2	39080-0000
With box clamp rm/re 300 mm ²	3	630 A	1	4,1	SILAS SB NH3 60 EB70 R	39084-0000

NH Fuse-Switches

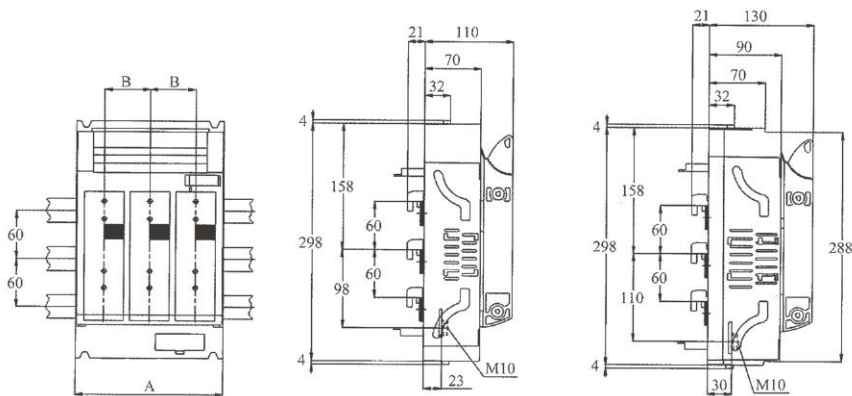
Busbar mounting Size 000



Busbar mounting Size 00



Busbar mounting Size 1 – 3



Size	A	B
1	184	57
2	210	65
3	250	80

Size 1

Size 2/3

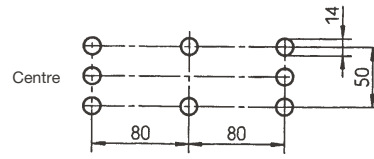
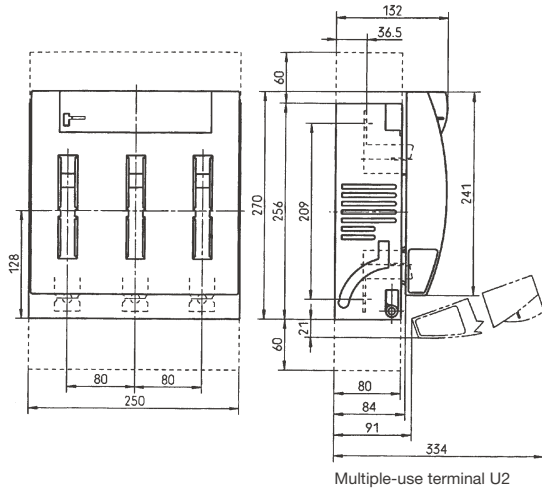
NH Fuse-Switches, horizontal design

Baseplate mounting

Description	Size	Amps I _{tn}	Designation	PU	Weight in kg	Order no.
Screw terminal M12	3	630kVA	NH-Latr 3IN 630kVA G6G6	1	3,522	34360-1000

NH Fuse-Switches, horizontal design

Dimensions drawings, size 3, 630 A



NH Fuse-Switches, horizontal design

Baseplate mounting:

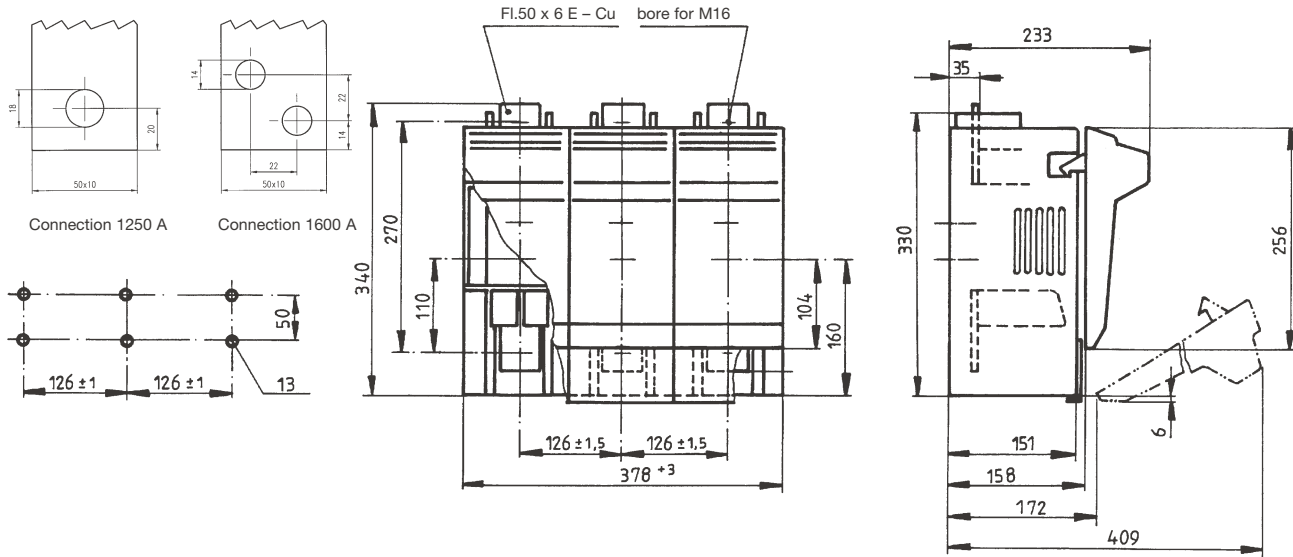
Description	Size	Amps I _{th}	Designation	PU	Weight in kg	Order no.
Screw terminal M16, top and bottom 1-pole switching 3-pole switching	4a	1250	NH-Latr 4A EP L8L8	1	12,65	34400-0000
	4a	1250	NH-Latr 4A 3P L8L8	1	12,80	34400-1010
Screw terminal 2 x M12, top and bottom 1-pole switching 3-pole switching	4a	1600	NH-Latr 4A EP 1600A L6L6	1	14,00	34400-1040
	4a	1600	NH-Latr 4A 3P 1600A L6L6	1	14,15	34400-1050

Description	Size	Amps I _{th}	Designation	PU	Weight in kg	Order no.
Multiple-use terminal (bolt M10)	3	500	NH-Latr 3 IN 1000V 500A U2U2	1	5,30	34762-1020

Description	Size	Amps I _{th}	Designation	PU	Weight in kg	Order no.
Multiple-use terminal (bolt M10)	3L	500	NH-Latr 3L IN 1500V 500A U2U2	1	5,30	34762-1010

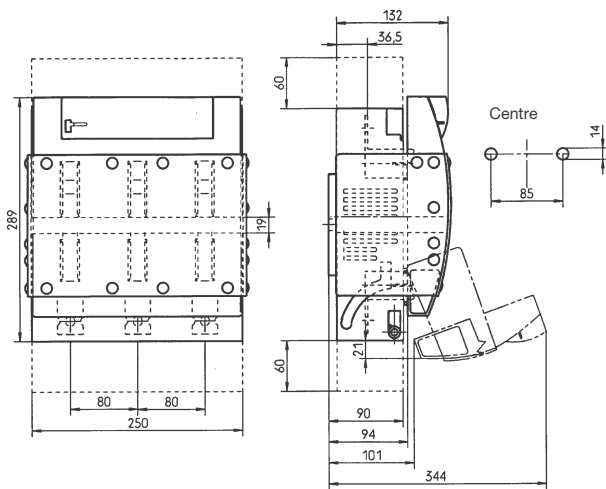
NH Fuse-Switches, horizontal design

Dimensions drawings, size 4a, 1250/1600 A, dimensions drawings 1250 A
 Connection with 60 x 10 mm bars optional

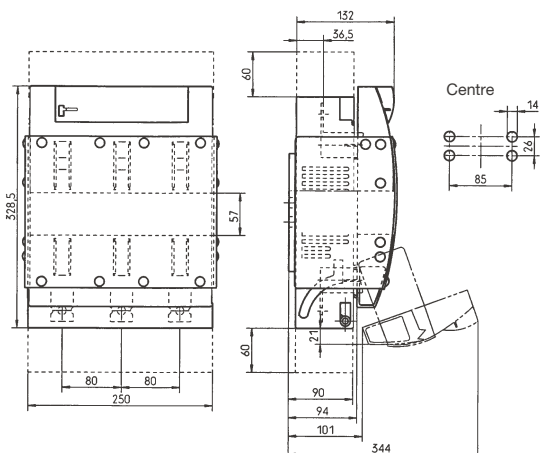


Power distribution components

Dimensions drawings, size 3, 500 A/1000 V



Size 3L, 500 A/1500 V



NH Fuse-Switches, vertical design

Busbar system, 100 mm center-to-center spacing, hook-contacting

Top terminals

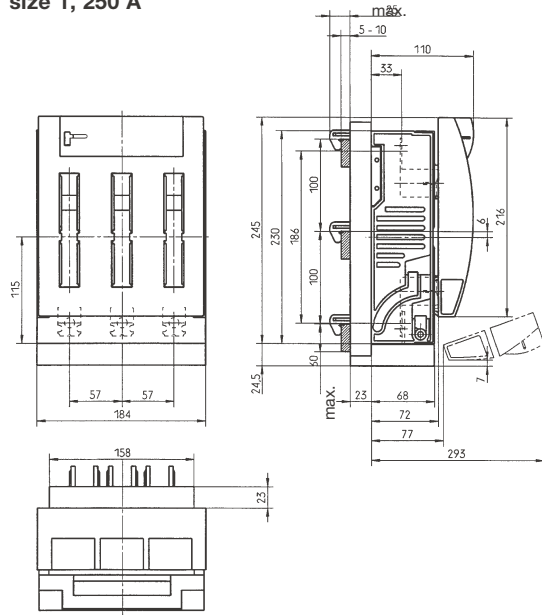
Description	Size	Amps I_{th}	Designation	Terminal pos.	PU	Weight in kg	Order no.
Multiple-use terminal (bolt M10)	1	250	NH-Latr SB 1IN 100 U2K93	Top	1	2,50	39212-5000
Multiple-use terminal (bolt M10)	2	400	NH-Latr SB 2IN 100 U2K93	Top	1	3,25	39222-5000
Multiple-use terminal (bolt M10)	3	630	NH-Latr SB 3IN 100 U2K93	Top	1	5,30	39232-5000

Bottom terminals

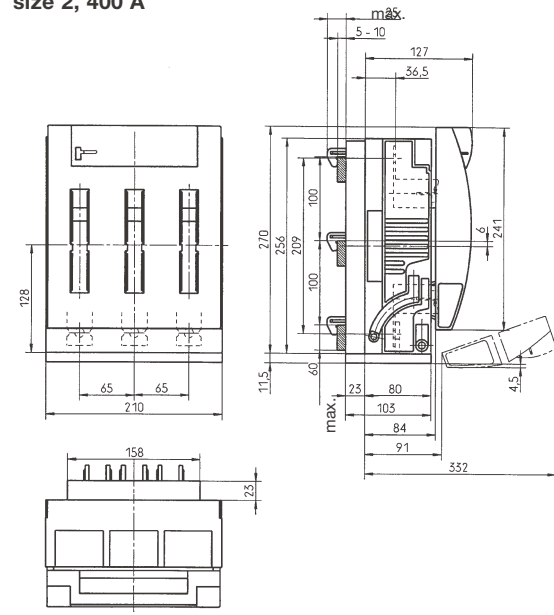
Description	Size	Amps I_{th}	Designation	Terminal pos.	PU	Weight in kg	Order no.
Multiple-use terminal (bolt M10)	1	250	NH-Latr SB 1IN 100 K93U2	Bottom	1	2,50	39212-7000
Multiple-use terminal (bolt M10)	2	400	NH-Latr SB 2IN 100 K93U2	Bottom	1	3,25	39222-7000
Multiple-use terminal (bolt M10)	3	630	NH-Latr SB 3IN 100 K93U2	Bottom	1	5,30	39232-7000

NH Fuse-Switches, vertical design

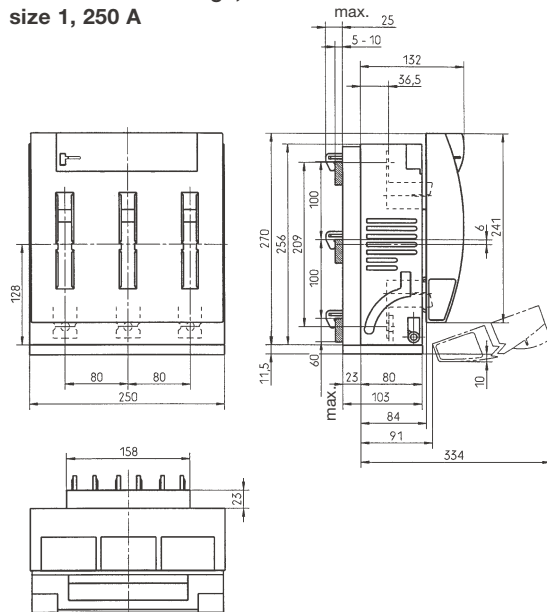
Dimensions drawings,
size 1, 250 A



Dimensions drawings,
size 2, 400 A



Dimensions drawings,
size 1, 250 A



Power distribution
components

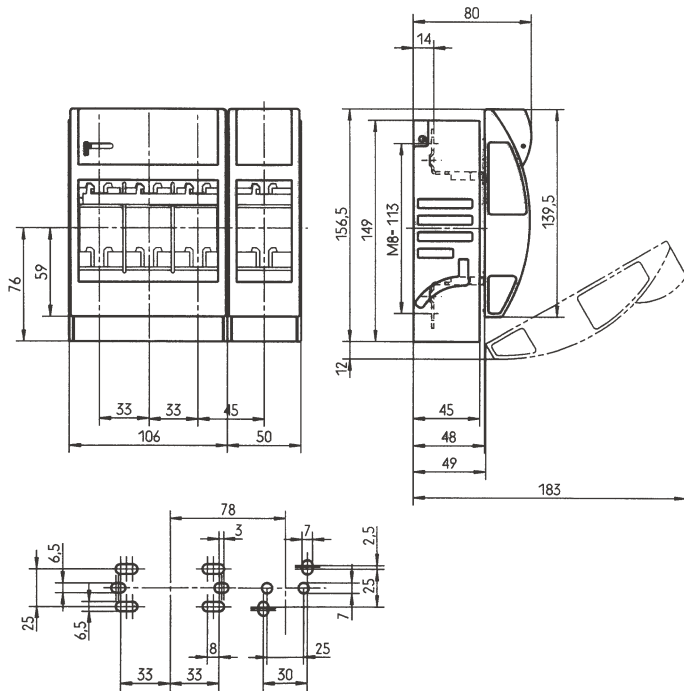
NH Fuse-Switches, horizontal design

NH Fuse-Switch, horizontal design, 4-pole, for baseplate mounting

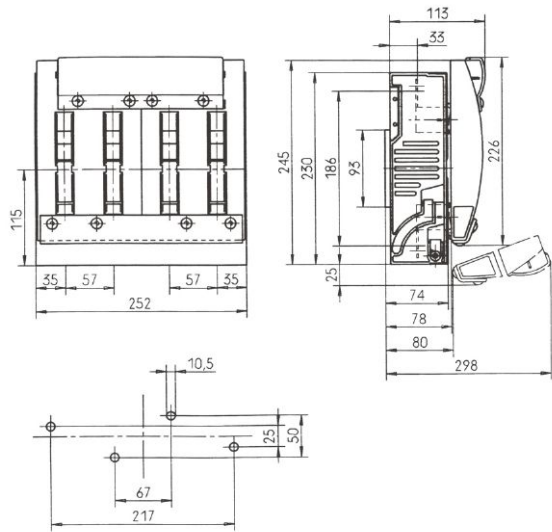
Description	Size	Amps I_{th}	Designation	PU	Weight in kg	Order no.
Screw terminal M8	00	160	NH-Latr 00IN 4P U5U5	1	0,75	34060-4000
Screw terminal M10	1	250	NH-Latr 1IN 4P U2U2	1	3,70	34162-4000
Screw terminal M10	2	400	NH-Latr 2IN 4P U2U2	1	7,70	34262-4000
Screw terminal M10	3	630	NH-Latr 3IN 4P U2U2	1	8,60	34362-4000
Screw terminal M16 1-pole switching	4a	1250	NH-Latr 4A 4P EP L8L8	1	14,00	34440-0000

NH Fuse-Switches, horizontal design

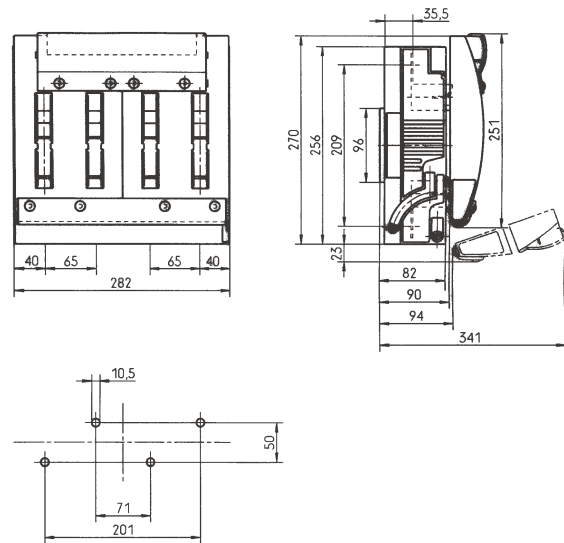
Dimensions drawings, size 00, 160 A



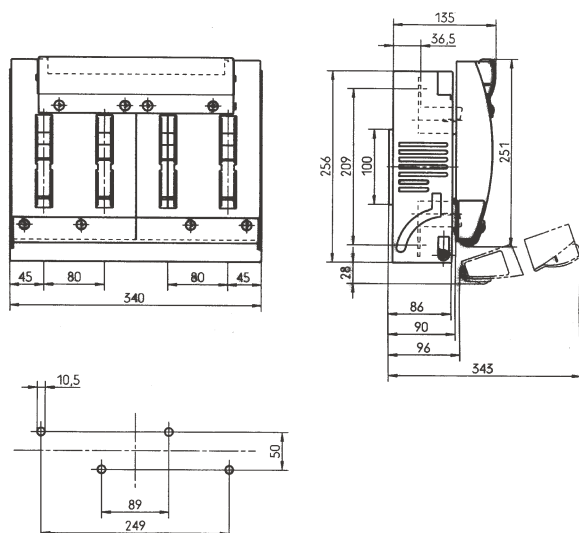
Dimensions drawings, size 1, 250 A



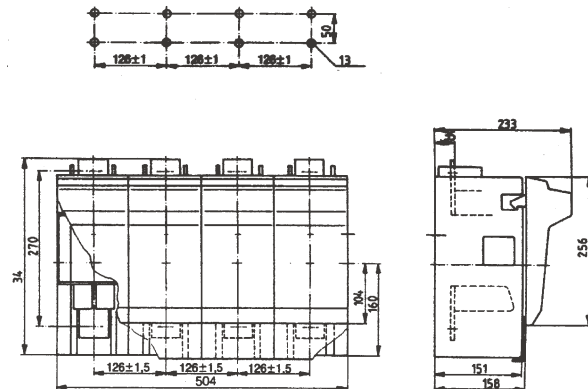
Dimensions drawings, size 2, 400 A



Dimensions drawings, size 3, 630 A



Dimensions drawings, size 4a, 1250 A



Power distribution components

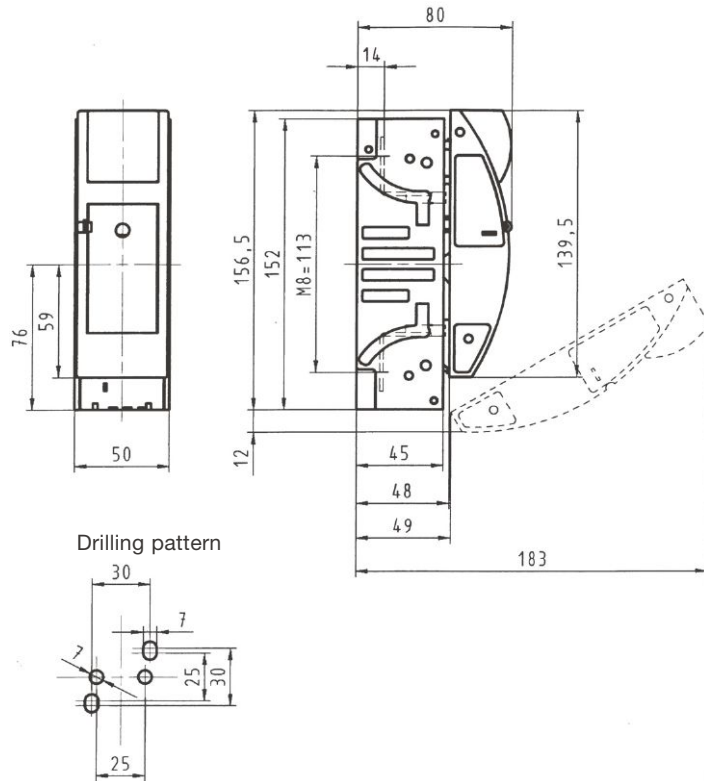
NH Fuse-Switches, horizontal design

NH Fuse-Switch, horizontal design, 1-pole, for baseplate or supporting-rail mounting

Description	Size	Amps I_{th}	Designation	PU	Weight in kg	Order no.
With multiple-use terminal (bolt M8)	00	160	NH-LATR 00IN 1P U5U5	2	0,350	33136-0010
With multiple-use terminal (bolt M8) for busbar mounting	00	160	NH-LATR 00IN 1P SB U5	2	0,350	33137-0010

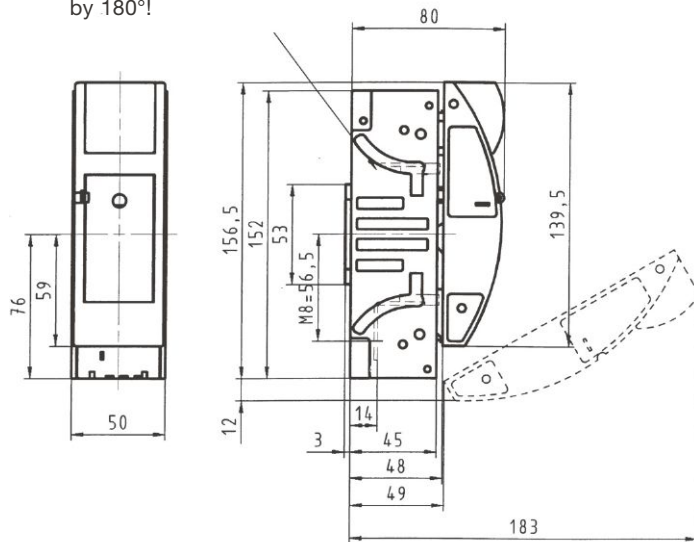
NH Fuse-Switches, horizontal design

Dimensions drawings 33136-0010



Dimensions drawings 33137-0010

Top/bottom feed selectable
by turning the switch frame
by 180°!



Connection to busbar

DC Fuse disconnecter 10 x 38

Protection of DC photovoltaic (PV) systems against overcurrent and short-circuits

Size	10,3 x 38 mm
Rated voltage	1000 V DC
Rated current	1 to 32 A
Mechanical service life	5000 cycles
IP class	IP2X terminals
Utilization category	DC 20B
Minimum clearance	gPV
Power loss per terminal at 32 A (Pvt)	1,1 W
Compatible cylindrical caps (fuse-links)	Silver-coated copper
Compatible fuse-links	Recommendation: 55030-xxxx gPV – PV fuse-links
Note	DO NOT OPERATE UNDER LOAD

Rated voltage	Rated current	Terminal	Weight	PU	Order no.
1000 V DC	1 to 32 A	1 P	62 gr.	12	76300-0100
		1 P	62 gr.	12	76301-0100
		2 P	122 gr.	6	76300-0200
		2 P	122 gr.	6	76301-0200

Temperature	Operating temperature: - 25 °C to + 50 °C Storage temperature - 25 °C to + 80 °C
Temperature-induced power reduction	Fuse-disconnectors are designed for use at rated current at 20 °C. They are inspected with a slightly vertically inclined fuse and in a controlled environment. When using a fuse-disconnector under any other conditions, the standard data must be adjusted by respective correction factors.

Temperature correction factors

Correction factors for adjustment to ambient temperature:

Ambient temperature	20 °C	30 °C	40 °C	50 °C
Rated current	I_n	$0,95 \times I_n$	$0,90 \times I_n$	$0,80 \times I_n$

Group correction factor

Rated current reduced by factor K

If fuse-disconnectors are installed in groups, attention must be paid to their heating potential when operated at rated load. Depending on the fuse-link used, each fuse-disconnector dissipates power, possibly making the air temperature around the switch exceed the ambient temperature of the switchgear cabinet.

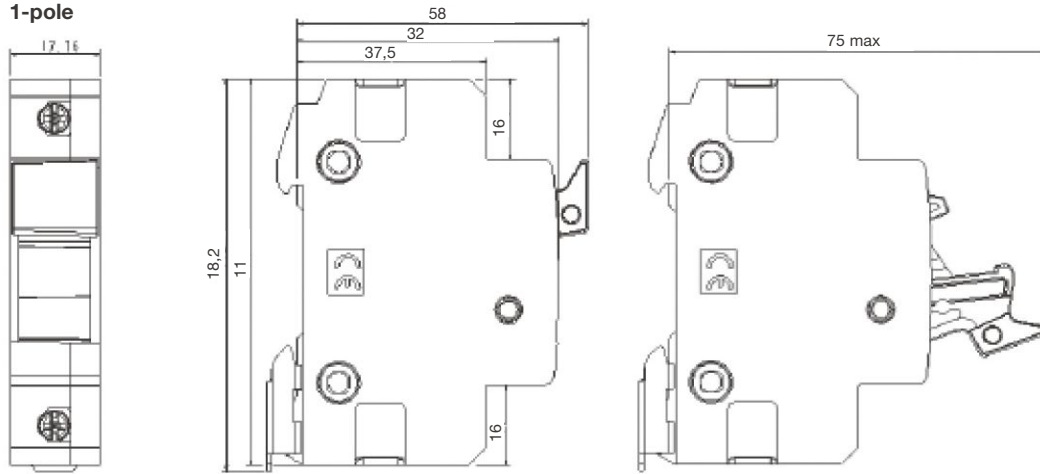
Number of units n	K (group correction factor)
$1 \leq n < 4$	1
$4 \leq n < 7$	0,8
$7 \leq n < 10$	0,7
$10 \leq n$	0,6

Installation:

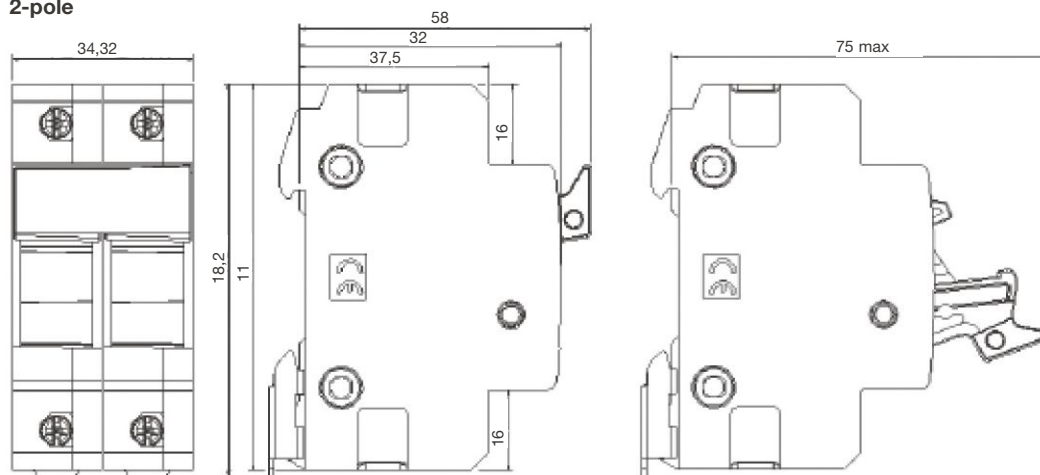
Installation	DIN busbar 50.022/-35
Rated voltage	Power supply via top and bottom terminals
Type of connection	Rigid conductors 1 to 16 mm ² Flexible conductors: 0.75 to 10 mm ²
Cables per terminal	max. 2
Terminal type	Input side = screw terminal (PZ2) Output side = screw terminal (PZ2)
Tunnel terminal	Pozidriv screw head size 2 and 5.5 mm slotted-head screw
Tightening torque:	2 Nm
Cable type	Copper for rigid and flexible conductors (with or without end sleeves)
Installation height	max. 2.000 m
Installation position	Vertical, horizontal and flat installation possible without power dissipation
DIN gripping lug	DIN bottom gripping lug, metal or plastic

DC Fuse disconnecter 10 x 38

Dimensions DC Fuse disconnecter,
1-pole



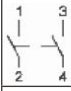
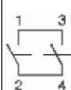
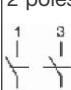
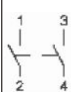
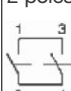
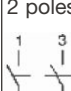
Dimensions DC Fuse disconnecter,
2-pole



DC Disconnect

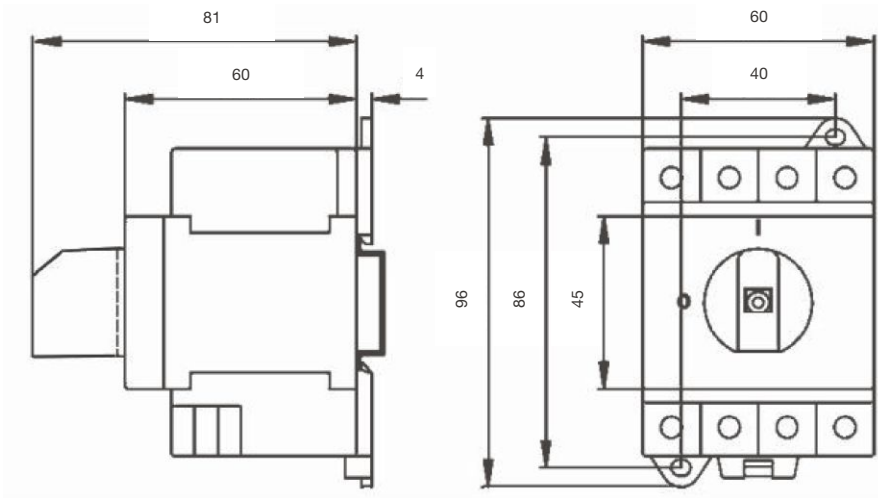
DC Disconnect 1000 V

Electrical characteristics

	Conventional free-air thermic current	I_{th}	32 A		
	Rated insulation voltage	U_i	1000 V		
	Rated impulse voltage	U_{imp}	8 kV		
	Pollution degree		3		
Rated current I_e		500 V DC	600 V DC	800 V DC	1000 V DC
DC21B L/R = 1 ms	2 poles in series 	32 A	32 A	23 A	13 A
	2 poles in series + 2 parallel poles 	58 A	58 A	23 A	13 A
	2 poles in series 	32 A	32 A	32 A	32 A
DC22B L/R = 2.5 ms	2 poles in series 	9 A	6,5 A	3 A	2 A
	2 poles in series + 2 parallel poles 	-	-	-	-
	2 poles in series 	32 A	27 A	12,5 A	10 A
Mechanical service life	Number of cycles		10.000		
Terminals	Busbar		4 – 16 mm ²		
	Cable (solid)		4 – 10 mm ²		
	Cable (stranded)		4 – 10 mm ²		
	Screw terminal size		M4 Pz2		
	Tightening torque		1.2 – 1.8 Nm		
Ambient temperature	when open		-40 to +65 °C		
	when closed		-40 to +40 °C		
	in storage		-50 to +90 °C		
Weight			216 g		

DC Disconnect

Dimensions of DC Disconnect

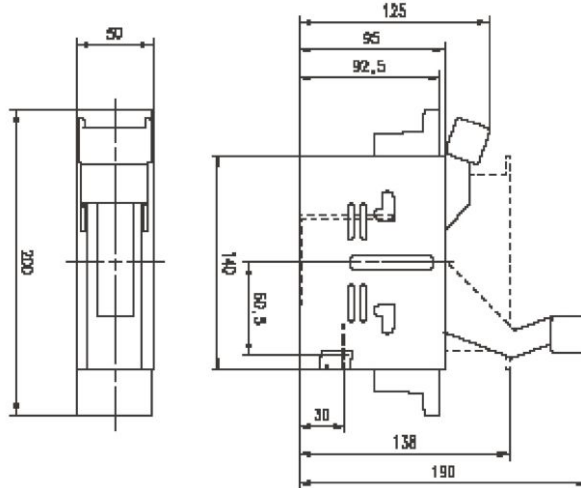
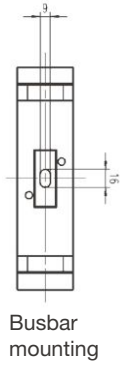
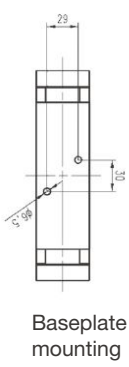


NH Fuse-Switches, horizontal design, 80 V DC

TPS Fuse-Switch

TPS 00/250

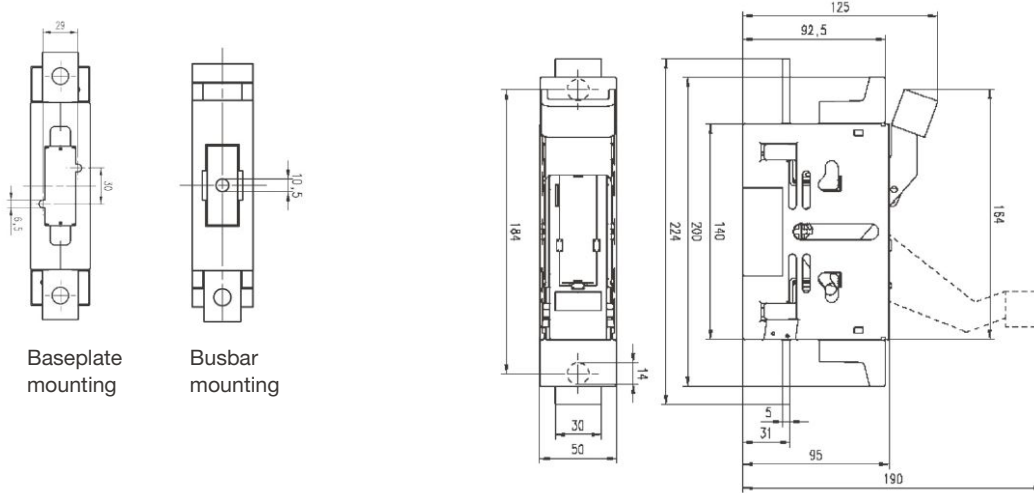
Power distribution components



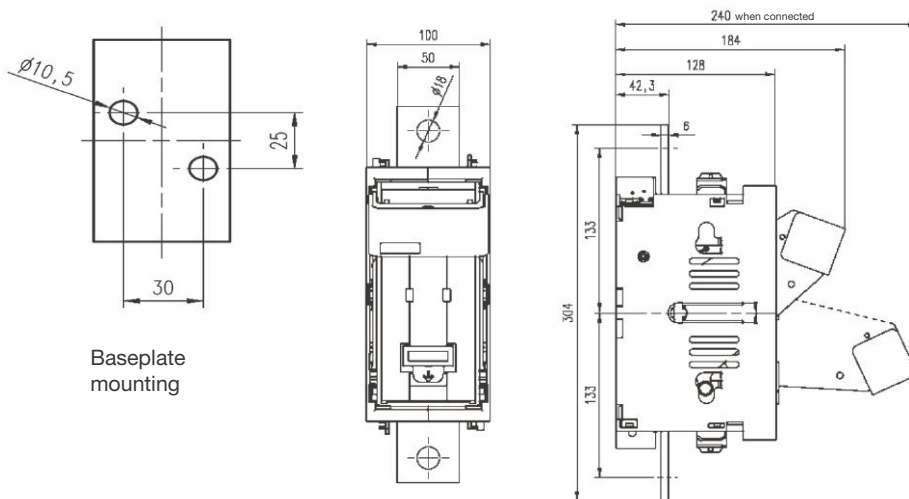
NH Fuse-Switches, horizontal design, 80 V DC

TPS Fuse-Switch

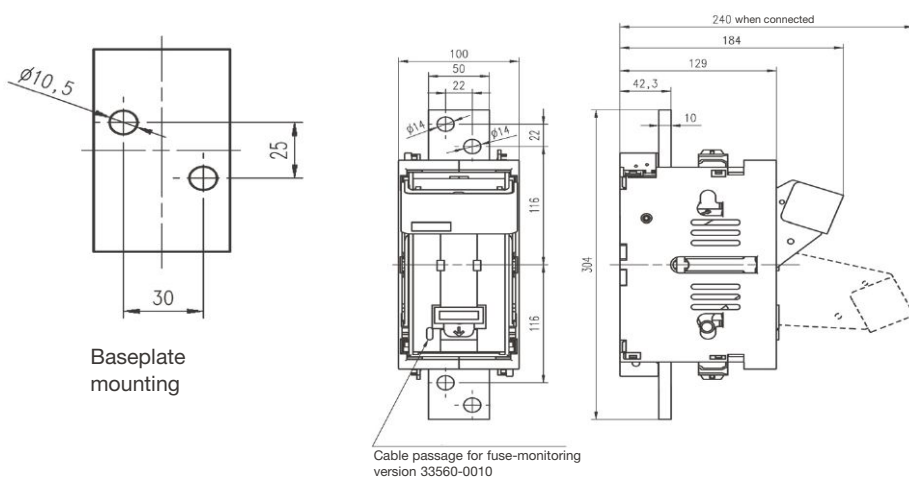
TPS 00/600



TPS 2/1200



TPS 2/1600



Power distribution components

NH Fuse-Switches, horizontal design, 550 V DC

Technical data for 1-pole NH Fuse-Switches acc. to VDE 0660 T107 / IEC/EN 60947-3

Suitable for NH fuse-links acc. to DIN 43620/11	Size	00	1	2	3	4a
Rated operating current I_e	A	160	250	400	630	1250 1600
Conventional free-air thermic current I_{th}	A	160	250	400	630	1250 1600
Rated operating voltage U_e	V	690	690	690	690	690
Rated isolation voltage U_i	V	800	800	800	800	800
Rated impulse withstand-current U_{imp}	kV	8	8	8	8	8
Conditional rated short-circuit current (when protected by NH fuse-links)	kA	50	50	50	50	50
Weight without fuse-links	kg	0,38	2,4	2,4	2,5	4,2
Utilization category acc. to VDE 0660 T107	$U_e=400\text{ V}$ $U_e=690\text{ V}$ $U_e=440\text{ V}$	AC-22 B AC-21 B DC-21 B	AC-22 B AC-21 B DC-21 B	AC-22 B AC-21 B DC-21 B	AC-22 B AC-21 B DC-21 B	AC-22 B AC-21 B DC-21 B
Permissible ambient temperature	°C	-40 to +55 °C				

Tightening torques for terminals and busbar contacting (Nm)

Type of connection	00	1	2	3	4a
Flat terminal	14 Nm	32 Nm	32 Nm	32 Nm	56 Nm
Multiple-use terminal U3 with pressure plate	4				
Multiple-use terminal U4 with pressure plate and contact prism	4				

NH Fuse-Switches, horizontal design, 550 V DC

NH Fuse-Switches, horizontal design, 1-pole switching, for baseplate mounting

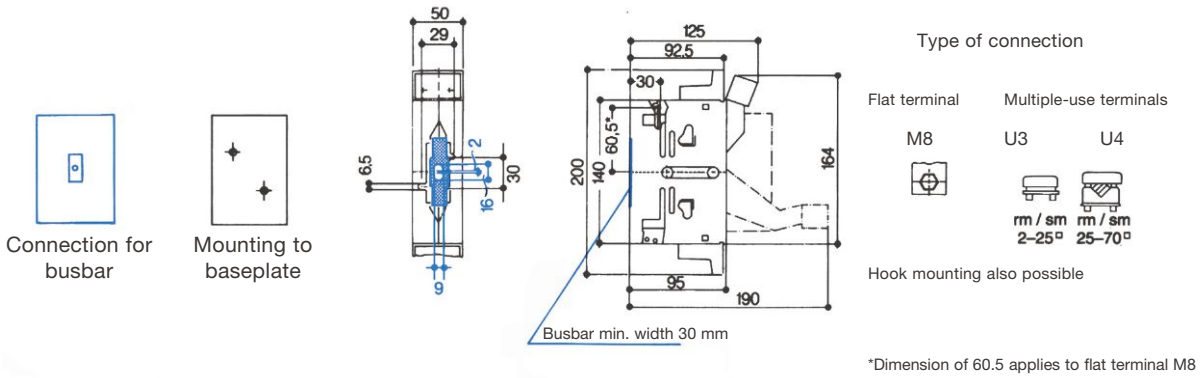
Description	Size	Amps I _n	Designation	PU	Weight in kg	Order no.
Flat terminal M8	00	160	NH-Latr. 00 1P SC G4G4	2	0,36	33107-0010
Multiple-use terminal U3 with pressure plate for 2.5 – 25 mm ²	00	125	NH-Latr. 00 1P SC U3U3	2	0,35	33108-0010
Multiple-use terminal U4 with pressure plate and contact prism for 25 – 70 mm ²	00	160	NH-Latr. 00 1P SC U4U4	2	0,38	33109-0010
Flat terminal M10	1	250	NH-Latr. 1 1P SC L5L5	2	2,03	33095-0010
Flat terminal M10	2	400	NH-Latr. 2 1P SC L5L5	2	2,03	33096-0010
Flat terminal M12	3	630	NH-Latr. 3 1P SC L6L6	2	2,22	33097-0010
Flat terminal M16	4a	1250	NH-Latr./Unt. 4a 1P L8L8	1	4,14	33047-0010
Flat terminal M12	4a	1600	NH-Latr./Unt. 4a 1P 1600 A L6L6	1	4,45	33047-0070

NH Fuse-Switches, horizontal design, 1-pole switching, for busbar mounting

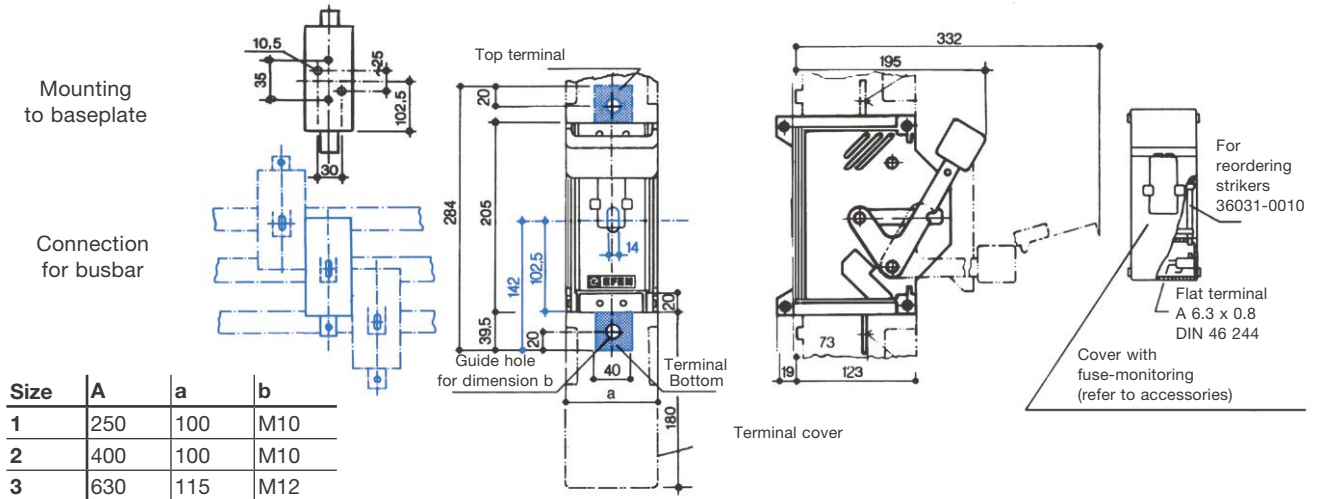
Terminal pos.	Type/Design	Size	Amps I _n	Designation	PU	Weight in kg	Order no.
Top/ bottom, can be selected during installation	Flat terminal M8	00	160	NH-Latr. 00 1P SB SC G4	2	0,38	33111-0010
	Multiple-use terminal U3 with pressure plate for 2.5 – 25 mm ²	00	125	NH-Latr. 00 1P SB SC U3	2	0,37	33112-0010
	Multiple-use terminal U4 with pressure plate and contact prism for 25 – 70 mm ²	00	160	NH-Latr. 00 1P SB SC U4	2	0,38	33113-0010
Top	Flat terminal M10	1	250	NH-Latr. 1 1PO SB SC L5	2	1,68	33098-0020
	Flat terminal M10	2	400	NH-Latr. 2 1PO SB SC L5	2	1,69	33099-0020
	Flat terminal M12	3	630	NH-Latr. 3 1PO SB SC L6	2	1,79	33100-0020
	Flat terminal M16	4a	1250	NH-Latr./Unt. 4a 1POSB L8	1	4,10	33048-0020
	Flat terminal M12	4a	1600	NH-LATR/UNT 4A 1PU SB 1600 A L6	1	4,35	33048-0030
Bottom	Flat terminal M10	1	250	NH-Latr. 1 1PU SB SC L5	2	1,68	33098-0010
	Flat terminal M10	2	400	NH-Latr. 2 1PU SB SC L5	2	1,70	33099-0010
	Flat terminal M12	3	630	NH-Latr. 3 1PU SB SC L6	2	1,80	33100-0010
	Flat terminal M16	4a	1250	NH-Latr./Unt. 4a 1PU SB L8	1	4,09	33048-0010
	Flat terminal M12	4a	1600	NH-LATR/UNT 4A 1PO SB 1600 A L6	1	4,35	33048-0040

NH Fuse-Switches, horizontal design, 550 V DC

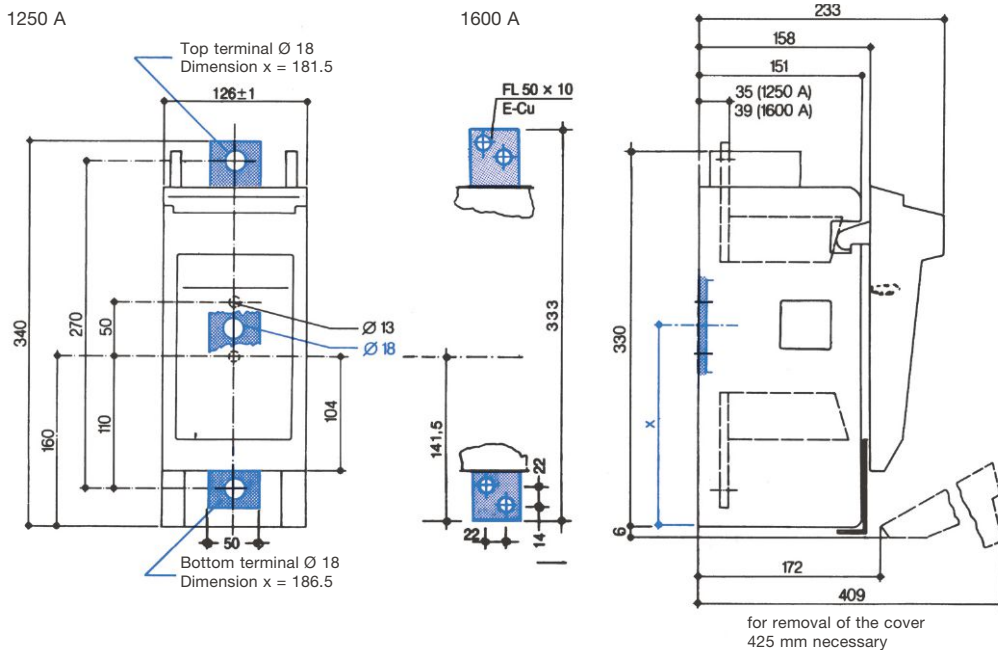
NH Fuse-Switch, horizontal design, size 00: 125/160 A



NH Fuse-Switch, horizontal design, size 1 – 3 250 A, 400 A, 630 A



NH Fuse-Switches, size 4a: 1250 A, 1600 A



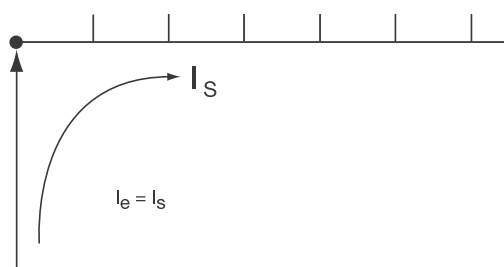
Feeding devices Accessories

Technical data acc. to DIN EN 60947-1 VDE 0660 T100 / IEC 60947-1:2004 for size 000, narrow version and size 00

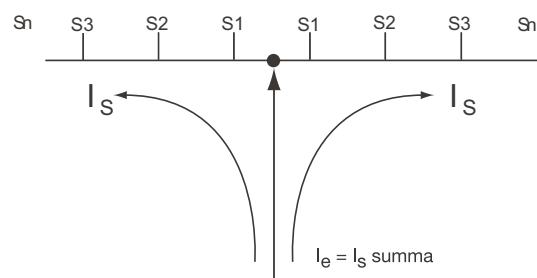
Description		
Materials	Busbar	E – Cu 58 F25
	Insulation	PC/ABS extruded – light gray RAL 7035
	End cap	PC/ABS injection-molded – light gray RAL 7035
	Terminal cover	PA66 V0 injection-molded – light gray RAL 7035
Temperature resistance	PC/ABS extruded	VST B 120 – ISO 306 = 113°C-UL94-VO/1,5
	PC/ABS injection-molded	VST B 120 – ISO 306 = 138°C – UL94-V01,6
Insulation coordination	Overvoltage category III / pollution degree 2	
Electric strength	PC / ABS	> 32 kV / mm
Impulse-withstand voltage	= / > 6,0kV (1kV/mmLS)	
Minimum air gap	> 8 mm	
Minimum creepage distance	> 8,5 mm	
Maximum operating voltage	690 V AC / 440 V DC	
Rated operating voltage	415 V	
Short-circuit resistance	12,5 kA – 100 ms / 400 V	

Resistance at 35 °C ambient temperature and depending on feed point

Busbar block length (m)	Max.1	Max. 0,3
Busbar cross-section	35 mm ²	35 mm ²
Feed connected at busbar start or end	125 A	200 A
Maximum Max. busbar current I_s/phase	125 A	200 A
Connection cross-section	35 mm ²	2x35 mm ²
Feed connected at any other position		
Maximum Max. busbar current I_s/phase	160 A	260 A
Connection cross-section	2x35 mm ²	95 mm ²
Feeding devices for size 000	-	2 - 5
Feeding devices for size 00	4 – 5 fach	2 - 3



Feed connected at busbar start or end



Feed connected at any other position

Note: If the feed is connected at the center of the busbar, the total outgoing current S1.....S_n of each busbar branch must not exceed the maximum busbar current I_s/phase stated above.



NH Fuse-Switches, vertical design and Fuse-Rails

As a specialist for safety interfaces, EFEN offers a proven assortment of NH Fuse-Switches, vertical-design and Fuse-Rails in various series with many options and versions for customer-oriented solutions.

System

The vertical-design NH fuse-switches of the **E³** series have been developed to meet all current and future needs of the modern power industry.

The series has been developed with a special focus on the responsible handling of energy as a resource. The ease of installation sets standards when installing and connecting. Excellent electric parameters such as 120 kA short-circuit resistance complement the product.

Features

All components are made of high-quality materials. Full range of accessories for monitoring and controlling provides the user with various options. They can be retrofitted at all times.

Mounting without drilling is equally possible at all times. There are various locking and park-position options to ensure safety.



NH Fuse-Switches, vertical design and Fuse-Rails

NH Fuse-Switches, vertical design	
3-pole switching, for 60 mm busbar systems	page 182
for 100 mm busbar systems	page 182
for 185 mm busbar systems	page 183
NH Fuse-Switches, vertical design	
1-pole switching, for 100 mm busbar systems	page 187
for 185 mm busbar systems	page 187
NH Fuse-Rails for 100 mm busbar systems	page 191
for 185 mm busbar systems	page 191
Accessories	page 192
Technical data	page 206
Solutions for measurement and power management	page 351

E³ NH Fuse-Switches, vertical-design and Fuse-Rails



NH Fuse-Switch, vertical design
630 kVA



Multiple connection options



NH Fuse-Switch, vertical design,
size 4a, 1-pole switching



Multifunctional device carrier



NH Fuse-Rail
EDURO Series



Touch protection system IP2X



E³ NH Fuse-Switches, vertical design, 3-pole switching for 60 mm and 100 mm systems

► Technical data, page 210

Power distribution components



38044-0020

E³ NH Fuse-Switches, vertical design, size 00/60, 3-pole switching, 160 A, for 60 mm busbar systems with hook contacting

Features:

- With reversible mounting hook
- Various connection options

Designation	Size	Amps	PU	Product designation	Order no.
With multiple-use terminal (bolt M8)	00/60	160	1	E ³ NH-LA-LEI 00/60 3P U5	38044-0020
With box clamp 95 mm ²	00/60	160	1	E ³ NH-LA-LEI 00/60 3P R5	38046-0020



38054-0020

E³ NH Fuse-Switches, vertical design, size 00/100, 3-pole switching, 160 A, for 100 mm busbar mounting

Features:

- Various connection options
- Ready for current transformer
- Top or bottom terminals selectable

Designation	Size	Amps	PU	Product designation	Order no.
With multiple-use terminal (bolt M8), for hook-mounting, hook included	00/100	160	1	E ³ NH-La-Lei 00/100 3P Bh U5	38054-0020
With box clamp 95 mm ² , for hook-mounting, hooks included	00/100	160	1	E ³ NH-La-Lei 00/100 3P Bh R5	38056-0020
With multiple-use terminal (bolt M8), for transformer installation	00/100	160	1	E ³ NH-LA-LEI 00/100 3P WV U5	38054-0050
With box clamp 95 mm ² , for transformer installation	00/100	160	1	E ³ NH-LA-LEI 00/100 3P WV R5	38056-0050

E³ NH Fuse-Switches, vertical design, 3-pole switching for 185 mm busbar systems

► Technical data, page 211



38064-0020

E³ NH Fuse-Switches, vertical design, size 00/185, 3-pole switching, 160 A, for 185 mm busbar mounting

Features:

- Direct mounting
- Variant with elevated feed bracket at 150 mm installation depth
- Variant for installation of PSR 203 current transformers

Designation	Size	Amps	PU	Product designation	Order no.
With multiple-use terminal (bolt M8), for hook-mounting	00/185 160	160	1	E ³ NH-La-Lei 00/185 3P U5	38064-0020
With box clamp 95 mm ² , for hook-mounting	00/185 160	160	1	E ³ NH-La-Lei 00/185 3P R5	38066-0020
V-terminal (not including V-clamps)	00/185 160	160	1	E ³ NH-La-Lei 00/185 3P SWP V2	38065-0021
With multiple-use terminal (bolt M8), elevated feed bracket adjacent to size 1 – 3	00/185 160	160	1	E ³ NH-LA-LEI 00/185 3P Eh5 U5	38064-0070
With box clamp 95 mm ² , with elevated feed bracket for direct mounting adjacent to size 1 – 3	00/185 160	160	1	E ³ NH-LA-LEI 00/185 3P Eh5 R5	38066-0070
With multiple-use terminal (bolt M8), elevated feed bracket adjacent to size 1 – 3, ready for PSR 203 transformer installation	00/185 160	160	1	E ³ NH-LA-LEI 00/185 3P WV EH5 U5	38064-0090
With box clamp 95 mm ² , with elevated feed bracket for direct mounting adjacent to size 1 – 3, ready for PSR 203 transformer installation	00/185 160	160	1	E ³ NH-LA-LEI 00/185 3P WV EH5 R5	38066-0090



38016-0020

E³ NH Fuse-Switches, vertical design, size 1 to 3, 3-pole switching, for 185 mm busbar systems

Designation	Size	Amps	PU	Product designation	Order no.
With multiple-use terminal (bolt M12)	1	250	1	E ³ NH-LA-LEI 1 3P U6	38016-0020
With multiple-use terminal (bolt M12)	2	400	1	E ³ NH-LA-LEI 2 3P U6	38026-0020
With multiple-use terminal (bolt M12)	3	630	1	E ³ NH-LA-LEI 3 3P U6	38036-0020
With V2N terminal (not including clamps)	1	250	1	E ³ NH-LA-LEI 1 3P V2N	38015-0020
With V2N terminal (not including clamps)	2	400	1	E ³ NH-LA-LEI 2 3P V2N	38025-0020
With V2N terminal (not including clamps)	3	630	1	E ³ NH-LA-LEI 3 3P V2N	38035-0020



38070-0730

E³ NH Fuse-Switches, vertical design, size 3, 3-pole switching, for 185 mm busbar systems, 910 A

Designation	Size	Amps	PU	Product designation	Order no.
Screw terminal 3 x 185 mm ²	3	910	1	E ³ NH-La-Lei 3 910A 3P 3x185mm ²	38070-0670
Screw terminal M12 rear, horizontal	3	910	1	E ³ NH-La-Lei 3 910A 3Phh L6	38070-0730
Special screw terminal M16 and M12	3	910	1	E ³ NH-La-Lei 3 910A 3PHg L8L6	38070-0770
Screw terminal M12	3	910	1	E ³ NH-La-Lei 3 910A 3P S6S6	38070-0790



38010-0160

E³ NH Fuse-Switches, vertical design, size 1 – 3, 3-pole switching, as coupling unit for connecting 2 busbar systems

Designation	Size	Amps	PU	Product designation	Order no.
Size 1, 3-pole switching	1	250	1	E ³ NH-LA-LEI 1 3P KI	38010-0160
Size 2, 3-pole switching	2	400	1	E ³ NH-LA-LEI 2 3P KI	38020-0160
Size 3, 3-pole switching	3	630	1	E ³ NH-LA-LEI 3 3P KI	38030-0160

E³ NH Fuse-Switches, vertical design, 3-pole switching for 185 mm busbar systems

► Technical data, page 230

Power distribution components



38036-0180

E³-NH Fuse-Switch, vertical design, size 3, 3-pole switching for parallel operation of 2 NH Fuse-Switches

Features:

- Terminal: four M12 bolts
- For other types please inquire
- Precise split of the current flow by pre-assembled terminals

Designation	Size	Amps	PU	Product designation	Order no.
E ³ -NH fuse-switch, vertical design, for parallel operation of 2 NH fuse-switches (twinning kit), terminal M12	3	1260	1	E ³ NH-LA-LEI 3 3P Zw U6	38036-0180



38036-0080

E³ NH Fuse-Switches, vertical design, size 3, 3-pole switching with fixed 1000 A solid-links as feed switch

Features:

- Top or bottom terminal
- Two M12 screw terminals

Designation	Size	Amps	PU	Product designation	Order no.
Feed switch 1000 A with fixed solid-link	3	1000	1	E ³ NH-LA-TR-LEI 1000A 3P U6	38036-0080



38030-0220

E³ NH Fuse-Switches, vertical design, for connecting 2 busbar systems, 3-pole, with fixed 1000 A solid-link

Designation	Size	Amps	PU	Product designation	Order no.
Incoming switch with integrated solid-link, for busbar isolation, internal terminal	3	1000	1	E ³ NH-LA-TR-LEI 1000A 3P KL	38030-0220
Incoming switch with integrated solid-link, for busbar isolation, terminal on the right-hand side, for current transformer installation	3	1000	1	E ³ NH-LA-TR-LEI 1000A 3P KL2	38030-0240



Internal terminal



Lateral terminal

E³ NH Fuse-Switches, vertical design, 3-pole switching for 185 mm busbar systems

► Technical data, page 236



38034-0300

E³ NH Fuse-Switches, vertical design, size 3, 3-pole switching, with fixed 1000-A solid-link for 2000 A

Designation	Size	Amps	PU	Product designation	Order no.
Multiple-use terminal (bolt M12)	3	2000	1	E ³ NH-LA-TR-LEI 2x1000A 3P Zw U6	38036-0300
Coupling unit, supported on left-hand side	3	2000	1	E ³ NH-LA-TR-LEI 2000A 3P KL2	38030-0350



38016-0460

E³ NH Fuse-Switches, vertical design, size 1 to 3, 3-pole switching, for 185 mm busbar systems, high performance

Features:

- 20 % less power dissipation
- 120 kA short-circuit resistance
- Excellent economic efficiency

Designation	Size	Amps	PU	Product designation	Order no.
With multiple-use terminal (bolt M12)	1	250	1	E ³ NH-LA-LEI 1 3P HP U6	38016-0460
With multiple-use terminal (bolt M12)	2	400	1	E ³ NH-LA-LEI 2 3P HP U6	38026-0460
With multiple-use terminal (bolt M12)	3	630	1	E ³ NH-LA-LEI 3 3P HP U6	38036-0460



Example for IP2X application

E³ NH Fuse-Switches, vertical design, for IP2X applications

Designation	Size	Amps	PU	Product designation	Order no.
E ³ NH-LA-LEI 00/185 1P Bh IP20 U5	00/185	160	1	E ³ NH-LA-LEI 00/185 1P Bh IP20 U5	38064-0500
E ³ NH-LA-LEI 00/185 3P Bh IP20 U5	00/185	160	1	E ³ NH-LA-LEI 00/185 3P Bh IP20 U5	38064-0520
E ³ NH-LA-LEI 1 3P IP20 U6	1	250	1	E ³ NH-LA-LEI 1 3P IP20 U6	38016-0520
E ³ NH-LA-LEI 2 3P IP20 U6	2	400	1	E ³ NH-LA-LEI 2 3P IP20 U6	38026-0520
E ³ NH-LA-LEI 3 3P IP20 U6	3	630	1	E ³ NH-LA-LEI 3 3P IP20 U6	38036-0520
Busbar cover IP20	00-3		1	Sammelschienenabdeckung IP20	36329-0010
Feeding clamp IP2X V2MD 240sm / 300rm	00-3		3	Einspeiseklemme IP2X V2MD 240sm/300rm	36846-0040

NH Fuse-Switches, vertical design, 3-pole switching, for 185 mm busbar systems

► Technical data, page 238



38300-1275

NH Fuse-Switches, vertical design, size 3, 3-pole switching, 630 kVA, NTSL series

Designation	Size	Amps	PU	Product designation	Order no.
Screw terminal M12, bottom terminal, 3-pole switching	3	630kVA	1	NH-LA-LEI 3 3PU 630KVA VE SM ST GG L6	38300-1275
Screw terminal M12, top terminal, 3-pole switching	3	630kVA	1	NH-LA-LEI 3 3PO 630KVA VE SM ST GG L6	38350-1275
Special terminal for 60 mm busbars, top terminal, 3-pole switching	3	630kVA	1	NH-LA-LEI 3 3PO 630KVA SV L8 (L6)	38350-1595
Screw terminal M12, rear terminal, 3-pole switching	3	630kVA	1	NH-LA-LEI 3 3PH 630KVA VE GG S6	38374-1495

Power distribution components

E³ NH Fuse-Switches, vertical design, 1-pole switching, for 100 mm and 185 mm busbar systems

► Technical data, page 210



38054-0000

E³ NH Fuse-Switches, vertical design, size 00/100, 1-pole switching, 160 A, for 100 mm busbars

Features:

- Various connection options
- Ready for current transformer
- Top or bottom terminals selectable

Designation	Size	Amps	PU	Product designation	Order no.
With multiple-use terminal (bolt M8), for hook-mounting, hook included	00/100 160	160	1	E ³ NH-LA-Lei 00/100 1P Bh U5	38054-0000
With box clamp 95 mm ² , for hook-mounting, hooks included	00/100 160	160	1	E ³ NH-LA-LEI 00/100 1P R5	38056-2000
With multiple-use terminal (bolt M8), for transformer installation	00/100 160	160	1	E ³ NH-LA-LEI 00/100 1P WV U5	38054-0040
With box clamp 95 mm ² , for transformer installation	00/100 160	160	1	E ³ NH-LA-LEI 00/100 1P WV R5	38056-0040



38064-0060

E³ NH Fuse-Switches, vertical design, size 00/185, 1-pole switching, 160 A, for 185 mm busbars

Features:

- Direct mounting
- Variant with elevated feed bracket at 150 mm installation depth
- Variant for installation of PSR 203 current transformers

Designation	Size	Amps	PU	Product designation	Order no.
With multiple-use terminal (bolt M8), f or hook-mounting	00/185 160	160	1	E ³ NH-La-Lei 00/185 1P U5	38064-0000
With box clamp 95 mm ² , for hook-mounting	00/185 160	160	1	E ³ NH-La-Lei 00/185 1P R5	38066-0000
With V2 terminal (not including clamps)			1	E ³ NH-La-Lei 00/185 1P SWP V2	38065-0001
With multiple-use terminal (bolt M8), elevated feed bracket adjacent to size 1 – 3	00/185 160	160	1	E ³ NH-LA-LEI 00/185 1P Eh5 U5	38064-0060
With box clamp 95 mm ² , with elevated feed bracket for direct mounting adjacent to size 1 – 3	00/185 160	160	1	E ³ NH-LA-LEI 00/185 1P Eh5 R5	38066-0060
With multiple-use terminal (bolt M8), with elevated feed bracket for direct mounting adjacent to size 1 – 3, ready for PSR 203 transformer installation	00/185 160	160	1	E ³ NH-LA-LEI 00/185 1P WV EH5 U5	38064-0080
With box clamp 95 mm ² , with elevated feed bracket for direct mounting adjacent to size 1 – 3, ready for PSR 203 transformer installation	00/185 160	160	1	E ³ NH-LA-LEI 00/185 1P WV EH5 R5	38066-0080

E³ NH Fuse-Switches, vertical design, 1-pole switching, for 185 mm busbar systems

► Technical data, page 214

Power distribution components



38016-0000

E³ NH Fuse-Switches, vertical design, size 1 – 3, 3-pole switching, for 185 mm busbar systems

Designation	Size	Amps	PU	Product designation	Order no.
With multiple-use terminal (bolt M12)	1	250	1	E ³ NH-LA-LEI 1 1P U6	38016-0000
With multiple-use terminal (bolt M12)	2	400	1	E ³ NH-LA-LEI 2 1P U6	38026-0000
With multiple-use terminal (bolt M12)	3	630	1	E ³ NH-LA-LEI 3 1P U6	38036-0000
With V2N terminal (not including clamps)	1	250	1	E ³ NH-LA-LEI 1 1P V2N	38015-0000
With V2N terminal (not including clamps)	2	400	1	E ³ NH-LA-LEI 2 1P V2N	38025-0000
With V2N terminal (not including clamps)	3	630	1	E ³ NH-LA-LEI 3 1P V2N	38035-0000



38036-0600

E³ NH Fuse-Switches, vertical design, size 1 – 3, 1-pole switching, with flush handle

Features:

- For 168 mm installation depth

Designation	Size	Amps	PU	Product designation	Order no.
With multiple-use terminal (bolt M12)	1	250	1	E ³ NH-LA-LEI 1 1P Fb U6	38016-0600
With multiple-use terminal (bolt M12)	2	400	1	E ³ NH-LA-LEI 2 1P Fb U6	38026-0600
With multiple-use terminal (bolt M12)	3	630	1	E ³ NH-LA-LEI 3 1P Fb U6	38036-0600

NH Fuse-Switches, vertical design, 1-pole switching, for 185 mm busbar systems

► Technical data, page 234



38400-0000

NH Fuse-Switches, vertical design, size 4a, 1-pole switching, for 185 mm busbar systems

Designation	Size	Amps	PU	Product designation	Order no.
Bottom terminals, screw terminal M16	4a	1250	1	NH-LA-LEI 4A 1PU L8	38400-0000
Top terminals, screw terminal M16	4a	1250	1	NH-LA-LEI 4A 1PO L8	38450-0000
Bottom terminals, screw terminal 2 x M12	4a	1600	1	NH-LA-LEI 4A 1PU 1600A L6	38400-0020
Top terminals, screw terminal 2 x M12	4a	1600	1	NH-LA-LEI 4A 1PO 1600A L6	38450-0020



38070-0760

E³ NH Fuse-Switches, vertical design, size 3, 1-pole switching, for 185 mm busbar systems, 910 A

Designation	Size	Amps	PU	Product designation	Order no.
Screw terminal M12 rear side, horizontal	3	910	1	E ³ NH-La-Lei 3 910A 1Phh L6	38070-0720
Special screw terminal M16 and M12	3	910	1	E ³ NH-La-Lei 3 910A 1PHg L8L6	38070-0760
Screw terminal M12	3	910	1	E ³ NH-La-Lei 3 910A 1P S6S6	38070-0780
Screw terminal M16, rear side, elevated bracket	3	910	1	E ³ NH-La-Lei 3 910A 1Phhw L8	38070-0830
Screw terminal rear side, upper left-hand side	3	910	1	E ³ NH-La-Lei 3 910A 1PhwLO	38077-0820



38300-1235

NH Fuse-Switches, vertical design, size 3, 1-pole switching, 630 kVA, NTSL series

Designation	Size	Amps	PU	Product designation	Order no.
Screw terminal M12, bottom terminal, 1-pole switching	3	630kVA	1	NH-LA-LEI 3 1PU 630KVA VE SM ST GG L6	38300-1235
Screw terminal M12, top terminal, 1-pole switching	3	630kVA	1	NH-LA-LEI 3 1PO 630KVA VE SM ST GG L6	38350-1235
Screw terminal M12, rear terminal, 1-pole switching	3	630kVA	1	NH-LA-LEI 3 1PH 630KVA VE GG S6	38374-1465

E³ NH Fuse-Switches, size 1-3, 1-pole switching, for 185 mm busbar systems, feed switches and parallel switches, coupling units

Features:

- Both terminals internal
- Busbar isolation at device center
- No space lost

Designation	Size	Amps	PU	Product designation	Order no.
Size 1, 1-pole switching	1	250	1	E ³ NH-LA-LEI 1 1P KI	38010-0150
Size 2, 1-pole switching	2	400	1	E ³ NH-LA-LEI 2 1P KI	38020-0150
Size 3, 1-pole switching	3	630	1	E ³ NH-LA-LEI 3 1P KI	38030-0150



38036-0170

E³ NH Fuse-Switches, vertical design, size 3, 1-pole switching for parallel operation of 2 NH Fuse-Switches

Features:

- Terminal: four M12 bolts
- For other types please inquire
- Precise split of the current flow by pre-assembled terminals

Designation	Size	PU	Product designation	Order no.
E ³ -NH fuse-switch, vertical design, for parallel operation of 2 NH fuse-switches (twinning kit), terminal M12	3	1	E ³ NH-LA-LEI 3 1P Zw U6	38036-0170

E³ NH Fuse-Switches, vertical design, 1-pole switching, for 185 mm busbar systems

► Technical data, page 240



38036-0290

E³ NH Fuse-Switches, vertical design, size 3, 1-pole switching, for 1000 or 2000 A

Designation	Size	Amps	PU	Product designation	Order no.
Parallel switch with integrated solid-link, multiple-use terminal (bolt M12)	3	2000	1	E ³ NH-LA-TR-LEI 2x1000A 1P Zw U6	38036-0290
Fuse-switch, vertical design, with integrated solid-link, for busbar isolation, internal terminal	3	1000	1	E ³ NH-LA-TR-LEI 1000A 1P KL	38030-0210
Fuse-switch, vertical design, with integrated solid-link, terminal supported on left-hand side	3	1000	1	E ³ NH-LA-TR-LEI 1000A 1P KL2	38030-0230

NH Fuse-Switch coupling unit, vertical design, size 4a, 1-pole switching for connecting 2 busbar systems with 185 mm spacing

Designation	Size	Amps	PU	Product designation	Order no.
Coupling unit, 1 pole switching, terminal at the front left-hand side of busbar	4a	1250	1	NH-LA-LEI 4A 1P KL1	38400-0260



38010-0110

E³-NH Fuse-Switch, vertical design, size 1 - 3, 1-pole switching, with special terminals

Designation	Size	Amps	PU	Product designation	Order no.
Terminal on the right-hand side	1	250	1	E ³ NH-LA-LEI 1 1Pr L6	38010-0110
Terminal on the left-hand side	1	250	1	E ³ NH-LA-LEI 1 1PI L6	38010-0130
Terminal on the rear side	1	250	1	E ³ NH-LA-LEI 1 1Ph L6	38010-0090
Terminal on the right-hand side	2	400	1	E ³ NH-LA-LEI 2 1Pr L6	38020-0110
Terminal on the left-hand side	2	400	1	E ³ NH-LA-LEI 2 1PI L6	38020-0130
Terminal on the rear side	2	400	1	E ³ NH-LA-LEI 2 1Ph L6	38020-0090
Terminal on the right-hand side	3	630	1	E ³ NH-LA-LEI 3 1Pr L6	38030-0110
Terminal on the left-hand side	3	630	1	E ³ NH-LA-LEI 3 1PI L6	38030-0130
Terminal on the rear side	3	630	1	E ³ NH-LA-LEI 3 1Ph L6	38030-0090



38662-0000

NH Fuse-Switch, vertical design, size 2, 1-pole switching, EKDEO series

Designation	Size	Amps	PU	Product designation	Order no.
Clinch nut M12	2	400	1	EKDEO 1/2 1P S6	38664-0000
V-terminal (not including clamp)	2	400	1	EKDEO 1/2 1P V2	38665-0000
Stud M12 x 30	2	400	1	EKDEO 1/2 1P B6	38662-0000
V2N terminal (not including clamp)	2	400	1	EKDEO 1/2 1P V2N	38665-0470

NH Fuse-Rails for 100 mm and 185 mm busbar systems

► Technical data, page 241



38765-0001

NH Fuse-Rails, size 00 – 3, with contact and terminal cover

Designation	Amps	PU	Product designation	Order no.
Screw terminal M8, 100 mm busbar spacing	160	1	NH-LEI 00N SH G4	38550-0020
Multiple-use terminal (bolt M8), 185 mm busbar spacing	160	3	NH-LEI 00/185 SH U5	38570-0020
V2N terminal, including V-clamps 35-240 sm/35-300 se, 185 mm busbar spacing	160	2	NH-LEI 00/185 SH BG VK V2N	38575-0600
with V2 terminal (not including clamps)	160	1	E ³ NH-Lei 00/185 V2	38765-0001
Clinch nut M12, EDURO series	400	1	NH-LEI 1-2 SH S6	38864-0020
V2N terminal (not including V-clamps), EDURO series	400	1	NH-LEI 1-2 SH V2N	38865-0020
Clinch nut M12		1	NH-LEI 3N SH KH S6	38954-0140
V2N terminal (not including clamp)	630	1	NH-LEI 3N SH V2N	38955-0020
for applications up to 1200 V DC, suitable for NH fuses of size 2XL and 3L	400	1	NH-LEI 2XL/3L 2P 1200VDC 400A SH S6	38954-0030

Accessories

NH Fuse-Switches, vertical design, size 00



36338-0010

E³ twin adapter for mounting size 00/60 on busbar systems with 185 mm spacing

Designation	Size	PU	Product designation	Order no.
E ³ twin adapter for installation of size 00/60 for 185 mm busbar spacing	00/60	1	Doppeladapter E ³ 60/185	36338-0010



36337-0010

E³ twin adapter for mounting size 00/100 on busbar systems with 185 mm spacing

Designation	Size	PU	Product designation	Order no.
E ³ twin adapter for mounting of size 00/100 on busbar systems with 185 mm spacing	00/100	1	Doppeladapter E ³ 100/185	36337-0010



36440-0010

E³ twin adapter for mounting size 00/100 on busbar systems with 185 mm spacing with hook-mounting on the busbar

Designation	Size	PU	Product designation	Order no.
E ³ twin adapter for mounting of size 00/100 on 185 mm busbar spacing with hook-mounting on busbar	00/100	1	Doppeladapter E ³ 100/185 Bh	36440-0010



36339-0010

E³ single adapter for mounting size 00/100 on busbar systems with 185 mm spacing

Designation	Size	PU	Product designation	Order no.
E ³ single adapter for installation of size 00/100 on busbar systems with 185 mm spacing	00/100	4	Einfachadapter E ³ 100/185	36339-0010



36398-0010

E³ twin adapter for height adjustment when mounting size 00/185 next to size 1-3

Designation	Size	PU	Product designation	Order no.
E ³ twin adapter for height adjustment when mounting size 00/185 next to size 1 – 3	00/185	1	Doppeladapter E ³ 185/185	36398-0010



36445-0010

Blanking cover for adapter size 00, 185 mm long, 50 mm wide with spacer bolt

Designation	Size	PU	Product designation	Order no.
BLANKING COVER E ³ 50/185	00	1	LEERFELDABDECKUNG E ³ 50/185	36445-0010



36397-0010

Blanking cover for adapter size 00, 185 mm long, 50 mm wide

Designation	Size	PU	Product designation	Order no.
Blanking cover, 50 mm wide –185 mm long	00/185	1	LEERFELDABDECKUNG E ³ 50/185	36397-0010



36330-0010

Frame for length adjustment for size 00, 60/100 mm

Features:

- Length adjustment with E³-NH fuse-switches, vertical design, size 1 – 3
- Kit = 1 piece each

Designation	Size	PU	Product designation	Order no.
1 kit of upper/lower adjustment frames for length adjustment when mounting size 1 – 3.	00/60 00/100	1	AUSGLEICHSBLENDE SET E ³ GR.00	36330-0010

Accessories

NH Fuse-Switches, vertical design, size 00



36331-0010

Angle bracket

Features:

- Lateral or top installation
- 5 mm grid
- Clips onto universal sideframe
- With thread M6 or bore for PT screws Ø 3.5 mm
- Secures the protection cover

Designation	Size	PU	Product designation	Order no.
Lateral angle bracket for mounting universal sideframes	00-3	4	ABSTÜTZW. SET=4ST. E ³ GR.00-3	36331-0010



36727-0010

Lateral cover

Features:

- Lateral cover for busbars
- Mounts to E³ NH fuse-switch, vertical design

Designation	Size	PU	Product designation	Order no.
Lateral safety cover, mounted on the device	00/185 3	1	Seitlicher Berührungsschutz E ³ 00/185- 3	36727-0010



36380-0010

Identification label for size 00/60 to 00/185

Designation	Size	PU	Product designation	Order no.
Product identification label for identification holder	00/60 00/185	1	Produktbezeichnungsschild E ³ Gr.00	36380-0010



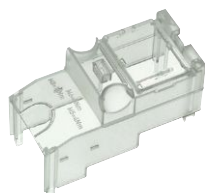
36391-0010

Identification holder, short, for size 00/185

Features:

- Fits E³-NH fuse-switches, vertical design, size 00/185

Designation	Size	PU	Product designation	Order no.
Identification holder, short, clipping to top or bottom	00/185	1	Infoträger klappbar E ³ Gr.00/185	36391-0010



36400-0010

Terminal cover, short, for size 00/60 and 00/100

Features:

- For use with box clamps

Designation	Size	PU	Product designation	Order no.
Terminal cover, short, f or use with box clamps	00/60 00/100	1	Anschlussraumabd. kurz E ³ 00/60/100	36400-0010
E ³ terminal cover, long, 00/60/100		1	Anschlussraumabd. lang E ³ 00/60/100	36401-0010



36402-0010

Terminal cover, short, for size 00/185

Features:

- For use with box clamps

Designation	Size	PU	Product designation	Order no.
Terminal cover, short, for use with box clamps	00/185	1	Anschlussraumabd. kurz E ³ 00/185	36402-0010

Accessories

NH Fuse-Switches, vertical design, size 00



36377-0010

Pressure plates

Features:

- For Cu conductor
- Kit = 3 pieces

Designation	Size	PU	Product designation	Order no.
Pressure plates for direct cable connection, 1.5 – 25 mm ² , (re, sm or flat conductor 16 – 10 mm)	00	3	1Satz (3Stück) Druckstücke E ³ Gr.00	36377-0010



36378-0010

Pressure plates 95 mm² with contact prism

Features:

- For Cu and Al conductors
- Kit = 3 pieces

Designation	Size	PU	Product designation	Order no.
Pressure plates with contact prism for direct cable-connection, 1.5 – 95 mm ² , (re, sm or flat conductor 16 – 10 mm)	00	3	1Satz (3Stück) Kontaktprismen E ³ Gr.00	36378-0010



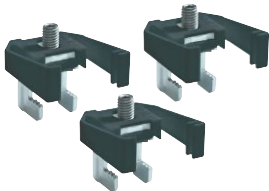
36366-0010

Pressure plates 150 mm² with contact prism for size 00, 185 mm

Features:

- For Cu and Al conductors
- Kit = 3 pieces

Designation	Size	PU	Product designation	Order no.
Pressure plates with contact prism for direct cable-connection, 70 – 150 mm ² , (re, sm, rm)	00/185	3	1SATZ (3STÜCK) KONTAKTPRISMEN E ³ 00/185	36366-0010



36367-0010

Contact hooks for size 00/185 for direct mounting

Features:

- For flat bars of 5 – 10 mm
- For direct mounting for sizes 1 – 3
- Kit = 3 pieces

Designation	Size	PU	Product designation	Order no.
Contact hooks for E ³ -NH fuse-switches, vertical design, size 00/185, elevated feed bracket	00/185	3	1 Satz Kontakthaken E ³ 00/185 Eh 150mm	36367-0010
1 kit (3 pieces) E ³ hooks, size 00/100/185	00/185	3	1Satz (3St.) E ³ Haken Gr.00/100/185	36392-0010

V-clamps

Designation	PU	Product designation	Order no.
1 kit of clamps E ³ VST 00 Vk7 95se	3	1 Satz Klemmen E ³ VST 00 Vk7 95se	36749-0010
1 kit of clamps E ³ VST 00 Vk7 95se	3	1 Satz Klemmen E ³ VST 00 Vk7 95se	36768-0010

Accessories

NH Fuse-Switches, vertical design, size 00



36395-0010

Device carrier, short, 95 mm, for size 00, 100/185 mm

Features:

- For plug-in current meters

Designation	Size	PU	Product designation	Order no.
Clip-on device carrier, 1-phase, 95 mm long	00/60- 00/185	1	Ausgleichsblende 00 95 2Löcher	36395-0010
Clip-on device carrier, 3-phase, 95 mm long	00/60- 00/185	1	AUSGLEICHSBLENDE E ³ Gr.00 95 3phasig	36388-0010
Clip-on device carrier, 95 mm long, blanking element	00/60- 00/185	1	AUSGLEICHSBLENDE E ³ Gr.00 95mm	36386-0010



36387-0010

Device carrier, short, 95 mm, for size 00/60 to 00/185

Features:

- For flush current meters

Designation	Size	PU	Product designation	Order no.
Clip-on device carrier, 95 mm long, 1 cut-out	00/60- 00/185	1	Gerätehalter E ³ Gr.00 K 48x48mm	36387-0010



36385-0010

Device carrier, long, 135 mm, for size 00/60 to 00/185

Features:

- For flush current meters

Designation	Size	PU	Product designation	Order no.
Clip-on device carrier, 135 mm long, 1 cut-out	00/60- 00/185	1	Gerätehalter E ³ Gr.00 L 48x48mm	36385-0010



36335-0010

Microswitch for position indication, size 00/60 to 00/185

Features:

- NC-contact or NO-contact microswitch
- 2 A / 250 V AC plug-in tab 2.8 x 0.5 mm

Use:

- 2 microswitches for 3-pole-switching devices

Designation	Size	PU	Product designation	Order no.
Microswitch for switch position indication, 1 NC contact or 1 NO contact, 1 kit = 6 pieces	00/60 00/185	6	Mikrosch.Schaltstellung. E ³ 00(1Set=6St)	36335-0010



36379-0010

Window locking system

Features:

- Locks sliding window
- Installs internally

Screws

- Kit = 3 pieces

Designation	Size	PU	Product designation	Order no.
Window locking system against unauthorized use	00 - 3	3	1Satz (3St) Stromdiebstahlsich. E ³ 00-3	36379-0010

Accessories

NH Fuse-Switches, vertical design, size 1 – 3



36435-0010

Terminal cover, long

Features:

- Terminal cover 36444-0010
- For optimal protection against accidental contact

Designation	Size	PU	Product designation	Order no.
E ³ terminal cover, extra long	1-3	1	E ³ Anschlussraumabdeckung extra lang	36435-0010



36381-0010

Partition wall

Features:

- Partition wall for terminal space
- For long cable lugs
- 95 mm long

Designation	Size	PU	Product designation	Order no.
Partition wall for terminal space when using long lugs, 95 mm long	1-3	1	Trennwand E ³ Gr.1-3	36381-0010



36438-0010

Terminal cover, short

Features:

- For use with V-clamps and box clamps

Designation	Size	PU	Product designation	Order no.
Terminal cover, short, for V-clamps or steel box clamps	1-3	1	Anschlussraumabdeckung E ³ Gr.1-3 kurz	36438-0010



36331-0010

Angle bracket

Features:

- For top or side mounting with size 00 – 3
- 5 mm grid, installation depth 120 – 150 mm
- Clips onto universal sideframe
- For bolting the protection cover- with thread M6 or hole for PT screws Ø 3.5 mm

Designation	Size	PU	Product designation	Order no.
Lateral angle bracket for mounting universal sideframes	00-3	4	ABSTÜTZW. SET=4ST. E ³ GR.00-3	36331-0010



36390-0010

Sideframe, universal

Features:

- Clips onto angle bracket, length 850 mm
- Fits on all sides

Designation	PU	Product designation	Order no.
Sideframe, universal, for E ³ NH fuse-switches, vertical design, length 850 mm	1	Blendstreifen E ³ 850mm	36390-0010



36727-0010

Lateral cover

Features:

- Lateral cover for busbars
- Fits E³-NH fuse-switch, vertical design

Designation	Size	PU	Product designation	Order no.
Lateral safety cover, mounted on device	00/185 3	1	Seitlicher Berührungsschutz E ³ 00/185- 3	36727-0010



36409-0010

Blanking cover

Features:

- Covers busbars

Designation	Size	PU	Product designation	Order no.
Cover mounts directly onto busbar	1-3	1	E ³ Reserveplatzabdeckung	36409-0010
Cover with spacer bolts for elevated mounting	1-3	1	E ³ Reserveplatzabdeckung m. Bolzen	36410-0010

Accessories

NH Fuse-Switches, vertical design, size 1 – 3



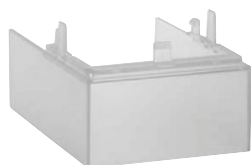
36356-0010

Identification holder

Features:

- Provides space for additional information
- Can also be used as top cover

Designation	Size	PU	Product designation	Order no.
Identification holder, clips to top or bottom	1-3	1	Bez.-schildträger kompl. kurz Gr.1 EFEN	36356-0010
Identification holder, compl., short, size 2, EFEN		1	Bez.-schildträger kompl. kurz Gr.2 EFEN	36356-0020
Identification holder, compl., short, size 3, EFEN		1	Bez.-schildträger kompl. kurz Gr.3 EFEN	36356-0030
Identification holder E ³ , short, neutral		2	Beschriftungsträger E ³ kurz neutral	36405-0010



31946-0100

Extension for terminal cover for EKDEO series

Designation	PU	Product designation	Order no.
Extension for terminal cover for EKDEO series	1	ARA-VERLÄNGERUNG LA-LEI 1/2 EVU	31946-0100



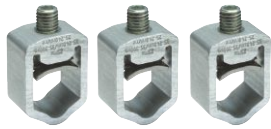
31607-0100

Connecting material

Designation	PU	Product designation	Order no.
V2N insulating cap	1	ISOLIERKAPPE V2N „lange Variante“	31516-0100
Insulating cap V2 MD	1	ISOLIERKAPPE V2 MD	31607-0100
1 SATZ V-KLEMME 35-70 SM MIT LASCHE	3	1 SATZ V-KLEMME 35-70 SM MIT LASCHE	36025-0010
V-clamp 35 – 25 mm ² sm, 70 – 240 mm ² se (1 kit = 3 pieces)	3	1 SATZ V-KLEMME 35-185 SM V2	36025-0060
1 kit (3 pieces) of claw clamps M12 for 50 – 150 mm ² se	3	ANSCHLUSSKLEMMEN 50-150 SE FÜR S6 1 SATZ	36063-0010

Accessories

NH Fuse-Switches, vertical design, size 1 – 3



36298-0010

Aluminum V-clamp

Features:

- Kit = 3 pieces

Designation	PU	Product designation	Order no.
V2MD clamp for 25 – 300 mm ² se	3	1 Satz Klemmen V2 MD 240sm/300rm	36298-0010



36354-0010

Contact hook

Features:

- Easy to retrofit
- Busbar thickness 5 – 10 mm
- Max. busbar width 100 mm
- Not suitable for coupling units
- Kit = 3 pieces

Designation	Size	PU	Product designation	Order no.
Contact hooks for E ³ -NH fuse-switches, vertical design, size 1 – 3 for direct mounting to busbars with a thickness of 5 – 10 mm	1-3	3	HAKENKLEMME E ³ 1-3 1 Satz (3 Stück)	36354-0010



36719-0010

Screw terminal M12x30

Features:

- With coiled spring element, ø 28 mm
- For busbar mounting or terminal connection
- Kit = 3 pieces

Designation	Size	PU	Product designation	Order no.
Screw terminal M12 x 30, with coiled spring element	1-3	3	Sammelsch. Anschl. M12x30 1Satz (3Stück)	36719-0010
Retrofit kit for stud		3	Nachrüstsatz B6 E ³ 1-3	36369-0010



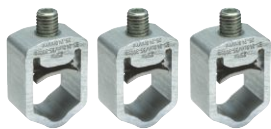
36350-0010

Steel captive clamp

Features:

- Steel captive clamp for multiple-use terminal
- Can retrofitted to screw terminal M12
- Corrosion-resistant
- Kit = 3 pieces

Designation	Size	PU	Product designation	Order no.
Steel captive clamp for retrofitting of multiple-use terminal, 35-240 rm, 35-300 re, 50-300 sm/se	1-3	3	Klemme E ³ FEST 50-240sm 1SATZ (3ST)	36350-0010



36298-0010

V-clamps

Features:

- Kit = 3 pieces

Designation	PU	Product designation	Order no.
V2MD clamp for 25 – 300 mm ² se	3	1 Satz Klemmen V2 MD 240sm/300rm	36298-0010



36851-0010

Connecting pieces and terminal kits for parallel switches

Designation	PU	Product designation	Order no.
Connecting piece 2 x cover E ³ , 1-3, 3-pole	1	Verbindungssatz 2xDeckel E ³ 1-3 3-polig	36849-0010
Connecting piece 2 x cover E ³ , 1-3, 1-pole	3	Verbindungssatz 2xDeckel E ³ 1-3 1-polig	36850-0010
Terminal kit 2 x E ³ , 1-3 parallel	1	Anschlussgarnitur 2x E ³ 1-3 parallel	36851-0010

Accessories

NH Fuse-Switches, vertical design, size 1 – 3



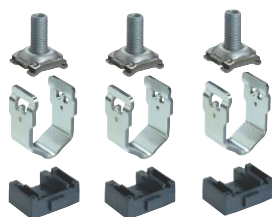
36353-0010

V-clamp

Features:

- Kit = 3 pieces

Designation	Size	PU	Product designation	Order no.
Steel V-clamp, 35-240 rm, 35-300 re, 50-240 sm, 50-300 se	1-3	3	Klemme E ³ VST 35-240rm 1Satz (3St)	36353-0010
E ³ clamp COMPL., 2 x 95 – 185sm, 1 kit (3 pcs)		3	Klemme E ³ VST 2x95-185sm 1SATZ (3ST)	36754-0010



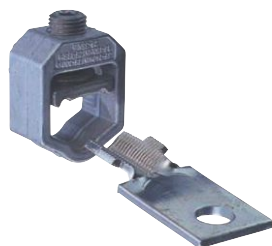
36351-0010

Steel captive V-clamp

Features:

- For retrofitting to V-clamp for size 1 – 3
- Kit = 3 pieces

Designation	Size	PU	Product designation	Order no.
Steel captive V-clamp, 35-240 rm, 35-300 re, 50-240 sm, 50-300 se	1-3	3	Klemme E ³ VEST 35-240rm 1Satz (3St)	36351-0010



36299-0010

PEN lug

Features:

- For V-clamps- Twist-proof

Designation	Size	PU	Product designation	Order no.
PEN connection with lug, twist-proof, V2 MD-clamp, 25 – 300 mm ²	1-3	3	PEN-Anschluss 1Satz (3St)	36404-0010
PEN-connection with lug, twist-proof, V2 MD clamp, 25 – 300 mm ² se		1	PEN-Anschluss m. Klemme V2MD 240sm/300rm	36299-0010
MP terminal unit V2N 300 rm/sm		1	MP-Anschlusseinheit V2N 300 rm/sm	36138-0020



36444-0010

Connecting kit for 2 x 300 mm²

Features:

- For E³-NH fuse-switches, vertical design, of sizes 1 – 3
- Per phase 2 x max. 300 mm²

Designation	Size	PU	Product designation	Order no.
E ³ connecting kit for 2 x 300 mm ²	1-3	1	E ³ Anschlussset 2x 300mm ²	36444-0010



36435-0010

Terminal cover, long

Features:

- Terminal cover 36444-0010
- For optimal protection against accidental contact

Designation	Size	PU	Product designation	Order no.
E ³ terminal cover, extra long	1-3	1	E ³ Anschlussraumabdeckung extra lang	36435-0010

Feeding clamp

Designation	Size	PU	Product designation	Order no.
Feeding clamp IP2X COMPL. 35 – 240rm		3	Einspeiseklemme IP2X VST 35-240rm	36846-0010

Accessories

NH Fuse-Switches, vertical design, size 1 – 3



36431-0010

E³-wiring kit for voltage cut-out

Features:

- Ready for connection to E³-NH fuse-switch, vertical design
- Connects to input or output
- Includes cable holder and terminal screws

Designation	PU	Product designation	Order no.
Wiring kit for voltage cut-out	1	Verdrahtungskit f. Spannungsabnahme	36431-0010



36430-0010

E³-wiring kit for current transformers

Features:

- Secondary lines 2.5 mm², black, no. 1 – 6
- Fits plug connections, isolation terminals or metering devices
- For top or bottom terminal
- Impulse-withstand voltage 3 kV
- Includes cable holder

Designation	PU	Product designation	Order no.
1-phase wiring kit for current transformers, secondary line 2.5 mm ² , black, no. 1 – 6, impulse-withstand voltage 3 kV	1	Verdrahtungskit f. 1 Stromwandler	36429-0010
3-phase wiring kit for current transformers, secondary line 2.5 mm ² , black, no. 1 – 6, impulse-withstand voltage 3 kV	1	E ³ Verdrahtungskit f. 3 Stromwandler	36430-0010



36382-0010

Clip-on E³-cable holder

Features:

- Clip-on holder for neat cable routing
- For voltage metering or secondary lines

Designation	PU	Product designation	Order no.
Clip-on cable holder, mounted on rear side	1	Kabelhalter E ³ Gr.1-3	36382-0010



36379-0010

Window locking system

Features:

- Locks sliding window
- Installs internally
- Screws
- Kit = 3 pieces

Designation	Size	PU	Product designation	Order no.
Window locking system against unauthorized use	00 - 3	3	1Satz (3St) Stromdiebstahlsich. E ³ 00-3	36379-0010



36375-0010

Microswitch for position indication

Features:

- NC-contact or NO-contact microswitch- 2 A / 250 V AC plug-in tab 2.8 x 0.5 mm

Use:

- 3 microswitches for 1-pole switching- 1 microswitch for 3-pole switching

Designation	PU	Product designation	Order no.
Microswitch for switch position indication, 1 NC contact or 1 NO contact, 1 kit = 6 pieces	6	Mikrosch.Schaltstellung. E ³ 1-3(1Set=6St)	36375-0010



36407-0010

Handle cover

Features:

- Clips onto handle
- Red color
- 1 kit = 3 pieces

Designation	Size	PU	Product designation	Order no.
Clip-on handle cover, red	1-3	3	Griffblende E ³ Gr.1-3 rot 3St	36407-0010

Accessories

NH Fuse-Switches, vertical design, size 1 – 3



36420-0010

Device carrier, low, with isolation terminal holder

Features:

- Fits **E³**-NH fuse-switches, vertical design
- With isolation terminal holder
 - e. g. in combination with multifunctional measurement device
- Includes mounting and earth screws

Designation	PU	Product designation	Order no.
Device carrier, low, with isolation terminal holder	1	Halteplatte mittel	36420-0010



36421-0010

Device carrier with DIN adapter and isolation terminal holders

Features:

- Fits **E³**-NH fuse-switches, vertical design
- One DIN adapter on front face
- With isolation terminal holder
- Includes mounting and earth screws

Designation	PU	Product designation	Order no.
Device carrier with DIN adapter and isolation terminal holders, 352 mm long	1	Geräteträger lang 1 DIN-Schienehalter	36421-0010



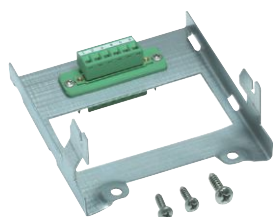
36374-0010

Device carrier with two DIN adapters and isolation terminal holders

Features:

- Fits **E³**-NH fuse-switches, vertical design
- Two DIN adapters on front face and low isolation terminal holders
- Includes mounting and earth screws

Designation	PU	Product designation	Order no.
Device carrier with 2 DIN adapters and isolation terminal holders	1	Gerätetr.2DIN-Schieneh. Messw. Trennkl	36374-0010



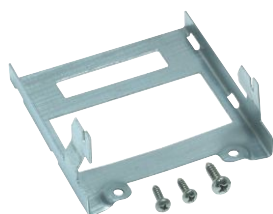
36370-0010

Device carrier, low, with 6-pole plug-connection

Features:

- Fits **E³**-NH fuse-switches, vertical design
- Terminal cross-section 2.5 mm²
- 250 V / 12 A
- e. g. microswitch or current transformer wiring
- Includes mounting and earth screws

Designation	PU	Product designation	Order no.
Device carrier, low, with 6-pole plug-connection, clamp cross-section 2.5 mm ² , 250 V / 12 A	1	Geräteträger kurz mit Stecker 6p.	36370-0010



36419-0010

Device carrier, low, with DIN adapter

Features:

- Fits **E³**-NH fuse-switches, vertical design
- For the installation of devices and terminals
- Includes mounting and earth screws

Designation	PU	Product designation	Order no.
Device carrier, low, with DIN adapter	1	Halteplatte kurz	36419-0010

Accessories

NH Fuse-Switches, vertical design, size 1 – 3

Power distribution components



36371-0010

Device carrier with DIN adapter

Features:

- Fits **E³**-NH fuse-switches, vertical design
- One DIN-adapter on front face
- Includes mounting and earth screws

Designation	PU	Product designation	Order no.
Device carrier with DIN adapter	1	Gerätetr. 1 DIN-Schienehalter	36371-0010



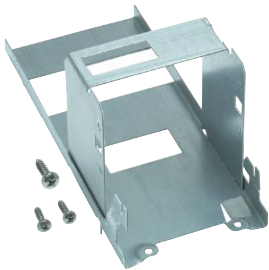
36372-0010

Device carrier with DIN adapter and 6-pole plug-connection

Features:

- Fits **E³**-NH fuse-switches, vertical design
- One DIN-adapter on front face
- 6-pole plug connection
- Terminal cross-section 2.5 mm²
- 250 V / 12 A
- Includes mounting and earth screws

Designation	PU	Product designation	Order no.
Device carrier with DIN adapter and 6-pole plug-connection, clamp cross-section 2.5 mm ² , 250 V / 12 A	1	Gerätetr. 1 DIN-Schieneh. Steckverb.6p	36372-0010



36373-0010

Device carrier with DIN adapter and isolation terminal holders

Features:

- Fits **E³**-NH fuse-switches, vertical design
- One DIN-adapter on front face
- With isolation terminal holder
- Includes mounting and earth screws

Designation	PU	Product designation	Order no.
Device carrier with DIN adapter and isolation terminal holders, 225 mm long	1	Gerätetr. 1 DIN-Schieneh. Messw. Trennkl	36373-0010

Accessories

NH Fuse-Switches, vertical design, size 1 – 3



36422-0010

Device carrier, long, 120 mm

Features:

- For flush installation of device
- Frames can be joined

Designation	Size	PU	Product designation	Order no.
Device carrier E ³ , size 1 – 3, long, 72 x 72 mm	1-3	1	Gerätehalter E ³ Gr.1-3 lang 72x72mm	36383-0010
Device carrier E ³ , size 1 – 3, long, 96 x 96 mm	1-3	1	Gerätehalter E ³ Gr.1-3 lang 96x96mm	36422-0010
Device carrier E ³ , size 1 – 3, long, blank	1-3	1	Gerätehalter E ³ Gr.1-3 lang blind	36423-0010



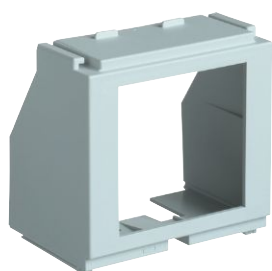
36437-0010

Device carrier

Features:

- Covers oversized cut-outs
- Length adjustment up to 100 mm
- Installation depth to front of 150 mm

Designation	PU	Product designation	Order no.
Device carrier, 120 mm long, blanking element for adjustment	1	E ³ Geräteh. Gr.1-3 lang blind Ausgl.	36437-0010



36424-0010

Device carrier, short, 97 mm

Features:

- For flush installation of device

Designation	PU	Product designation	Order no.
Device carrier, 97 mm long, cut-out 72 x 96, for flush installation	1	Gerätehalter E ³ Gr.1-3 kurz 72x72mm	36424-0010
Device carrier, 97 mm long, blanking element	1	Gerätehalter E ³ Gr.1-3 kurz blind	36425-0010



36427-0010

Device carrier, short, 97 mm

Features:

- For plug-in metering devices

Designation	PU	Product designation	Order no.
Device carrier, 97 mm, for clip-on metering devices, 1-phase	1	Gerätehalter kurz 1phasig	36426-0010
Device carrier, 97 mm, for clip-on metering devices, 3-phase	1	Gerätehalter E ³ Gr.1-3 kurz 3phasig	36427-0010



36428-0010

Device cover

Features:

- Snaps onto E³-NH fuse-switch, vertical design
- Device carrier and cover can be joined
- Can be trimmed to fit devices of 45 – 90 mm width

Designation	PU	Product designation	Order no.
Device cover, can be trimmed to fit devices of 45 – 90 mm width	1	Geräteabdeckung E ³ Gr.1-3 NEOZED	36428-0010

Accessories NH Fuse-Switches, vertical design, size 1 – 3



Sealing kit

Features:

- Fits device cover 36428-0010 and surge/overcurrent protectors
- For D01 fuse bases or other devices

36434-0010

Designation	PU	Product designation	Order no.
Sealing kit for device cover 36428-0010	1	Plombierung mit Bügel	36434-0010

Power distribution
components

Accessories NH fuse-rails, size 00 - 2

Accessories for NH fuse-rails size 00 – 2

Designation	PU	Product designation	Order no.
Contact hooks (for mounting w/o drilling) 1 kit = 3 pieces	3	1 SATZ KONTAKTHAKEN EDURO	36931-0010
Contact hooks (for mounting w/o drilling) 1 kit = 3 pieces	3	1 SATZ KONTAKTHAKEN LA-LEI 1/2 U. 1-3N	36932-0010
Cover for NH fuse-switch, vertical design	1	ABDECKUNG LEI 1-2 EDURO	36322-0010
Carrier for identification label for NH fuse-switch, vertical design	1	INFOTRÄGER LEI 1-2	36301-0010
Cover E ³ NH-LEI 00/185	1	Abdeckung E ³ NH-LEI 00/185	36748-0010
Cover for PV fuse-switch	1	Sicherungsabdeckung PV-Leiste	36837-0010

Ε³ NH Fuse-Switches, vertical design

Technical data

Product range overview

Type	Size 00	Size 1	Size 2	Size 3
Busbar system, 60 mm	•			
Busbar system, 100 mm	•			
Busbar system, 185 mm	•	•	•	•
Hook-contacting on busbar	•	•	•	•
Multiple-use terminal (screw terminal)	•	•	•	•
Pressure plates for Cu conductor	•			
Contact prism for Cu/Al conductor	•			
Stud		•	•	•
Clinch nut		•	•	•
Box clamp (95 mm ²)	•			
Box clamp (V-clamp)		•	•	•
Switch position indication	•	•	•	•
Electronic fuse-monitoring	•	•	•	•

Technical data for NH Fuse-Switches, vertical design, according to VDE 0660 T107 / IEC/EN 60947-1/-3

	Unit	00/60	00/100	00/185	1	2	3	
Suitable for NH fuse-links acc. to DIN 43620/1	Size	000/00	000/00	000/00	1	2	3	
Rated operating current I_e	400 V	A	160	160	160	250	400	630
	500 V	A	160	160	160	250	400	630
	690 V	A	160	160	160	200	315	500
Conventional free-air thermic current I_{th} tested with solid-links					320	480	680	
Conventional free-air thermic current I_{th}	A	220	220	220				
Rated operating voltage U_e	V	690	690	690	690	690	690	
Rated isolation voltage U_i	V	1.000	1.000	1.000	1.000	1.000	1.000	
Rated impulse withstand-current U_{imp}	kV	8	8	8	12	12	12	
Conditional rated short-circuit current (when protected by NH fuse-links)	400 V	kA	100	100	120	120	120	120
	500 V	kA	100	100	120	120	120	120
	690 V	kA	100	100	100	100	100	100
Utilization category VDE 0660 T107 / EN/IEC 60947-3	400 V		AC-23B	AC-23B	AC-23B	AC-23B	AC-23B	AC-23B
	500 V		AC-22B	AC-22B	AC-22B	AC-22B	AC-22B	AC-22B
	690 V		AC-22B	AC-22B	AC-22B	AC-21B	AC-21B	AC-21B
Mechanical service life	Cycles	1.400	1.400	1.400	1.400	800	800	
Electrical service life	Optik	200	200	200	200	200	200	
Permissible ambient temperature	C°	-25 to +55	-25 to +55	-25 to +55	-25 to +55	-25 to +55	-25 to +55	
Degree of prot. acc. to DIN/EN 60529 / VDE 0470 T1	IP	30	30	30	20	20	20	
Maximum power dissipation of the NH fuse-link	W	12	12	12	23	34	48	
Total power dissipation (device without fuse-link)	W	20	20	22	27	56	111	
Pollution degree		3	3	3	3	3	3	
Overvoltage category		IV	IV	IV	IV	IV	IV	
Rated frequency	Hz	50-60	50-60	50-60	50-60	50-60	50-60	
Weight without NH fuse-links	kg	1,20	1,30	2,00	4,70	5,00	5,60	

Conductors

Type of connection	Conductor type	00/60 and 00/100	00/185	Size 1	Size 2	Size 3
Multiple-use terminal (screw terminal)		M8	M8	M12	M12	M12
Pressure plates for Cu conductor	Cu	re/rm/sm	1,5 - 25	1,5 - 25		
Contact prism for Cu/Al conductor	Cu/Al	re/rm/se/sm	1,5 - 95	1,5 - 50		
Box clamp (95 mm ²)	Cu	re/rm/se/sm	95	95		
Box clamp (V-clamp)	Cu	re/rm/se/sm		6 - 150	25 - 240	25 - 240
Box clamp (V-clamp)	Al	re/rm/se/sm		6 - 150	25 - 240	25 - 240

NH Fuse-Switches, vertical design Technical data for NH Fuse-Switch, 1000 and 2000 A


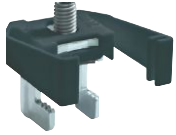

Technical data acc. to IEC/EN 60947-1/-3

Size	Designation	Unit	1000 A	2000 A
Rated operating voltage	U_e	Vac	690	690
Rated operating current	I_e	A	1000	2000
Rated insulation voltage	U_i	Vac	1000	1000
Rated impulse withstand-current	U_{imp}	kV	12	12
Rated frequency	I_{cw}	Hz	50-60	50-60
Rated short-time withstand-current 1 sec with solid-link		kA	15 25*	25 40*
Utilization category AC	400 V 500 V 690 V		AC-22B AC-21B AC-21B	AC-22B AC-22B AC-21B
Mechanical service life number of cycles		n	800	800
Electrical service life number of cycles		n	200	200
Total power dissipation device without NH fuse-link		W	270	640 with solid-link
IP protection acc. to IEC 60529 with protection cover front cover closed front cover open	IP IP		20C 10	20C 10
Ambient temperature	T_u	°C	-25 to +55 °C	-25 to +55 °C
Pollution degree			3	3
Overvoltage category			IV	IV
Material	<p>The materials used do not contain any asbestos or ceramic fibers. They contain neither chlorofluorocarbons, polychlorinated biphenyls (PCB) or their isomers nor radioactive materials or quicksilver. All plastic parts are free of halogens, flame-resistant and do not emit hydrochloric acid when exposed to fire.</p>			






* with add. locking system

EH NH Fuse-Switches, vertical design





Technical data, size 00

Feed switch terminal	Item number	Terminal area busbar thickness	Bolt	Drive	Tightening torque
	36392-0010	Busbar thickness 5 – 10 mm	M8	INB4	6 Nm
	36367-0010	Busbar thickness 5 – 10 mm	M8	INB4	7 Nm
	36376-0010	Busbar thickness 5 – 10 mm	M8x20	SW13	14 Nm

 Power distribution
components


Output connection	Description	Terminal area busbar thickness	Bolt	Drive	Tightening torque
	36376-0010	Cable lug max. 95 mm ²	M8x14	SW13	14 Nm
	36377-0010	1.5 – 95 mm ² , re, rm, flat, 16 x 10 mm	M5	PZ2	4 Nm
	36378-0010	1.5 – 95 mm ² , re, rm, se, sm	M5	PZ2	4 Nm
	36366-0010	70 – 150 mm ² , re, rm, se, sm	M5	INB3	4 Nm
	36749-0010	70 – 150 mm ² , re, rm, se, sm	M5	INB3	4 Nm






Conductor types

-  rm = round, stranded
-  re = round and solid or round and stranded and condensed
-  sm = sector, stranded 60°, 90°, 100° or 120°
-  se = sector, solid 90° or 120°





EH NH Fuse-Switches, vertical design

Technical data for connecting hardware, size 1 – 3

Feed connection	Item number	Terminal area	Bolt	Drive	Tightening torque
	36354-0010	Busbar thickness 5 – 10 mm Busbar width max. 100 mm	M10	INB5	20 Nm

Output connection					
	36719-0010 36344-0010 36369-0010		M12 M12x30 M12x30	SW19 SW19 INB10	32 Nm 32 Nm 32 Nm
	36350-0010 Suitable for aluminum	35-240 rm 35-300 re 50-300 sm/se	M12	INB6	25 Nm
	36298-0010	25-240 rm/re 35-240 sm 35-300 se	M12	INB6	30 Nm
	36353-0010	35-240 rm 35-300 re 50-240 sm 50-300 se	M12	INB6	25 Nm
	36351-0010	35-240 rm 35-300 re 50-240 sm 50-300 se	M12	INB6	25 Nm

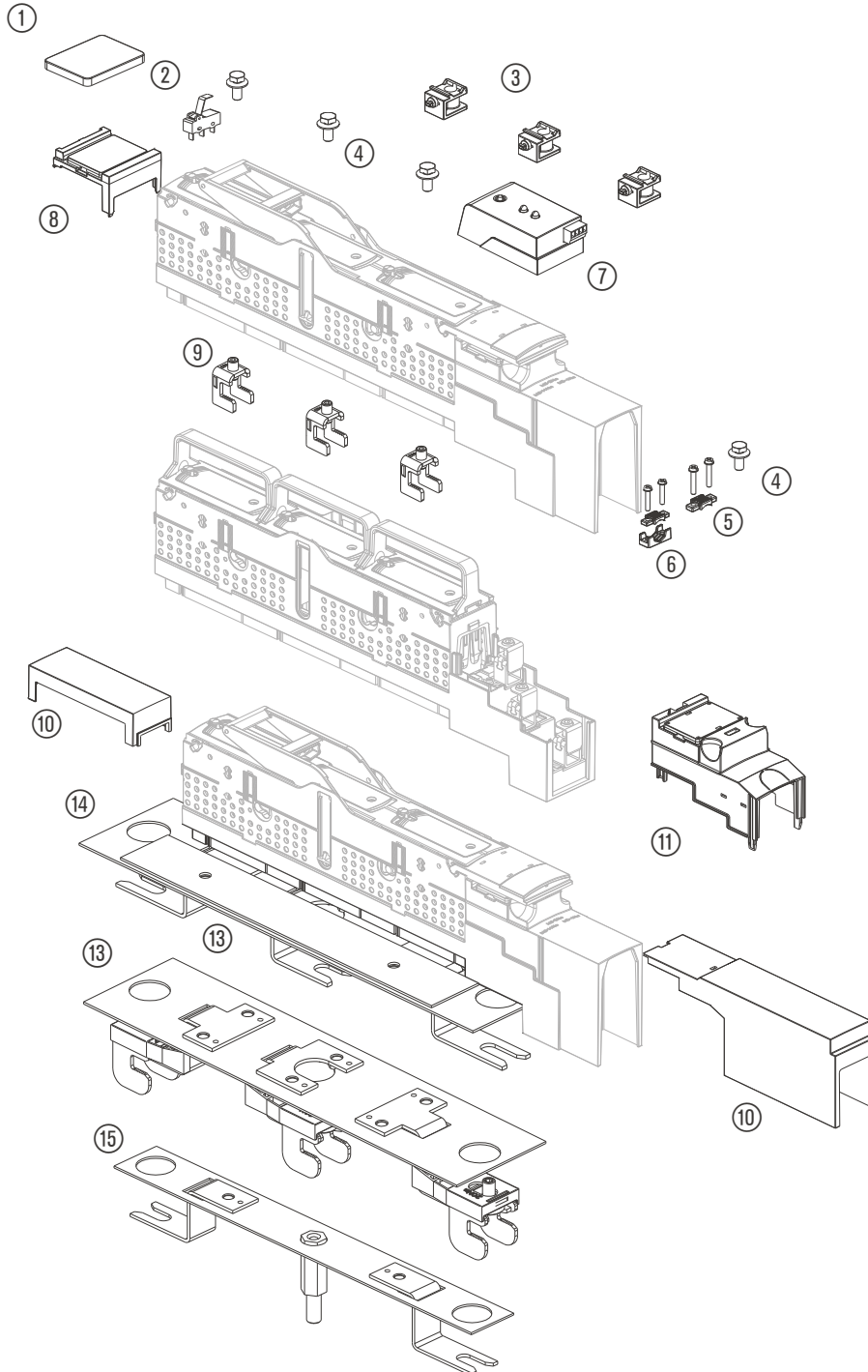
Conductor types

-  rm = round, stranded
-  re = round and solid or round and stranded and condensed
-  sm = sector, stranded 60°, 90°, 100° or 120°
-  se = sector, solid 90° or 120°

E³ NH Fuse-Switches, vertical design

E³ NH Fuse-Switches, horizontal design, 00/60 and 00/100 Accessories

Power distribution components

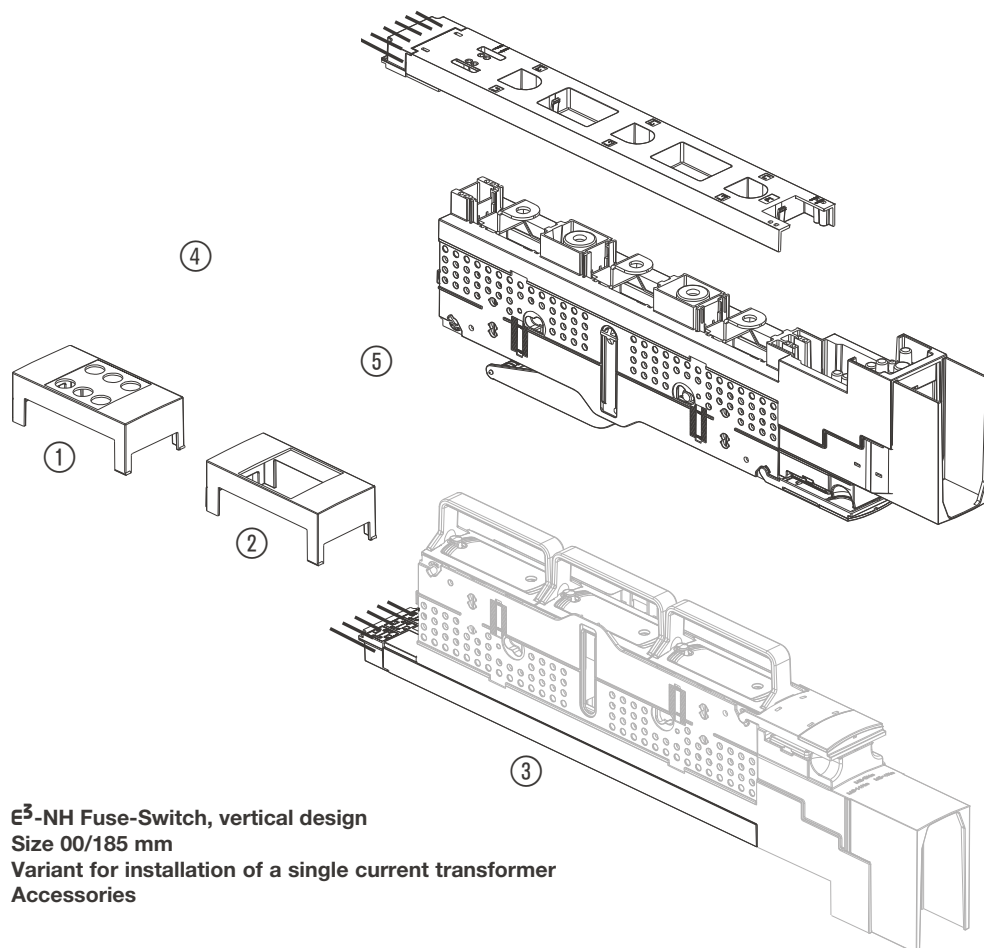


- ① 36380-0010 Identification label E³, size 00/60 to 00/185
- ② 36335-0010 6 microswitches for switch position indication E³, size 00/60 to 00/185
- ③ 36331-0010 Angle bracket Kit = 4 pieces E³, size 00 – 3
- ④ 36376-0010 3 bolts M8x25, hexagon socket
- ⑤ 36377-0010 3 pressure plates E³, size 00 (for direct cable-connection)
- ⑥ 36378-0010 3 pressure plates with contact prisms E³, size 00 (für direct connection)
- ⑦ Electronic fuse-monitoring

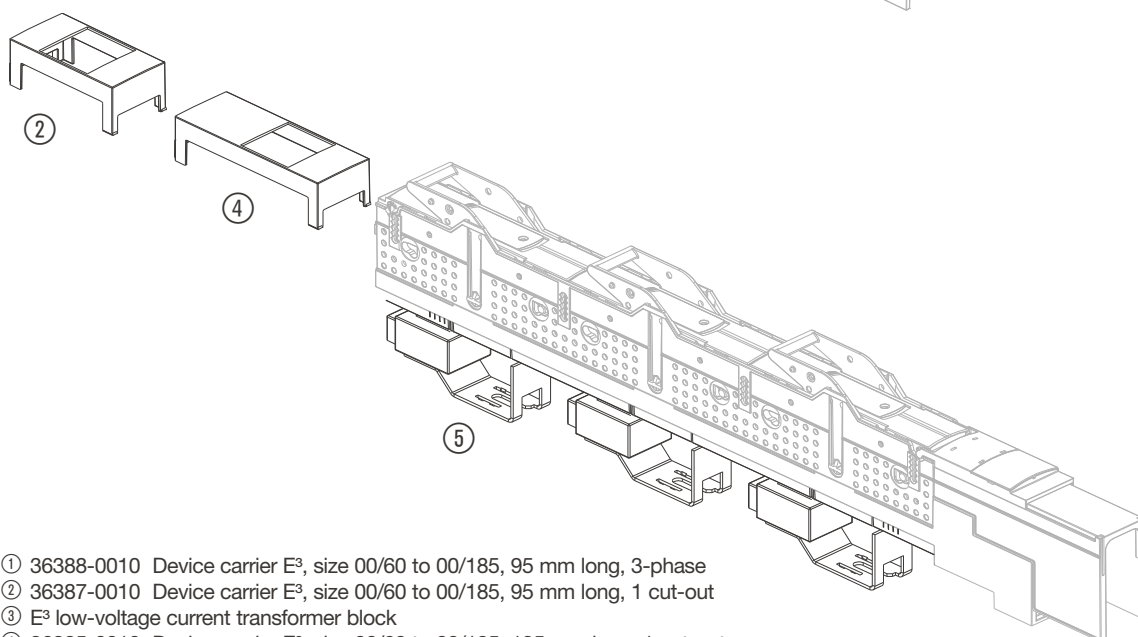
- ⑧ 36389-0010 Identification holder, size 00/60 to 00/185, top included in the device (contact hooks)
 - ⑨ included in the device (contact hooks)
 - ⑩ 36330-0010 Frame for length adjustment, kit, E³, size 00/60 to 00/185
 - ⑪ included in the device (contact hooks)
 - ⑫ 36445-0010 E³ blanking cover, size 00/100 to 00/185
 - ⑬ 36440-0010 Twin adapter E³, size 00/100 hook-mounting
 - ⑭ 36337-0010 Twin adapter E³, size 00/100
 - ⑮ 36339-0010 Single adapter E³, size 00/100
- Note: For fuse-monitoring, refer to section on metering and communicating.

E³ NH Fuse-Switches, vertical design

E³-NH Fuse-Switch, vertical design, size 00/100 mm
 Variant for installation of current transformer block
 Accessories



E³-NH Fuse-Switch, vertical design
 Size 00/185 mm
 Variant for installation of a single current transformer
 Accessories



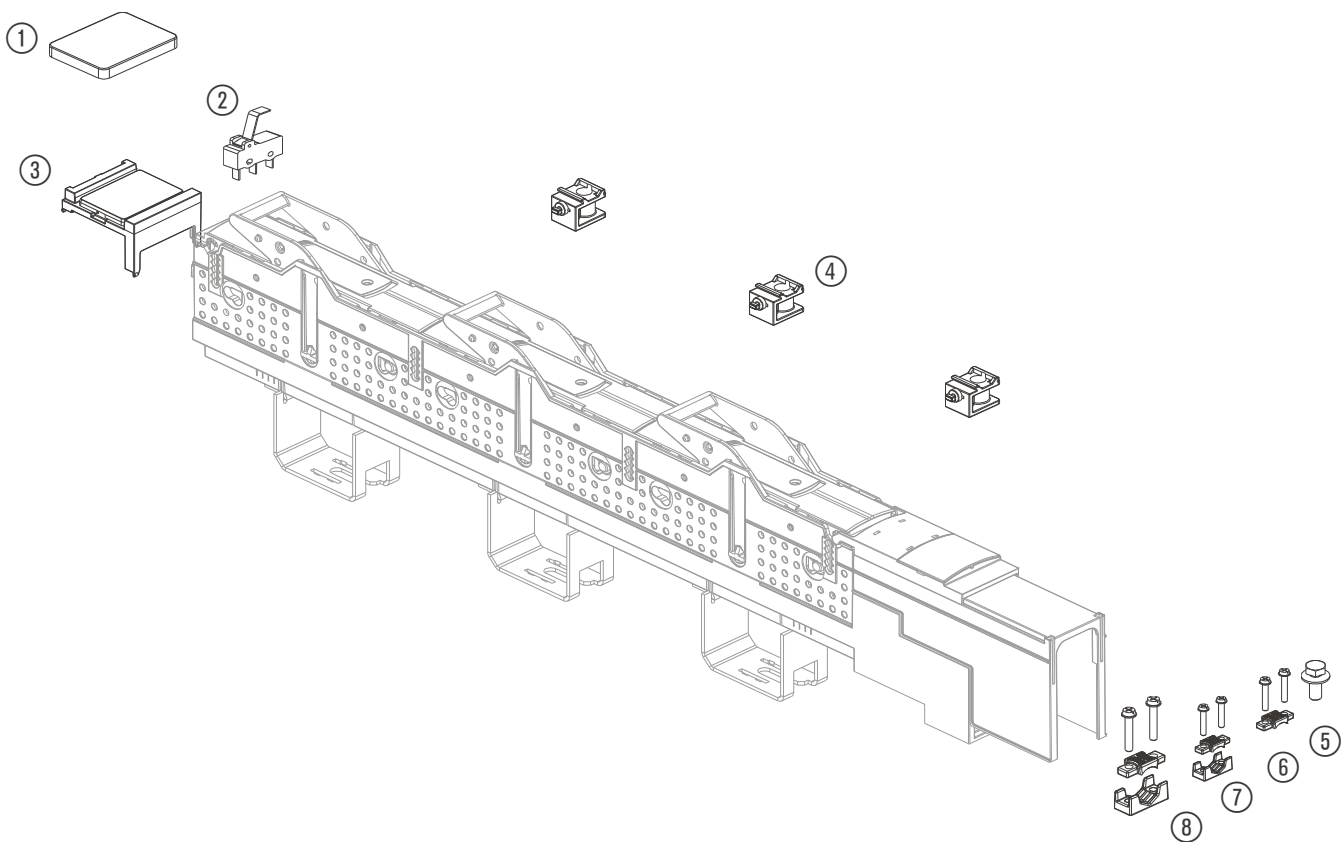
- ① 36388-0010 Device carrier E³, size 00/60 to 00/185, 95 mm long, 3-phase
- ② 36387-0010 Device carrier E³, size 00/60 to 00/185, 95 mm long, 1 cut-out
- ③ E³ low-voltage current transformer block
- ④ 36385-0010 Device carrier E³, size 00/60 to 00/185, 135 mm long, 1 cut-out
- ⑤ Variant for installation of PSR 203 current transformer

Note: For current transformers refer to section on metering and communicating

E³ NH Fuse-Switches, vertical design

E³-NH Fuse-Switch, vertical design,
size 00/185
Direct mounting for size 1 – 3
Accessories

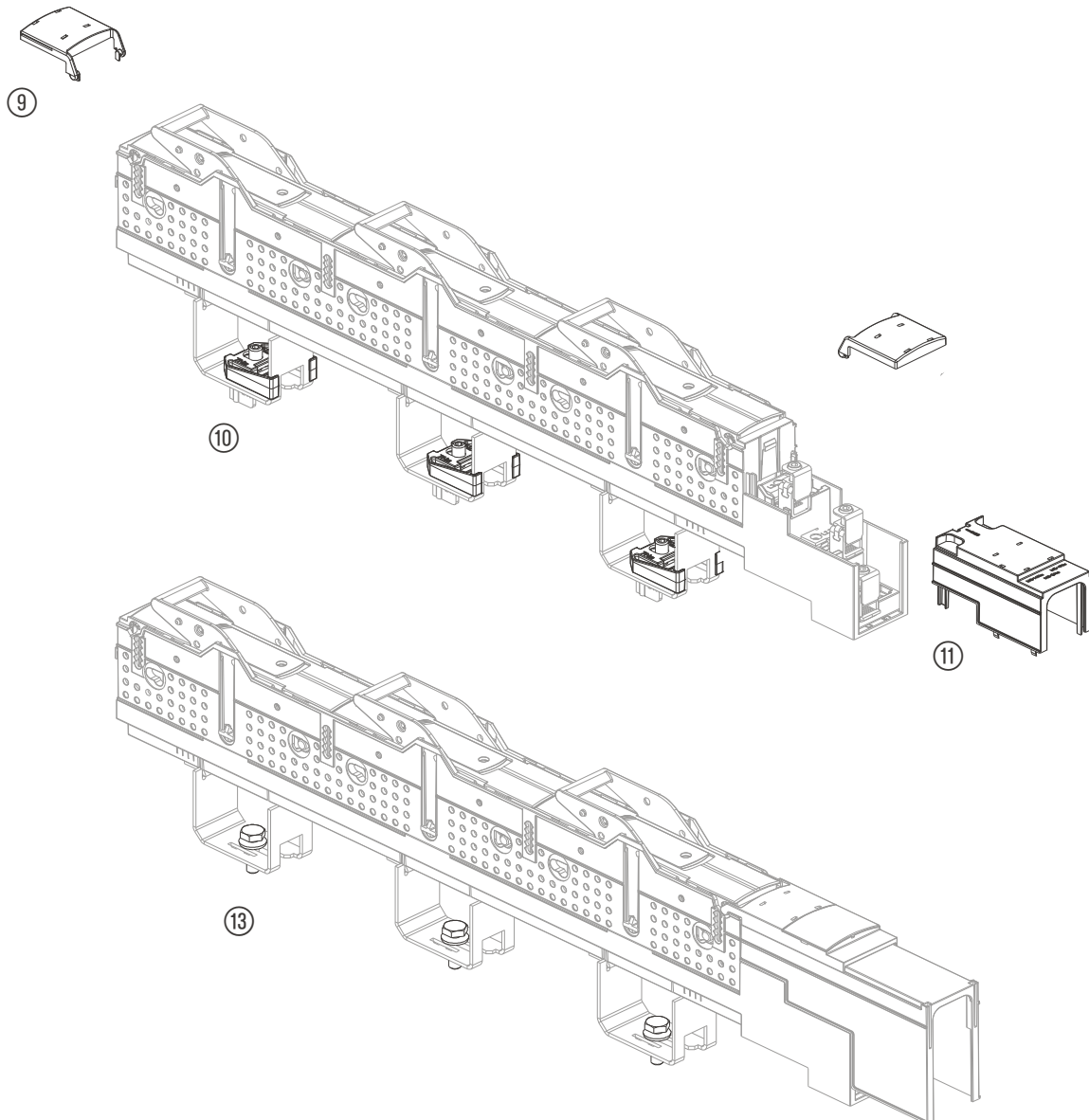
Power distribution
 components



- ① 36380-0010 Identification label E³, size 00/60 to 00/185
- ② 36335-0010 6 microswitches for switch position indication E³
size 00/60 to 00/185
- ③ 36389-0010 Identification holder, size 00/60 to 00/185, top
- ④ 36331-0010 Angle bracket (kit = 4 pieces) E³, size 00 – 3
- ⑤ 36376-0010 3 bolts M8x25, hexagon socket
- ⑥ 36377-0010 3 pressure plates E³, size 00
- ⑦ 36378-0010 3 pressure plates with contact prism E³, size 00
- ⑧ 36366-0010 3 pressure plates with contact prism E³, 00/185

E³ NH Fuse-Switches, vertical design

E³-NH Fuse-Switch, vertical design, size 00/185
Direct mounting for size 1 – 3
Accessories

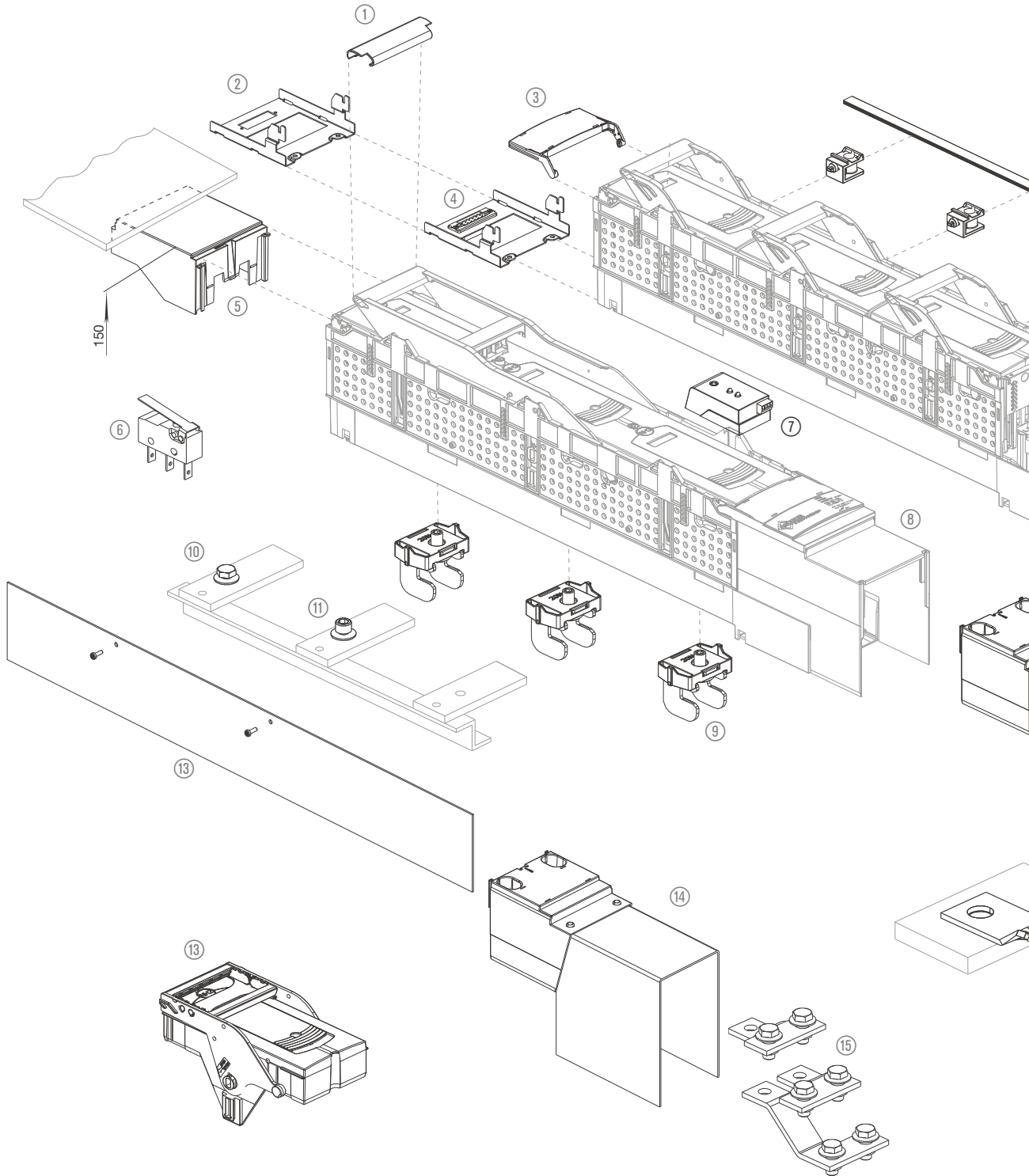


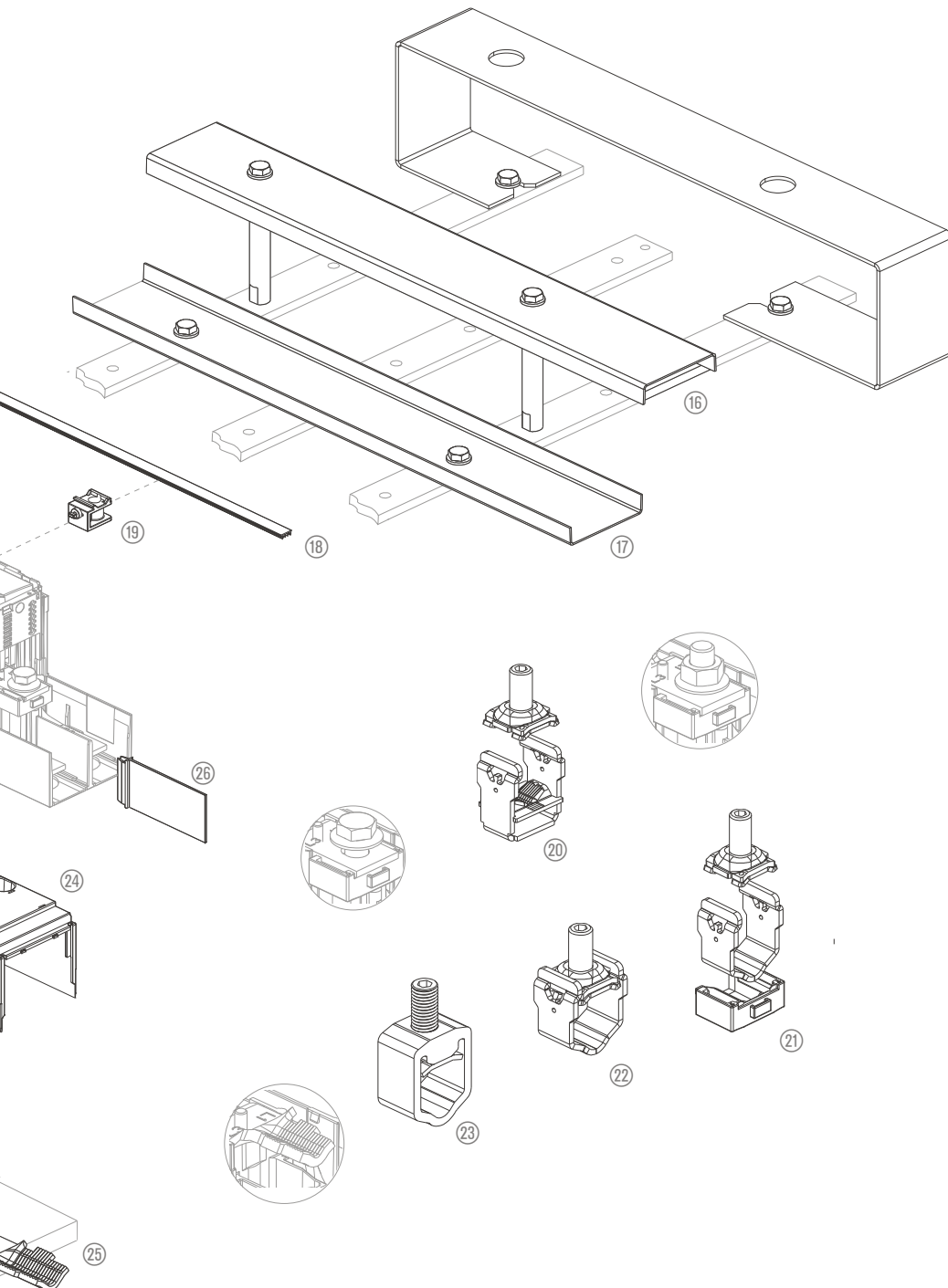
- ⑨ 36391-0010 Clip-on identification holder, short, E³, size 00/185
- ⑩ 36367-0010 3 contact hooks E³ 00/185 Eh 50 mm
- ⑪ included in the device (terminal cover)
- ⑫ 36376-0010 3 bolts M8x25, hexagon socket

EFEN NH Fuse-Switches, vertical design

EFEN-NH Fuse-Switch, vertical design,
size 1 – 3
Accessories

Power distribution
components





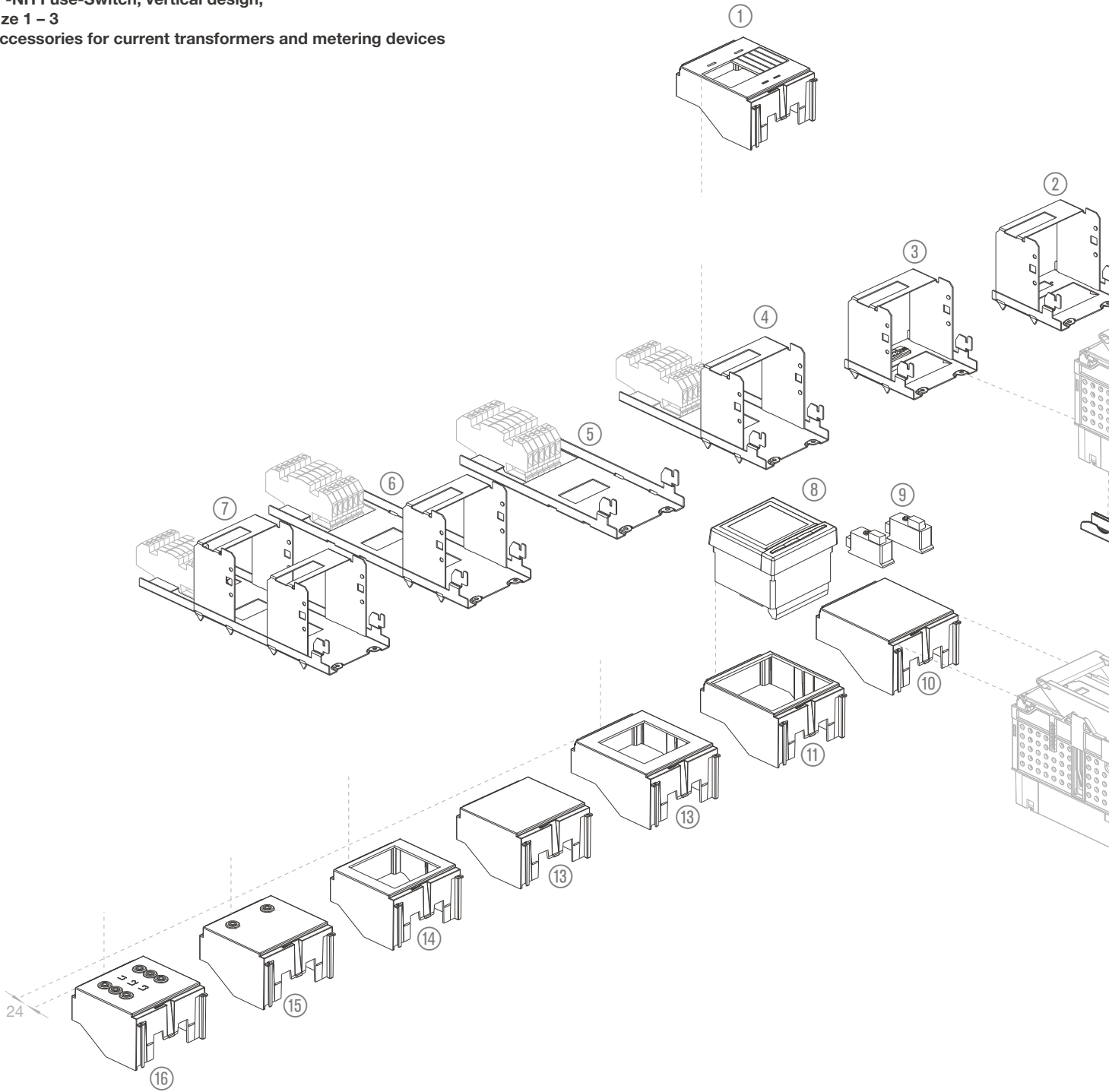
- | | |
|--|---|
| ① 36407-0010 Handle cover E ³ , size 1-3, red, 3 pieces | ⑫ 36727-0010 Lateral safety cover E ³ , size 00/185 – 3 |
| ② 36419-0010 Device carrier, low, with DIN adapter | ⑫ Devices with flush handle |
| ③ 36356-0010 Designation Identification holder complete, short, size 1, EFEN | ⑭ 36435-0010 E ³ terminal cover, extra-long, size 1 – 3 |
| ④ 36370-0010 Device carrier, low, with 6-pole plug-connection | ⑮ 36444-0010 E ³ connecting kit for 2 x 300 mm ² , size 1 – 3 |
| ⑤ 36437-0010 Device carrier E ³ , size 1 – 3, long, blanking element for adjustment | ⑯ 36410-0010 E ³ blanking cover with stud size 1 – 3 |
| ⑥ 36375-0010 6 microswitches for switch position indication E ³ , size, 1 – 3 | ⑰ 36409-0010 E ³ blanking cover, size 1 – 3 |
| ⑦ Electronic fuse-monitoring | ⑱ 36390-0010 E ³ universal sideframe 850 mm |
| ⑧ Included in the device (terminal cover) | ⑲ 36331-0010 E ³ angle bracket 4 pieces, size 00 – 3 |
| ⑨ 36354-0010 Contact hooks E ³ , size 1 – 3, 3 pieces | ⑳ 36350-0010 E ³ clamp, fixed, 50 – 300 sm, 3 pieces, size 1-3 |
| ⑩ 36719-0010 Busbar terminal M12x30, 3 pieces | ㉑ 36351-0010 E ³ clamp, VEST, 35 – 240 rm, 3 pieces, size 1 – 3 |
| ⑪ Upon request | ㉒ 36353-0010 E ³ clamp, complete, 35 – 240 rm, 3 pieces, size 1 – 3 |
| | ㉓ 36298-0010 V2 MD clamp 240 sm / rm 3 pieces, size 1 – 3 |
| | ㉔ 36438-0010 Terminal cover, short, E ³ , size 1 – 3 |
| | ㉕ 36404-0010 PEN connection, size 1 – 3 |

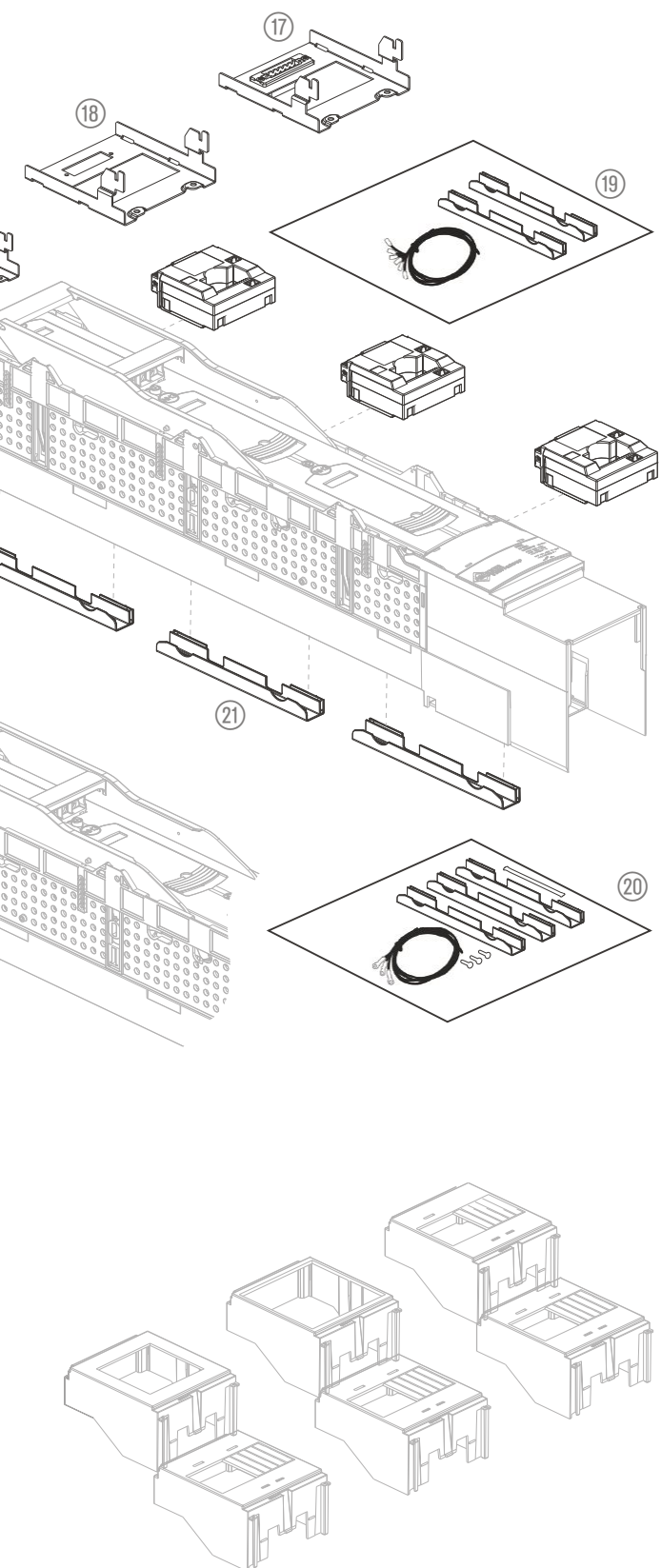
E³ NH Fuse-Switches, vertical design

**E³-NH Fuse-Switch, vertical design,
size 1 – 3**

Accessories for current transformers and metering devices

Power distribution
components



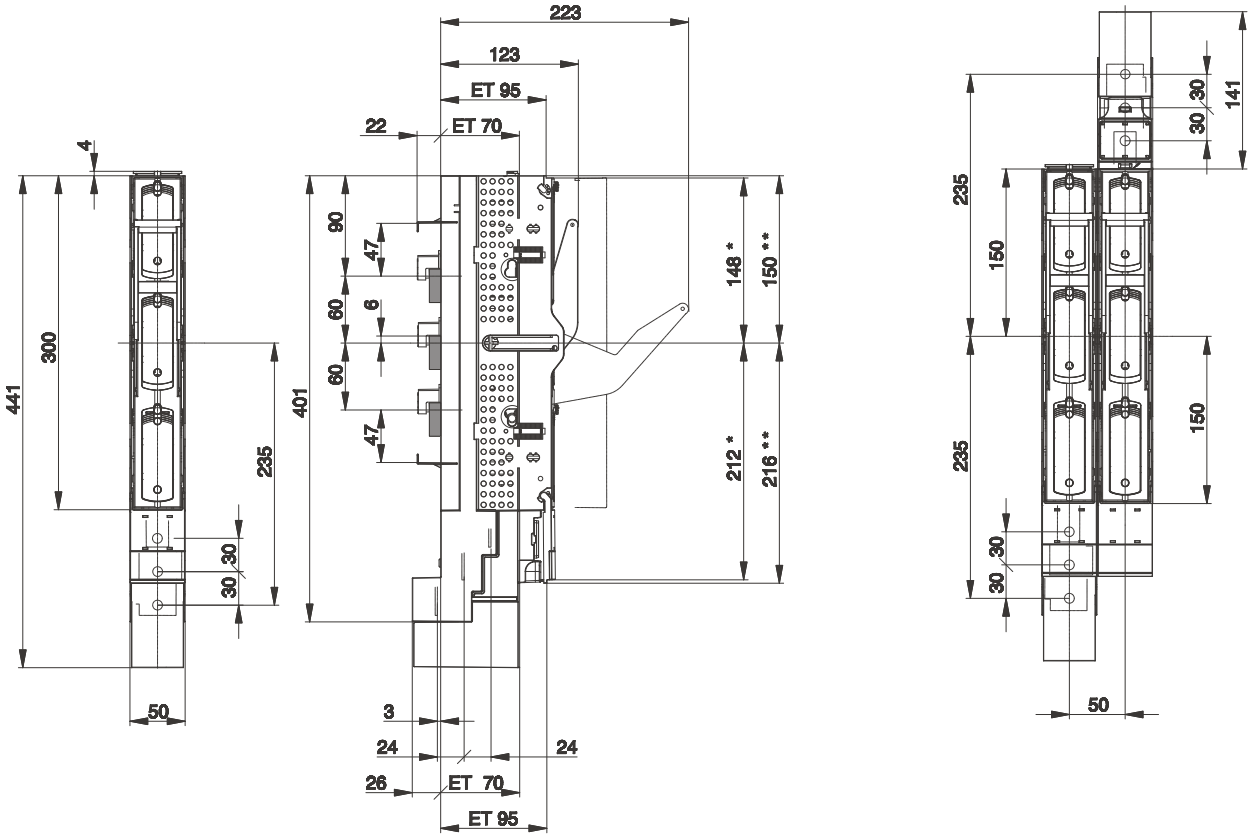


- ① 36428-0010 Device cover E³, size 1 – 3
- ② 36371-0010 Device carrier with DIN adapter
- ③ 36372-0010 Device carrier with DIN adapter, 6-pole plug-connection
- ④ 36373-0010 Device carrier with DIN adapter with isolation terminal holder
- ⑤ 36420-0010 Device carrier, low, with isolation terminal holder
- ⑥ 36421-0010 Device carrier, long, with DIN adapter
- ⑦ 36374-0010 Device carrier with 2 DIN adapters with isolation terminal holder
- ⑧ EM multifunctional metering devices
- ⑨ EM clip-on modules
- ⑩ 36437-0010 Device carrier E³, long, blanking element for adjustment, size 1 – 3
- ⑪ 36422-0010 Device carrier E³, long, 96 x 96 mm, size 1 – 3
- ⑫ 36383-0010 Device carrier E³, long, 72 x 72 mm, size 1 – 3
- ⑬ 36425-0010 Device carrier E³, short, blanking element, size 1 – 3
- ⑭ 36424-0010 Device carrier E³, short, 72 x 96 mm, size 1 – 3
- ⑮ 36426-0010 Device carrier E³, short, 1-phase, size 1 – 3
- ⑯ 36427-0010 Device carrier E³, short, 3-phase, size 1 – 3
- ⑰ 36370-0010 Device carrier E³, low, with 6-pole plug
- ⑱ 36419-0010 Device carrier E³, low, with DIN adapter
- ⑲ 36429-0010 Wiring kit, 1-phase, for current transformers
- ⑳ 36431-0010 Wiring kit for voltage metering
- ㉑ 36382-0010 E³ clip-on cable holders, size 1 – 3

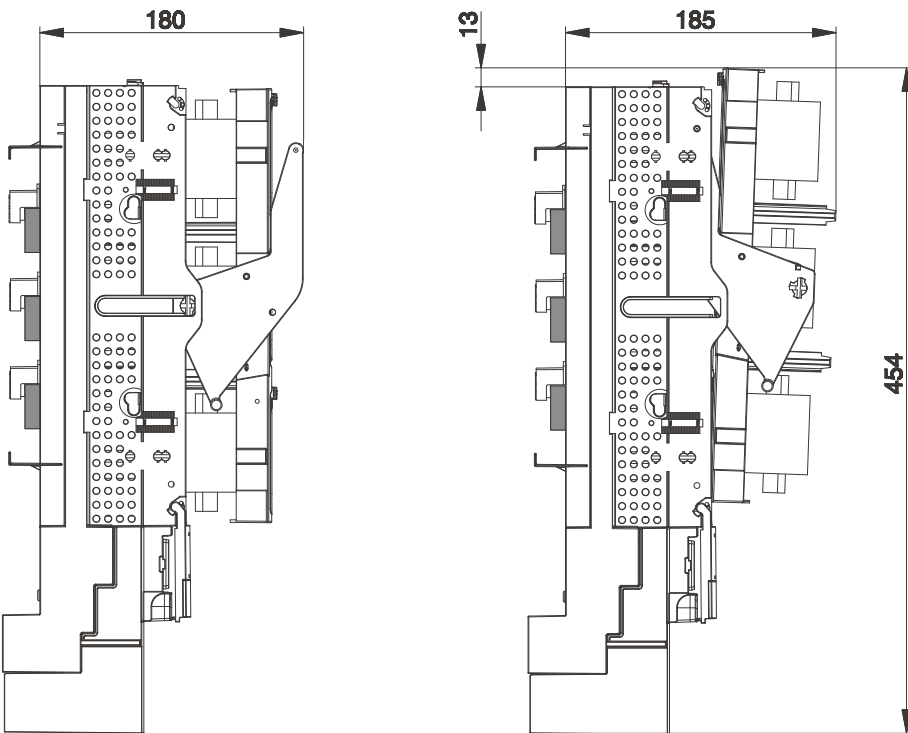
E³ NH Fuse-Switches, vertical design
Size 00/60

3-pole switching with long terminal cover (ARA)

Power distribution components



Park position

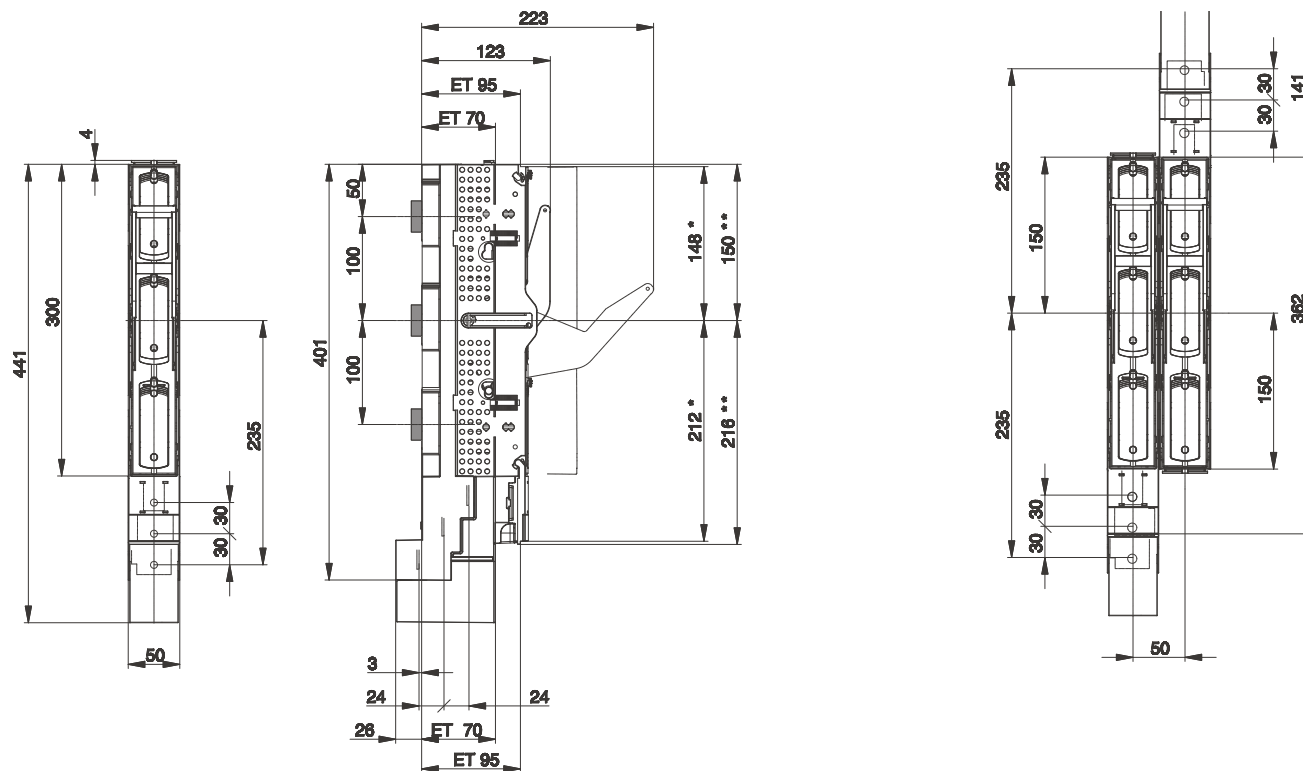


Cut-out dimensions ET 95 = * dimensions + 1 mm
 Cut-out dimensions ET 70 = ** dimensions + 1 mm
 ET = installation depth of the cover

EH NH Fuse-Switches, vertical design

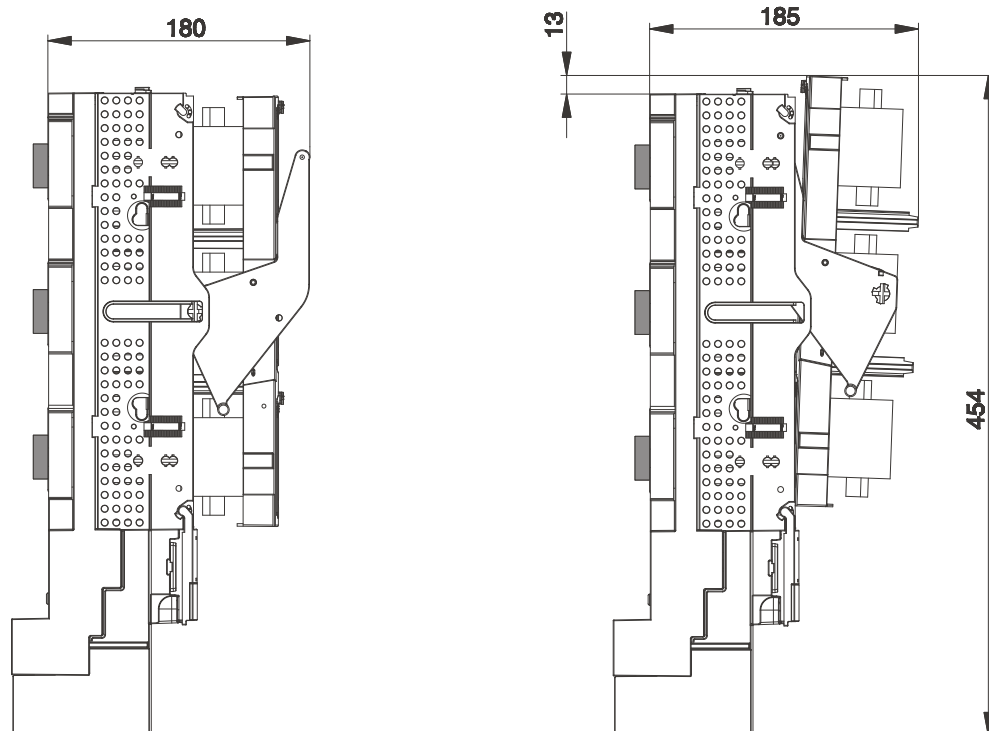
Size 00/100

3-pole switching with long terminal cover (ARA)



Power distribution components

Park position

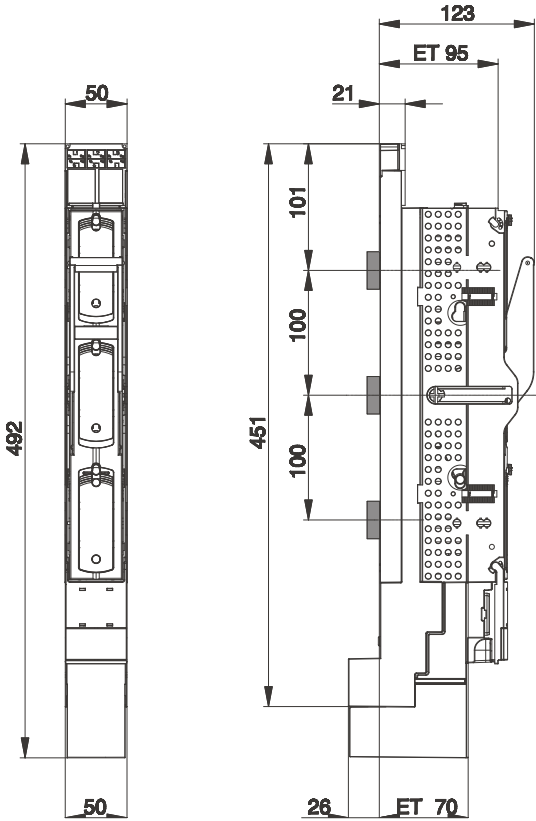


EFEN³ NH Fuse-Switches, vertical design Size 00/100

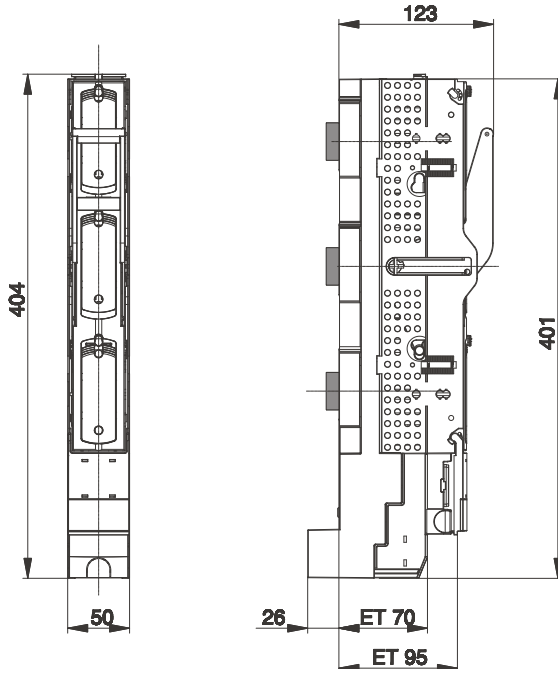
3-pole switching with current transformer

3-pole switching with standard terminal cover (ARA)

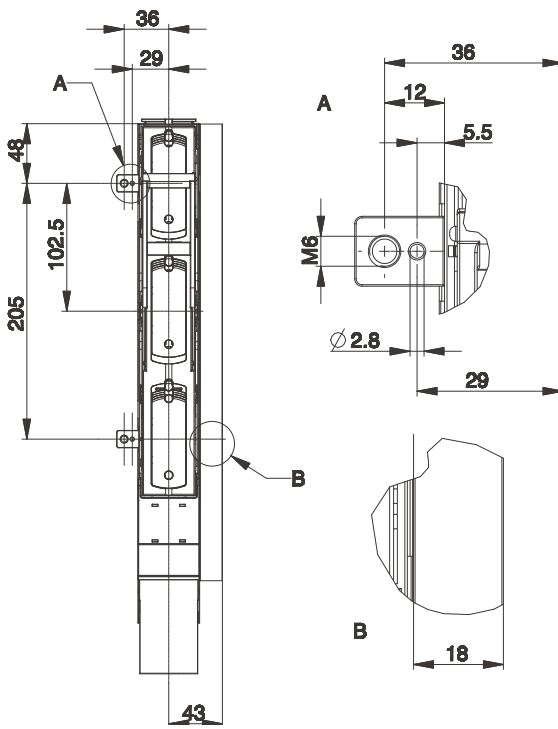
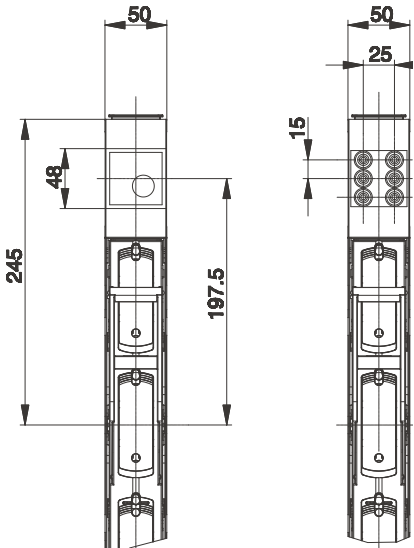
Power distribution components



Device carrier, short



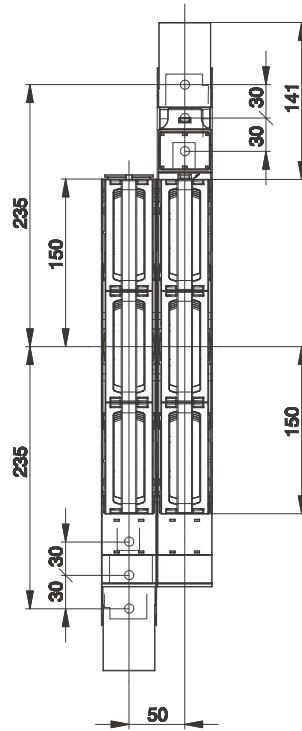
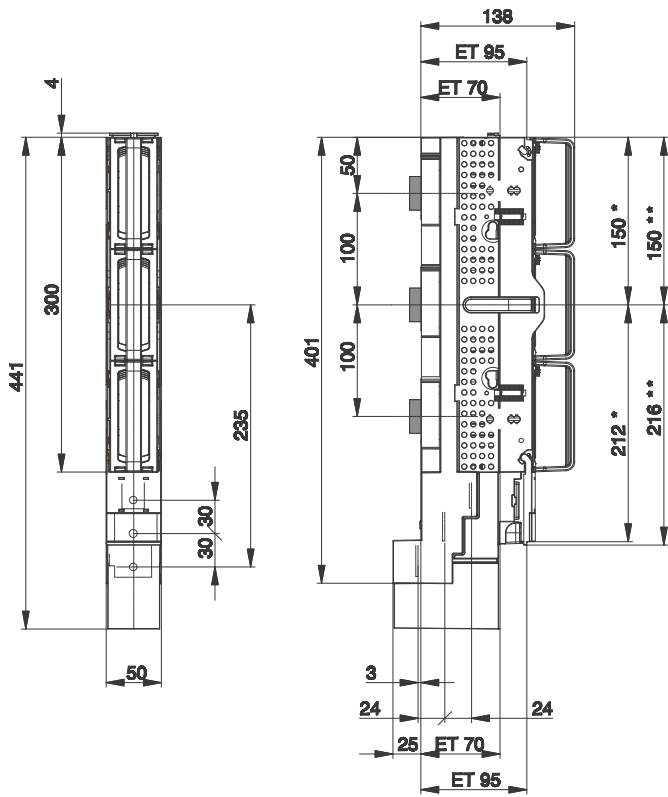
Angle bracket and sideframe



Cut-out dimensions ET 95 = ** dimensions + 1 mm
Cut-out dimensions ET 70 = ** dimensions + 1 mm
ET = installation depth of the cover

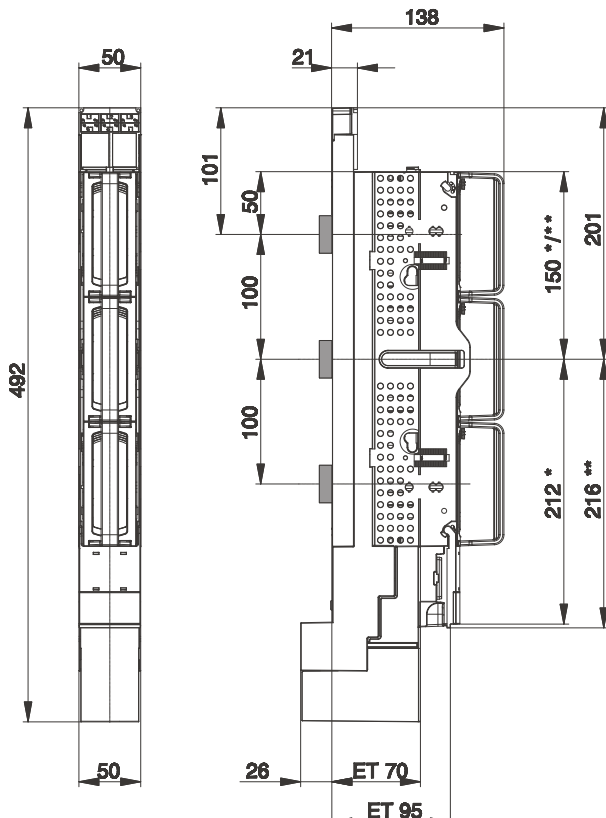
E³ NH Fuse-Switches, vertical design Size 00/100

1-pole switching with long terminal cover

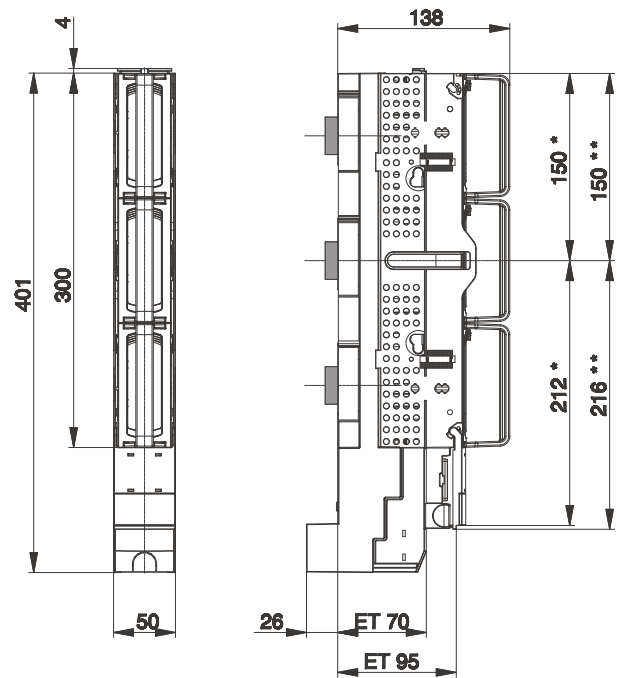


Power distribution
components

1-pole switching with current transformer



1-pole switching with standard terminal cover



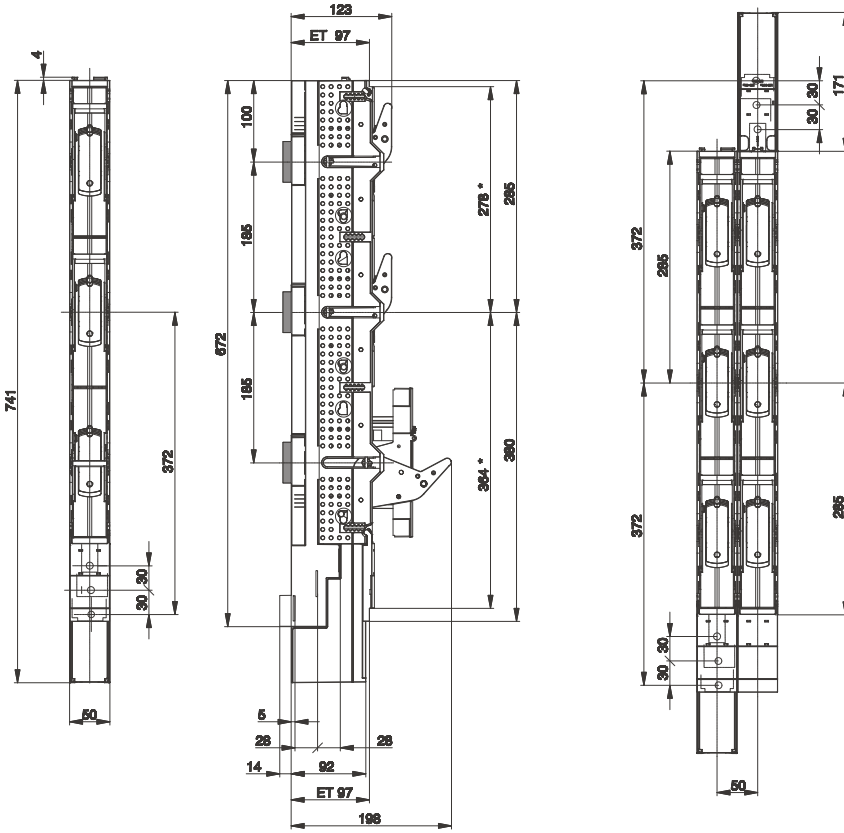
Cut-out dimensions ET 95 = ** dimensions + 1 mm
Cut-out dimensions ET 70 = ** dimensions + 1 mm
ET = installation depth of the cover

EFEN NH Fuse-Switches, vertical design

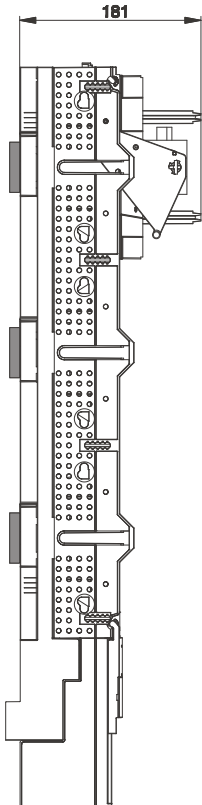
Size 00/185

1-pole switching with standard terminal cover

Power distribution components



Park position

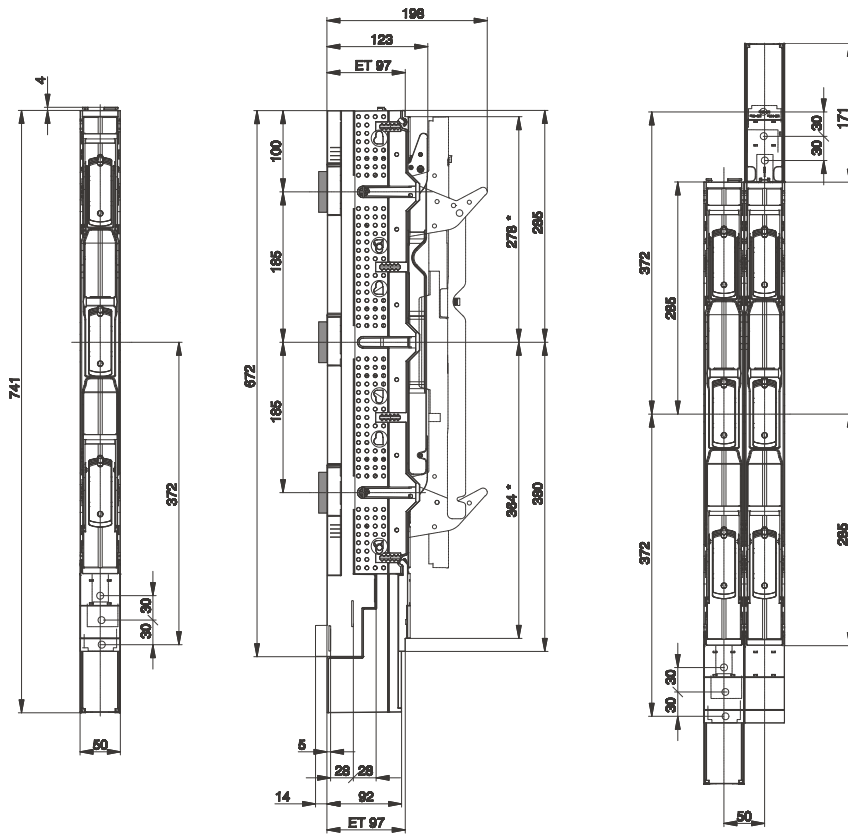


Cut-out dimensions ET 97 = * dimensions + 1 mm
 ET = installation depth of the cover

EH NH Fuse-Switches, vertical design

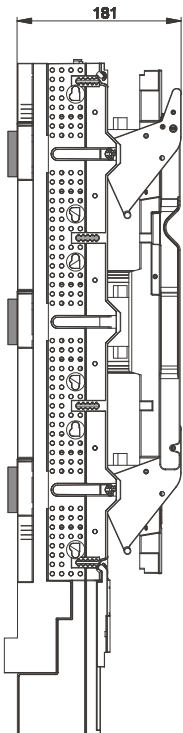
Size 00/185

3-pole switching with standard terminal cover



Power distribution components

Park position



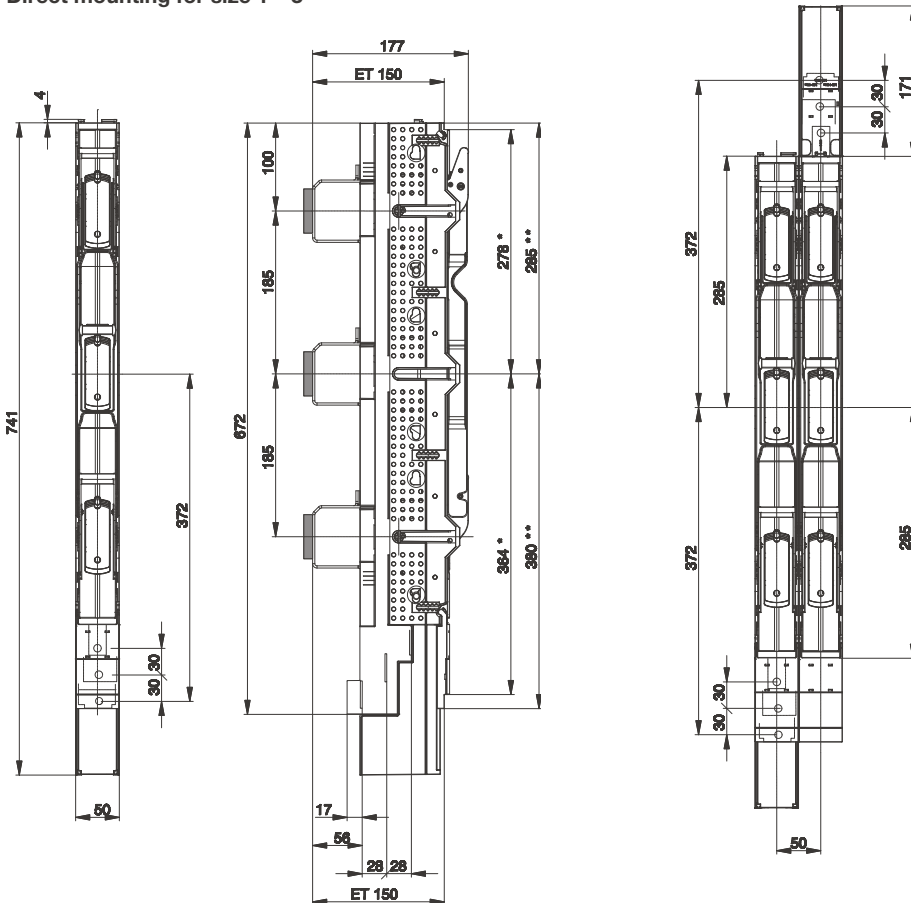
Cut-out dimensions ET 97 = * dimensions + 1 mm
ET = installation depth of the cover

EH³ NH Fuse-Switches, vertical design

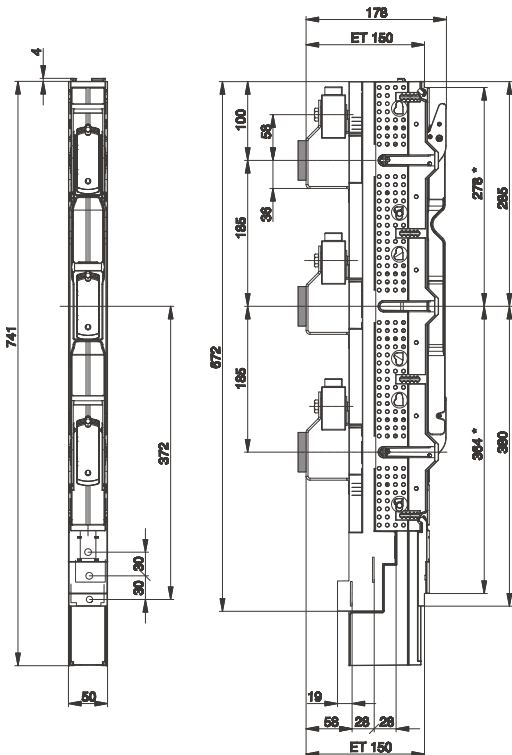
Size 00/185

Direct mounting for size 1 – 3

Power distribution components



Direct mounting for size 1 – 3 with current transformer

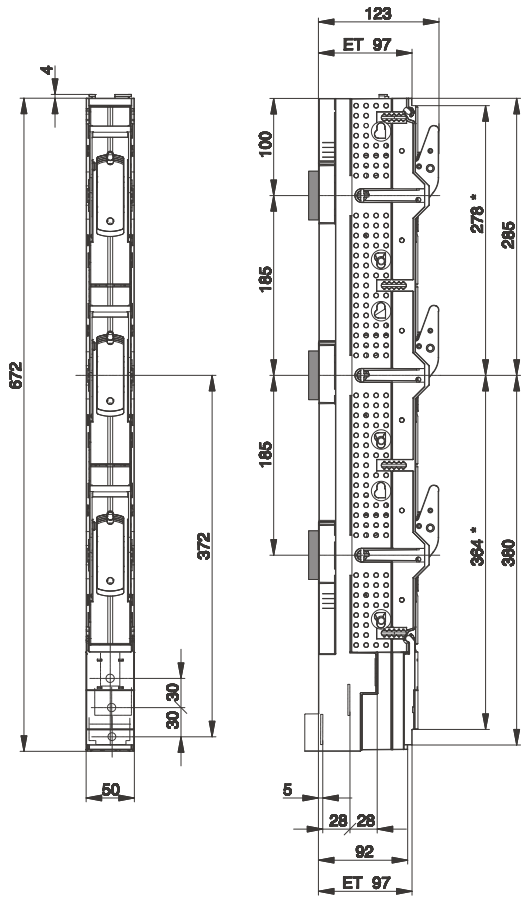


Cut-out dimensions ET 150 = * dimensions + 1 mm
ET = installation depth of the cover

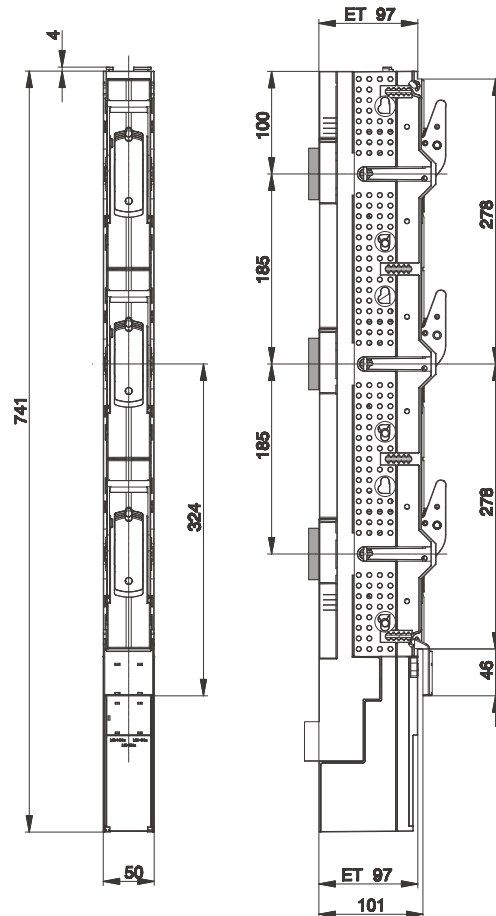
EH³ NH Fuse-Switches, vertical design

Size 00/185

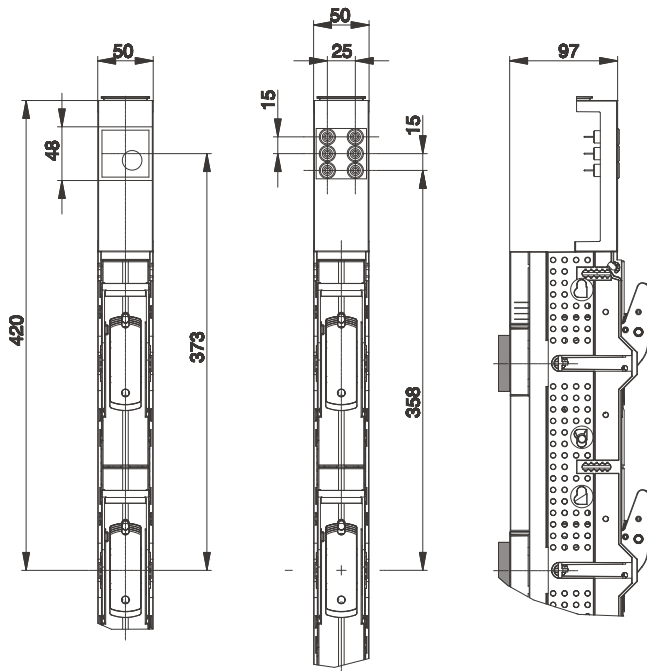
Terminal cover, short



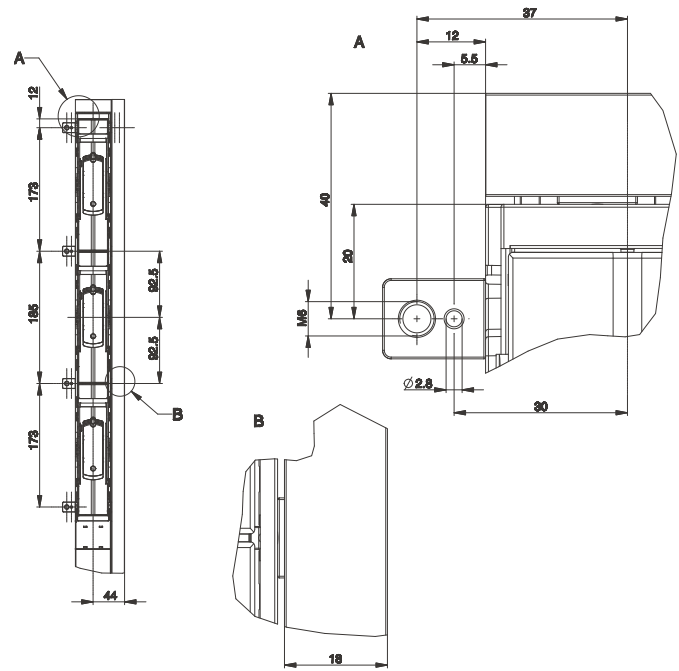
Carrier for identification label, short



Device carrier, long



Angle bracket and sideframe



Power distribution components

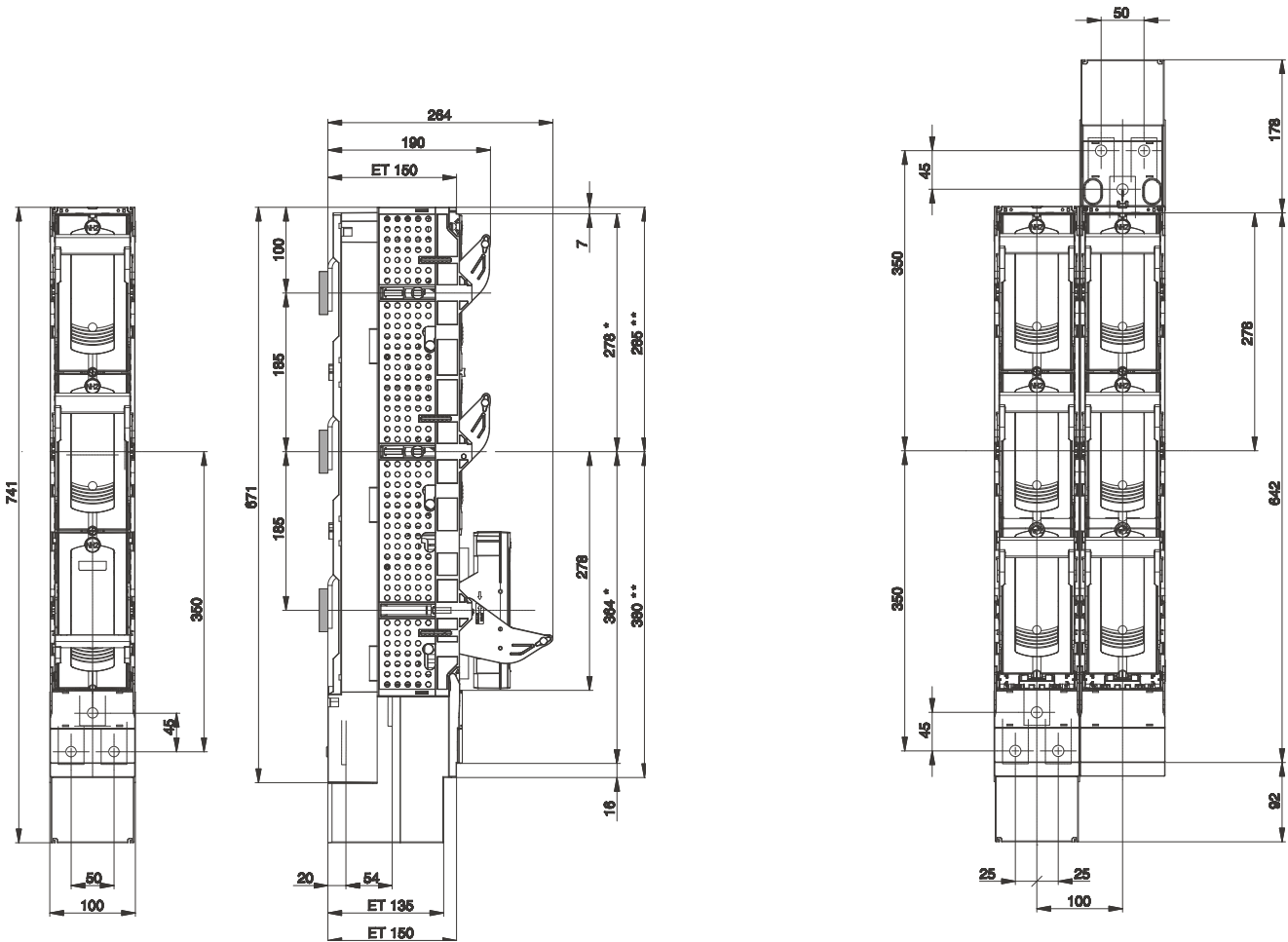
Cut-out dimensions ET 97 = * dimensions + 1 mm
 ET = installation depth of the cover

EFEN NH Fuse-Switches, vertical design

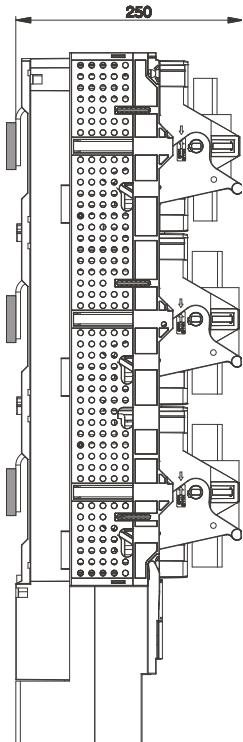
Size 1 – 3

1-pole switching with standard terminal cover

Power distribution components



Park position

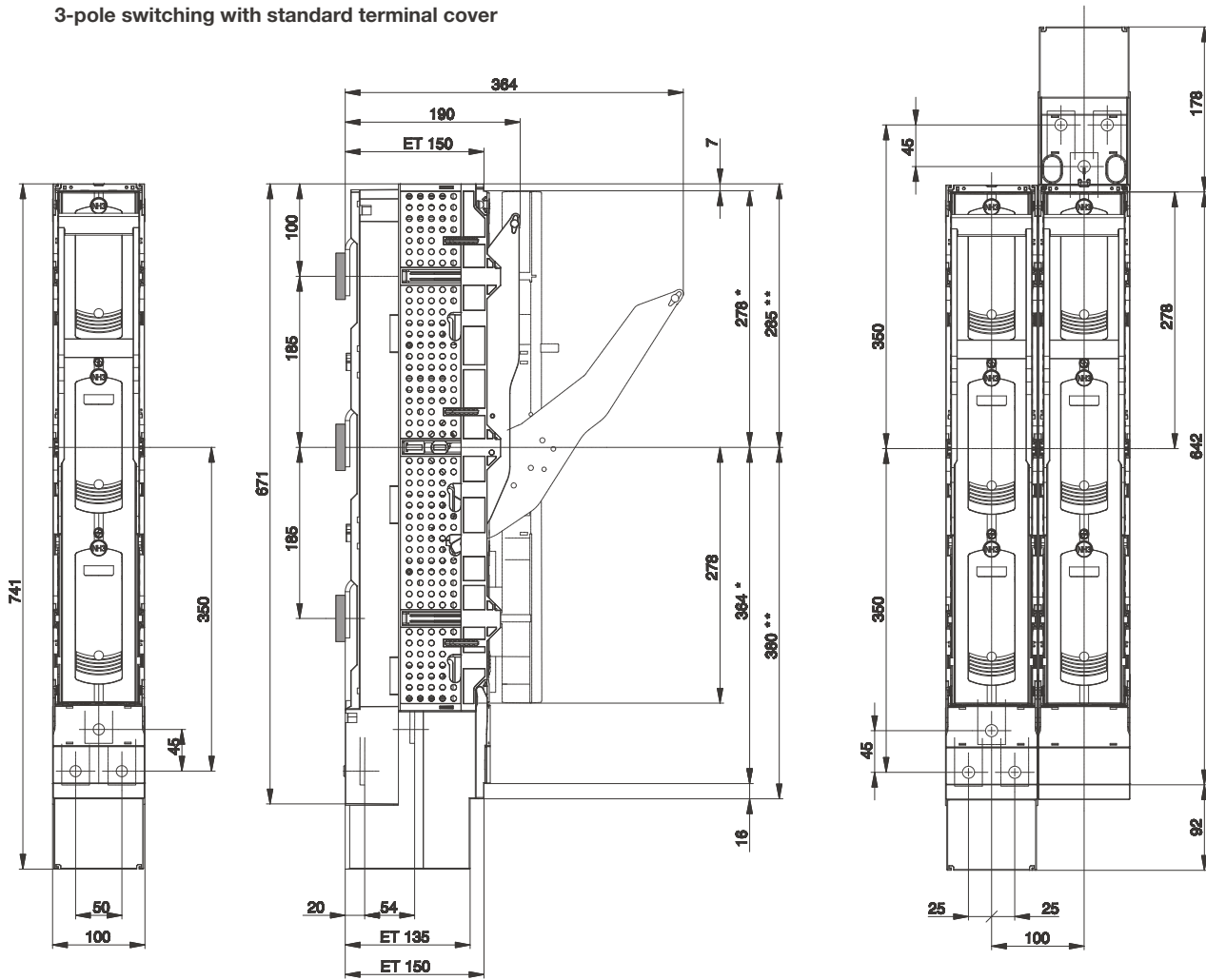


Cut-out dimensions ET 150 = * dimensions + 1 mm
 Cut-out dimensions ET 120 - 145 = ** dimensions + 1 mm
 ET = installation depth of the cover

E³ NH Fuse-Switches, vertical design

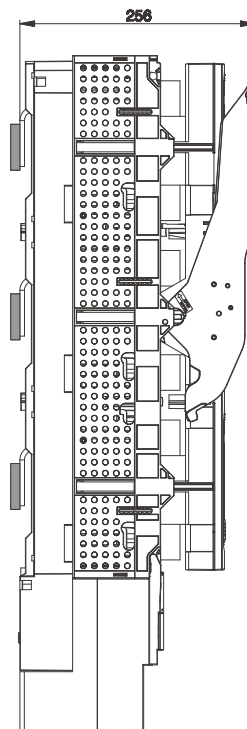
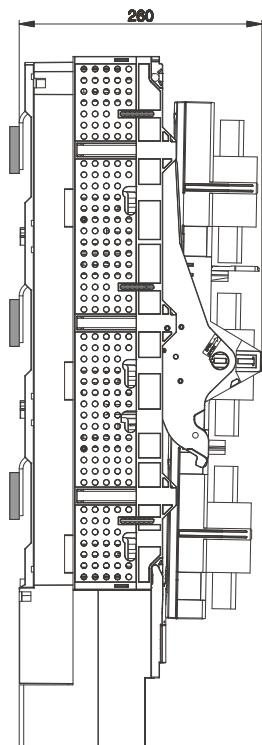
Size 1 – 3

3-pole switching with standard terminal cover



Power distribution components

Park position



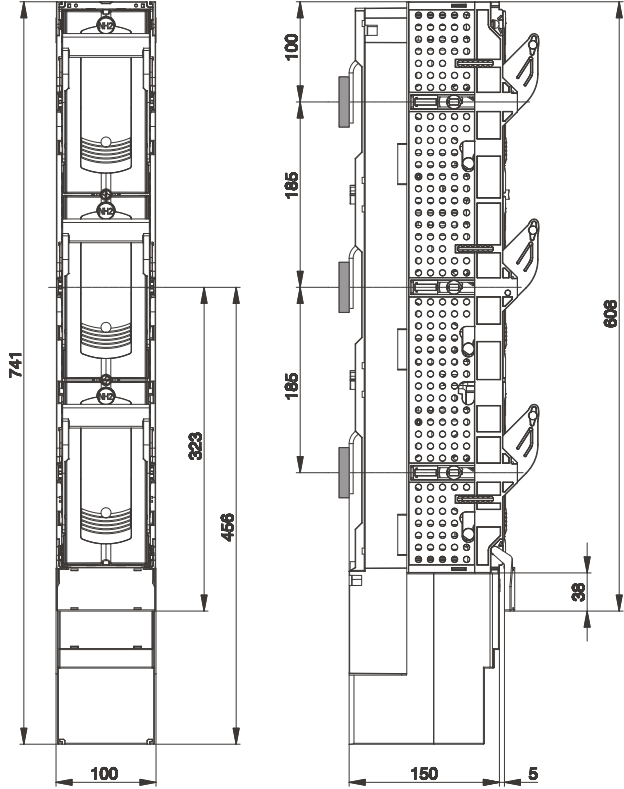
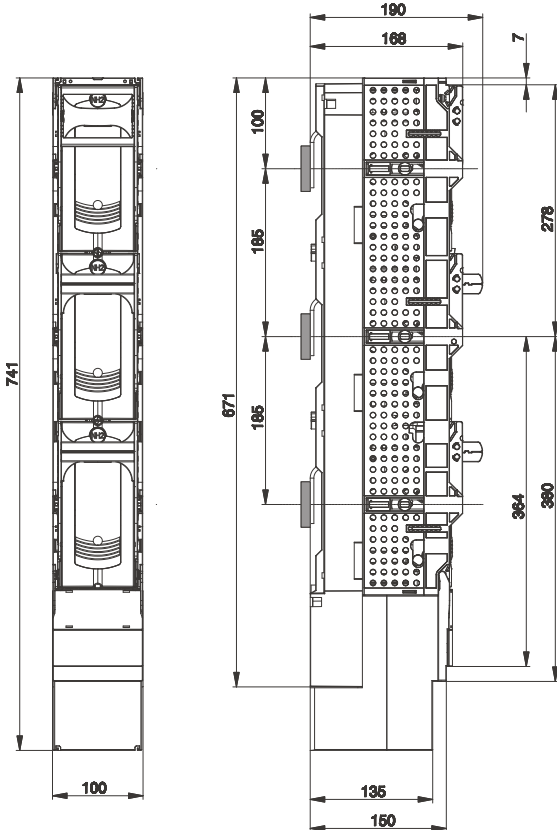
Cut-out dimensions ET 150 = * dimensions + 1 mm
 Cut-out dimensions ET 120 - 145 = ** dimensions + 1 mm
 ET = installation depth of the cover

EFEN NH Fuse-Switches, vertical design Special versions

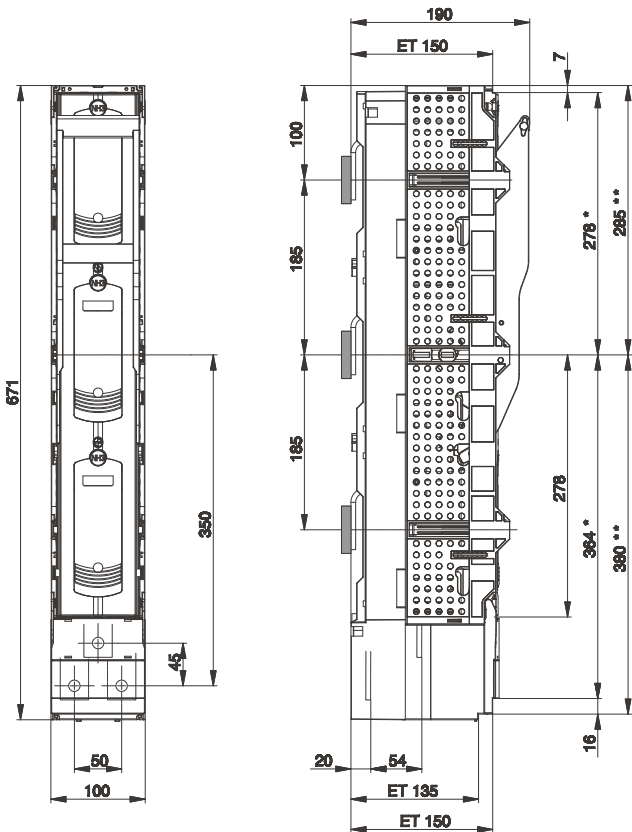
Low installation depth

Carrier for identification label, short

Power distribution components



Terminal cover, short

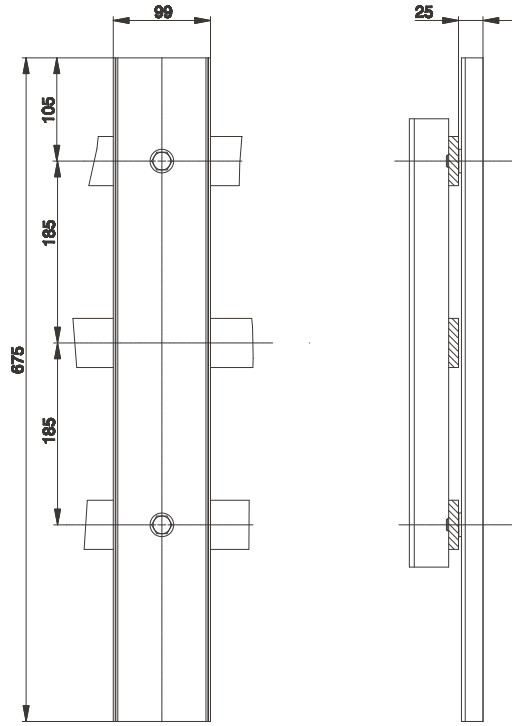


Cut-out dimensions ET 150 = * dimensions + 1 mm
Cut-out dimensions ET 120 - 145 = ** dimensions + 1 mm
ET = installation depth of the cover

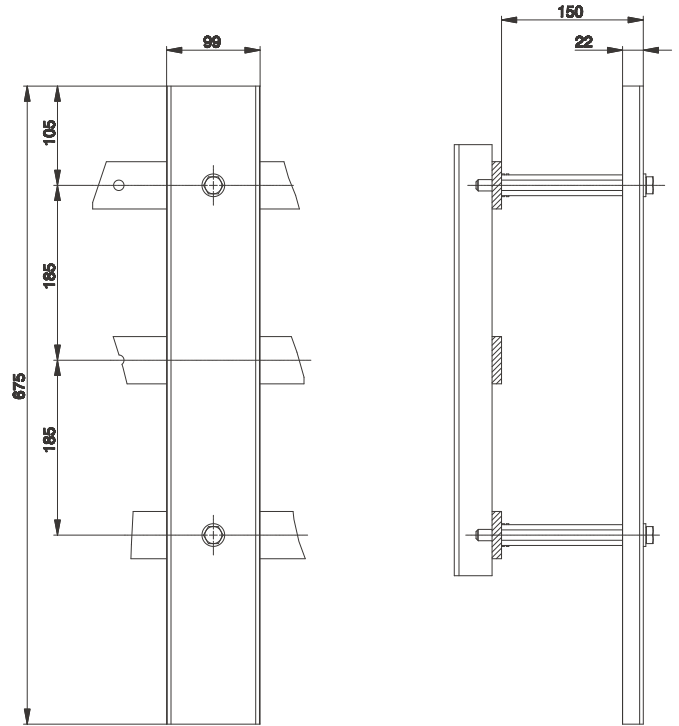
Ε³ NH Fuse-Switches, vertical design

Blanking covers, size 1 – 3

Cover mounted directly onto the busbar
36409-0010



Cover with spacer stud for elevated mounting
36410-0010

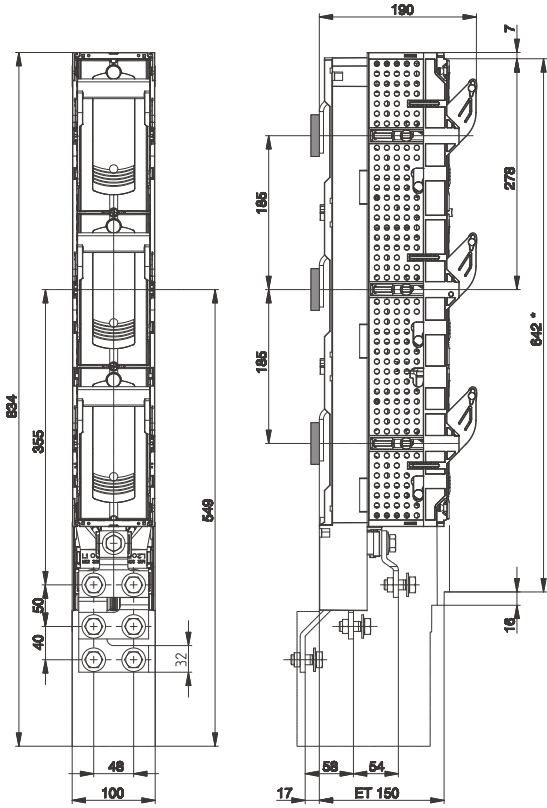


Power distribution
components

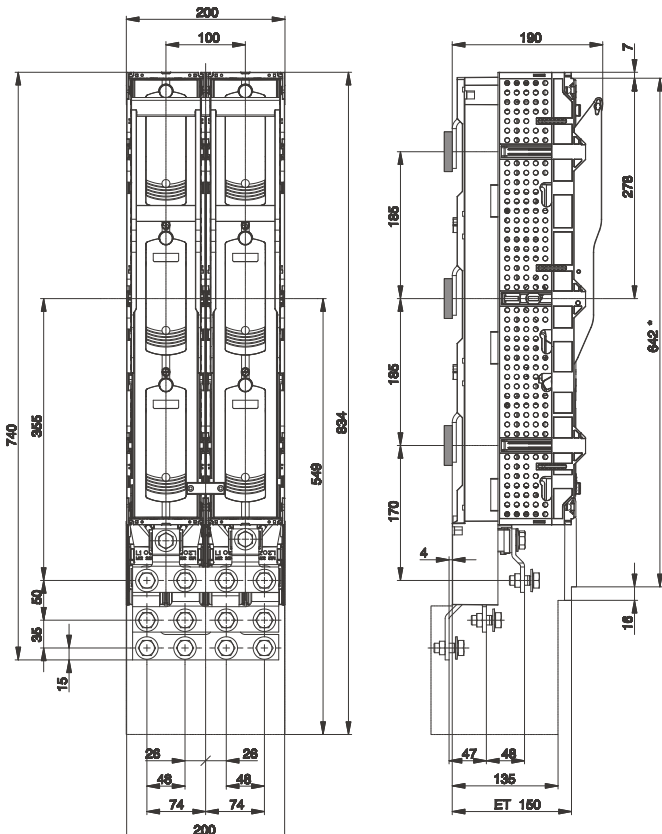
EFEN NH Fuse-Switches, vertical design 1000 and 2000 A

Feed switch 1000 A with fixed solid-link

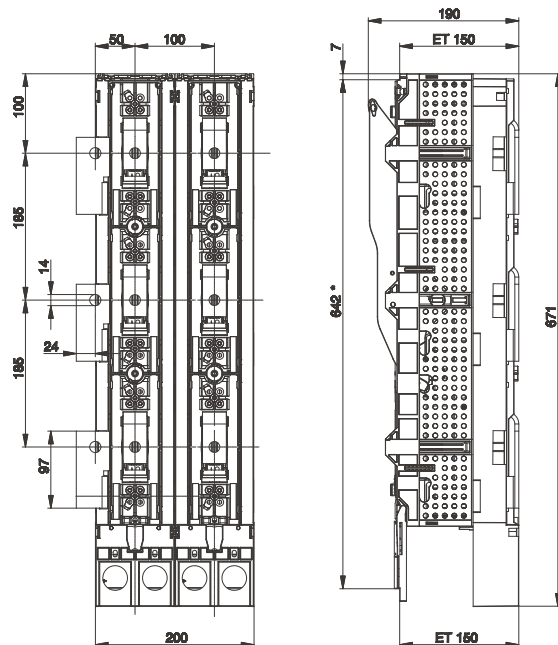
Power distribution
components



Feed switch 1000 A with fixed solid-link, parallel switching



Feed switch 1000 A with fixed solid-link,
parallel switching, terminal on the left-hand side

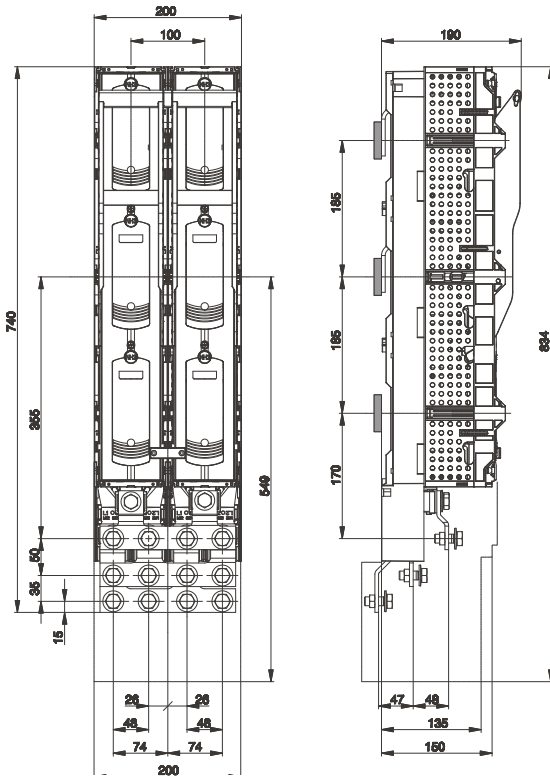


Cut-out dimensions ET 150 = * dimensions + 1 mm
Cut-out dimensions ET 120 - 145 = ** dimensions + 1 mm
ET = installation depth of the cover

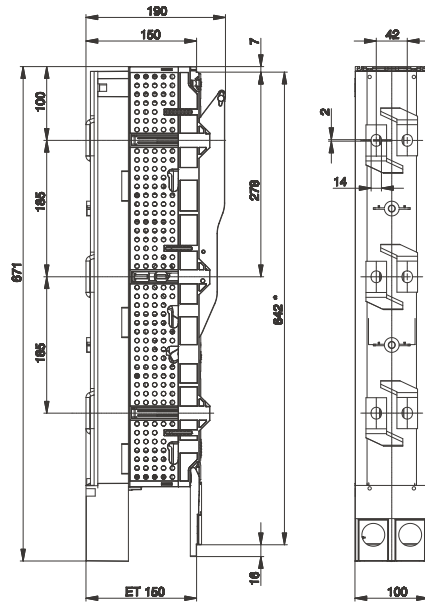
EH NH Fuse-Switches, vertical design

Various designs

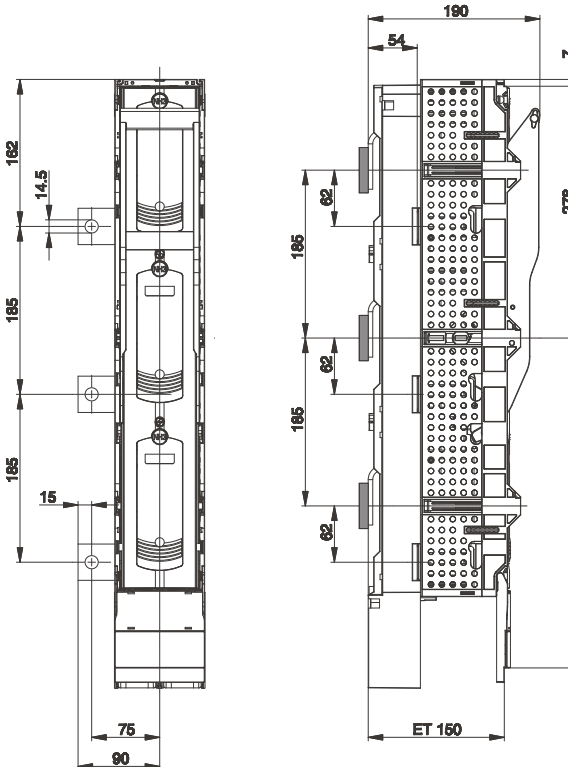
NH Fuse-Switch, vertical design, parallel switching



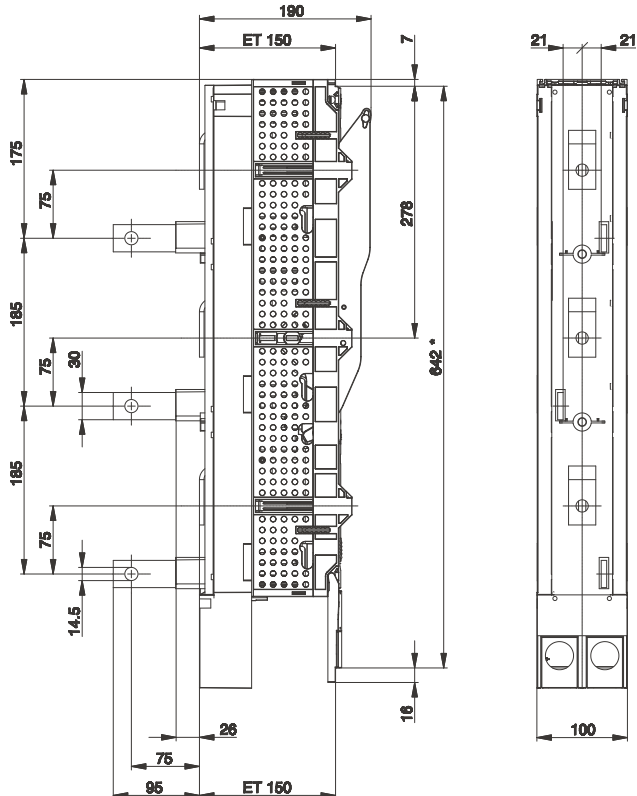
Internal terminal 630/1000 A



Lateral terminal 630/1000 A



Terminal on the rear side 630/1000 A



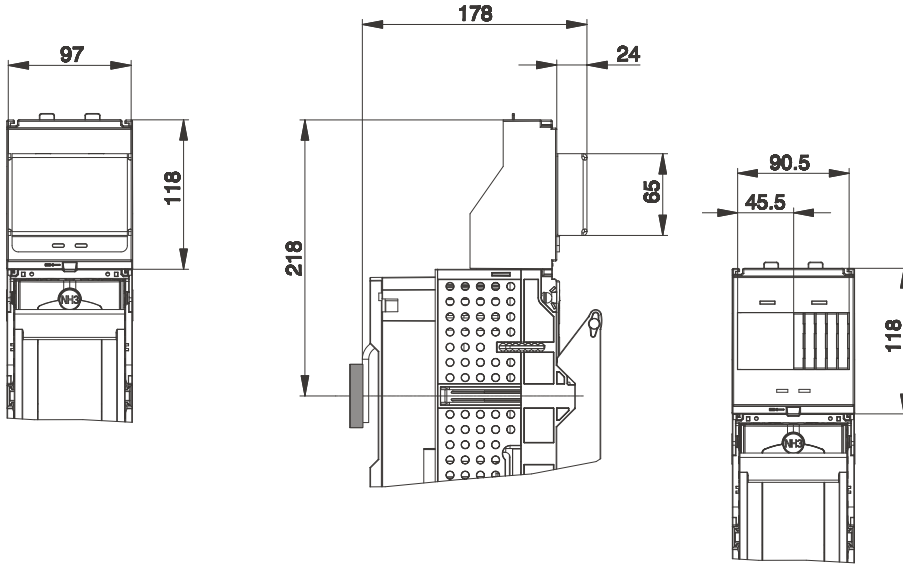
Power distribution components

EFEN NH Fuse-Switches, vertical design

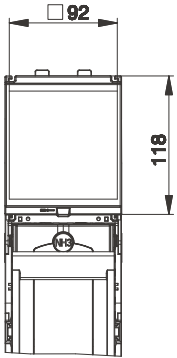
Accessories, size 1 – 3

Device cover 36428-0010
Sealing kit 36434-0010

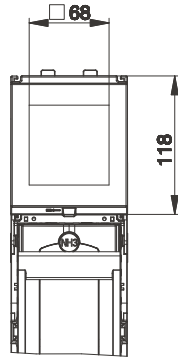
Power distribution components



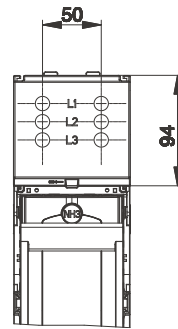
Device carrier, long
36422-0010



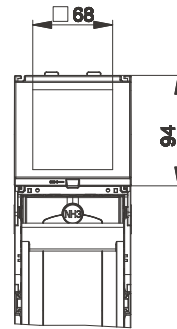
Device carrier, long
36383-0010



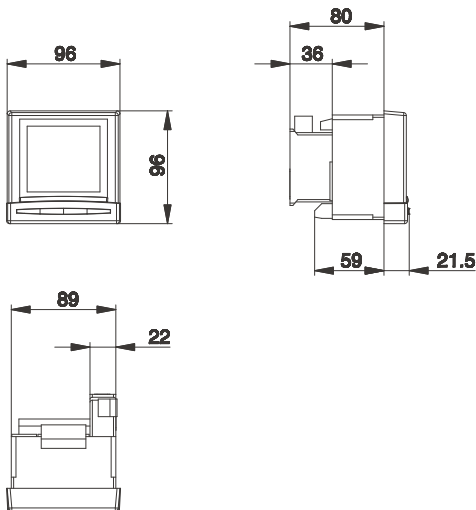
Device carrier, short
36427-0010



Device carrier, short
36424-0010



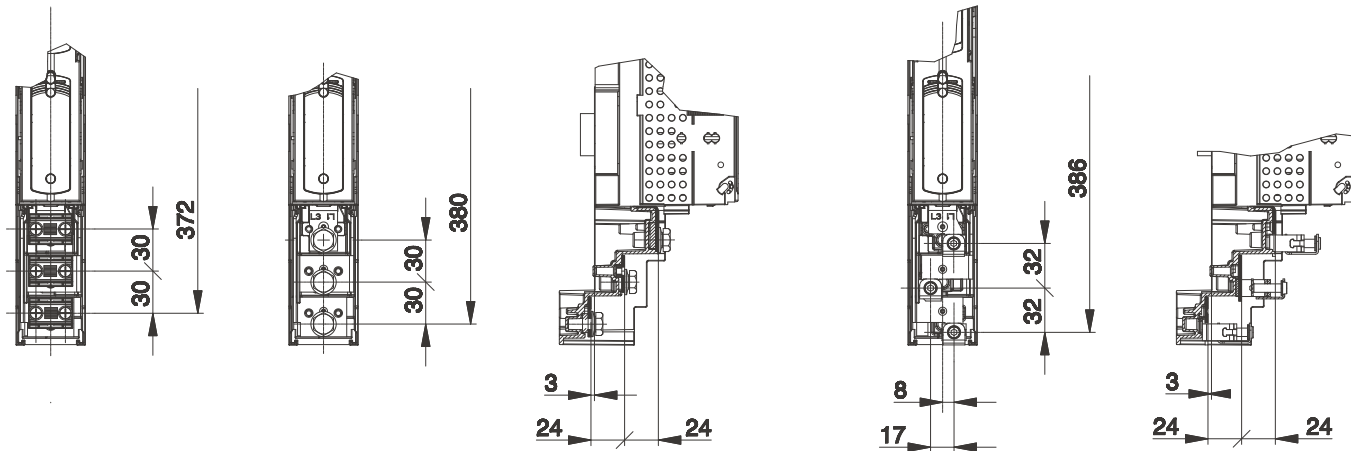
Multi-metering device
Plug-in module



Ε³ NH Fuse-Switches, vertical design

Terminal connection, size 00, 60/100/185 mm

Terminal connection, size 00, 60/100 mm

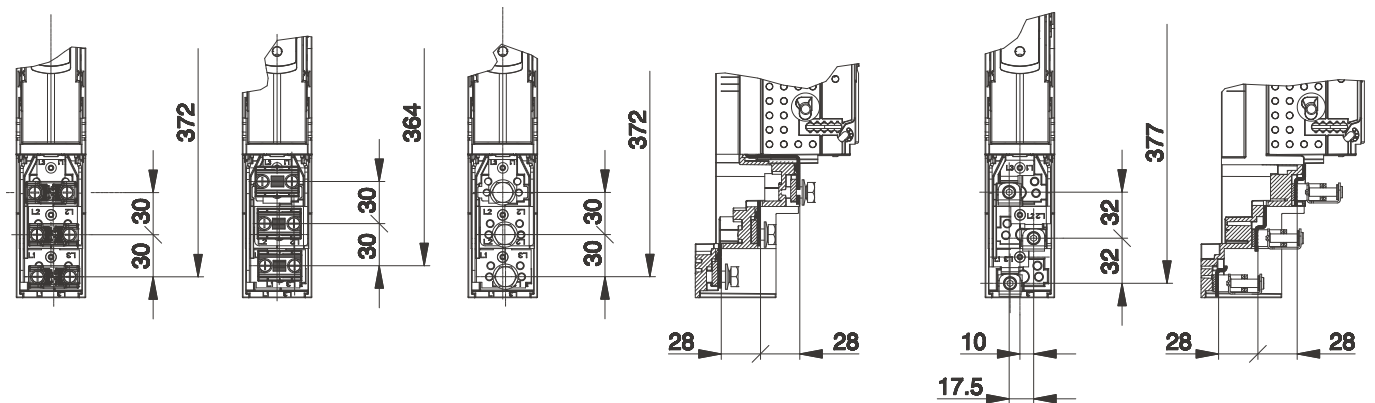


Terminal with pressure plates and contact prism, max. 95 mm²

Screw terminal M8 x 14

Box clamp, max. 95 mm²

Terminal connection, size 00, 185 mm



Terminal with pressure plates and contact prism, max. 150 mm²

Screw terminal M8 x 14

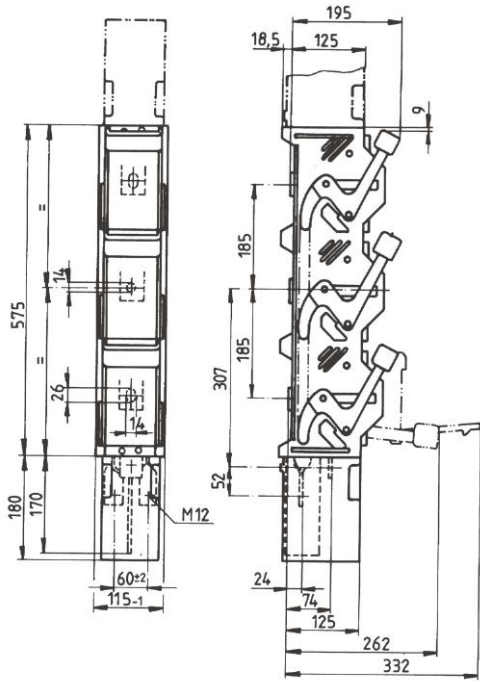
Box clamp, max. 95 mm²

Power distribution components

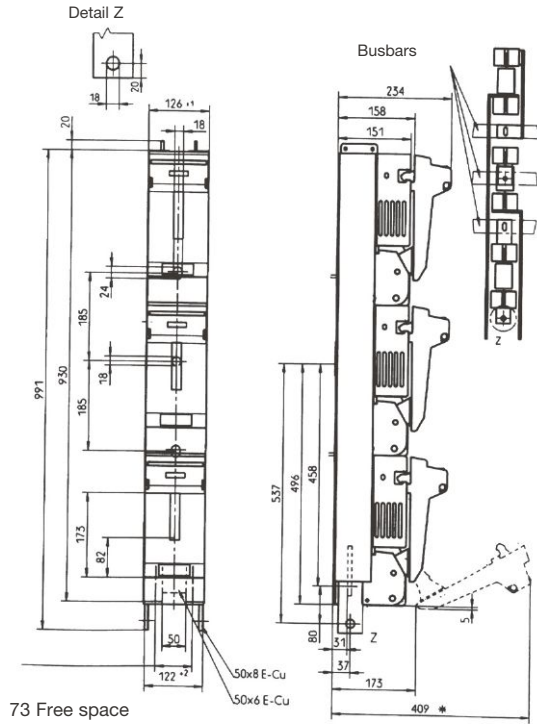
NH Fuse-Switches, vertical design

NH Fuse-Switch, vertical design, size 3: 630 A

Power distribution components



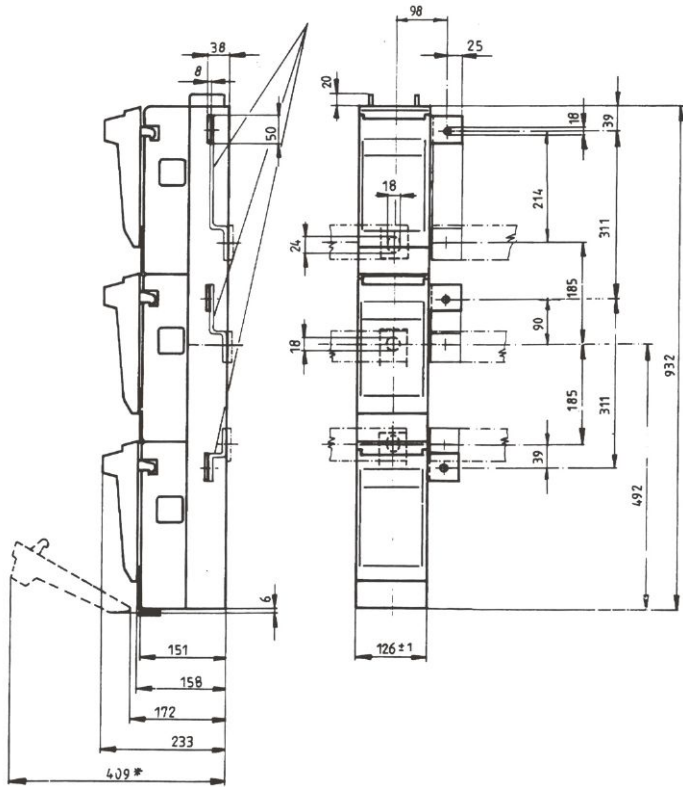
NH Fuse-Switch, vertical design, size 4a: 1250/1600 A



NH Fuse-Switches, vertical design

NH Fuse-Switch, coupling unit, size 4a: 1250 A

Contact angles to be manufactured by customer



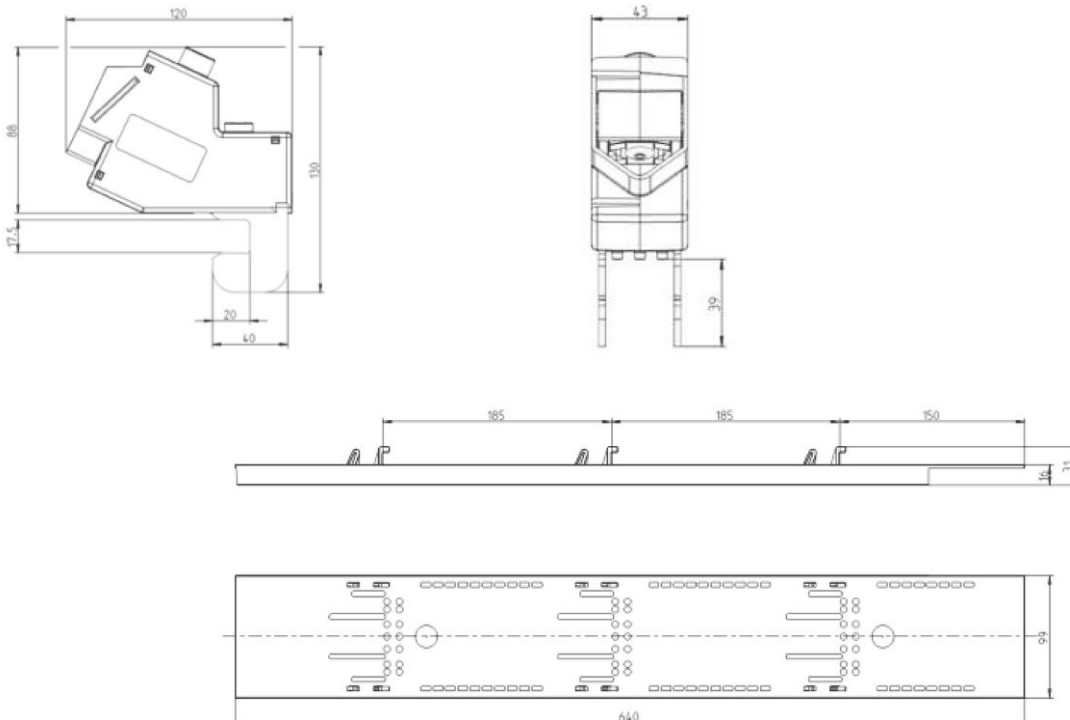
Power distribution
components

EH NH Fuse-Switches, vertical design, for IP2X applications

For NH Fuse-Switches, vertical design, according to VDE 0660 T-107 / IEC/EN 60947-1/-3

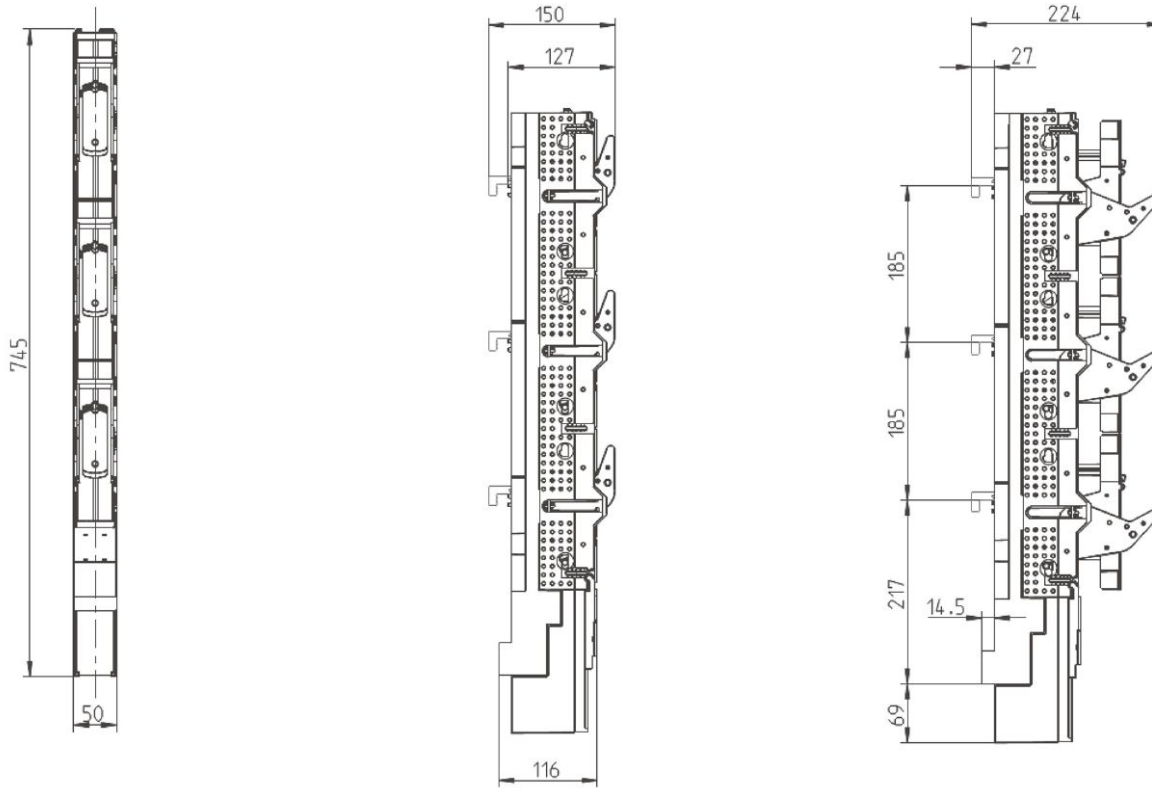
Suitable for NH fuse-links acc. to DIN 43210/1				Size 00	Size 1	Size 2	Size 3
Rated operating current	400 V	I_e	A	160	250	400	630
	500 V			160	250	400	630
	690 V			160	200	315	500
Conventional free-air thermic current		I_{th}	A	220	250	400	630
Rated operating voltage		U_e	V	AC 690	AC 690	AC 690	AC 690
Rated insulation voltage		U_i	V	1000	1000	1000	1000
Rated impulse withstand-current		U_{imp}	kV	8	12	12	12
Conditional rated short-circuit current (when protected by NH fuse-links)	400 V		kA_{eff}	100	120	120	120
	500 V			100	120	120	120
	690 V			100	100	100	100
Utilization category VDE 0660 T107 / EN/IEC 60947-3	400 V			AC-23B	AC-23B	AC-23B	AC-23B
	500 V			AC-22B	AC-22B	AC-22B	AC-22B
	690 V			AC-21B	AC-21B	AC-21B	AC-21B
Mechanical service life		Cycles		1400	1400	800	800
Electrical service life		Cycles		200	200	200	200
Permissible ambient temperature		°C		-25 to +55	-25 to +55	-25 to +55	-25 to +55
Degree of prot. acc. to DIN/EN 60529 / VDE 0470 T1		IP		30	30	30	30
Max. permissible power dissipation of the NH fuse-link		P_v	W	12	23	34	48
Total power dissipation (device without fuse-link)		P_v	W	22	22	45	89
Pollution degree		-	-	3	3	3	3
Overvoltage category		-	-	IV	IV	IV	IV
Rated frequency		-	Hz	50-60	50-60	50-60	50-60
Weight without NH fuse-link		-	kg	2,00	4,71	5,41	6,10

Power distribution components



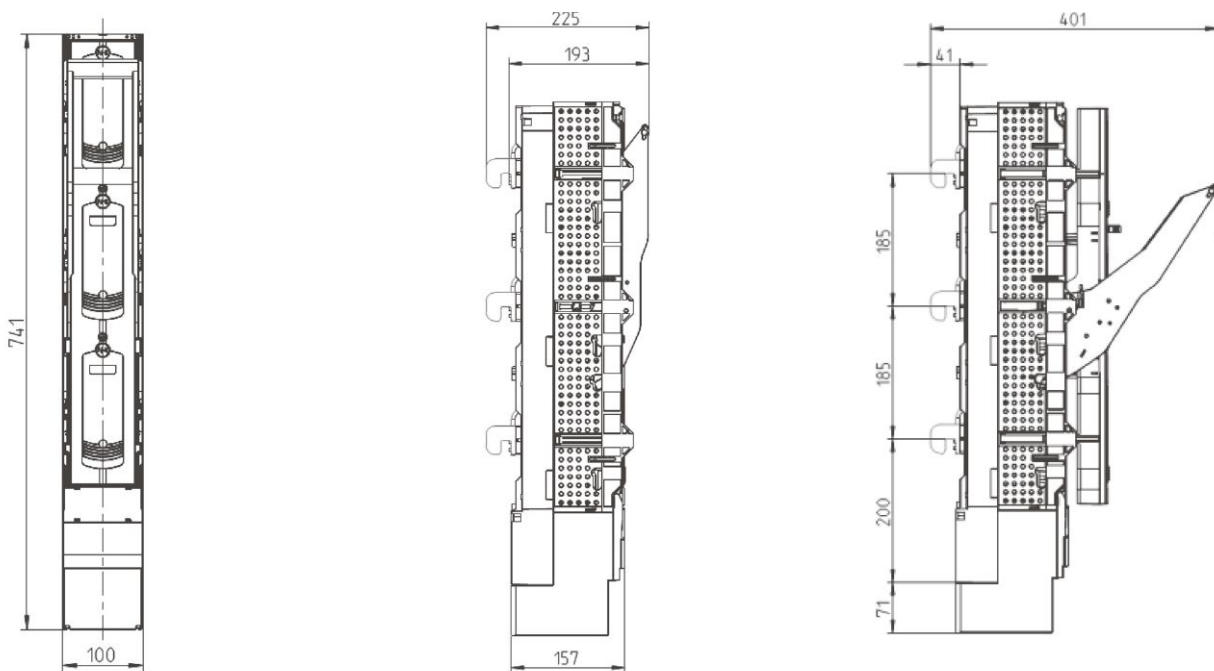
EH NH Fuse-Switches, vertical design, for IP2X applications

NH Fuse-Switches, vertical design, size 00



Power distribution components

NH Fuse-Switches, vertical design, size 1 - 3



NH Fuse-Switches, vertical design

NH Fuse-Switches, vertical design, 630 kVA

The requirements for HV fuse-links are defined in standard IEC 60282-1. In Germany, the allocation of HV fuse-links to transformers is specified in standard DIN VDE 0670 part 402. This applies whenever a main fuse-link according to DIN VDE 0636 part 2011, utilization category "gTr" is used on the secondary side of the transformers. The selectivity between HV back-up fuse-links and NH main fuse-links of type "gTr" required by operators is thereby ensured.

The characteristic curve of the NH fuse-link of utilization category "gTr" according to DIN VDE 0636 part 2011 is adjusted to the thermal capacity of the transformers and the HV fuse-link. This allows the optimal utilization of the transformers' overload capacity. Transformer fuse-links of utilization category "gTr" must be able to withstand the 1.3-fold transformer rated current for at least 10 hours. The fuse-link trips at the 1.5-fold transformer rated current within a period of 2 hours. Transformer fuse-links are designated in accordance with the transformer rated current in kVA.

In practice, this means that e.g. an NH fuse-link of size 3, 630 kVA, can withstand an operating current of 1182 A for a minimum period of 10 hours. Such a high load not only increases the NH fuse-link's power dissipation, but also puts additional load on the NH fuse-switch used in the system. Accordingly, a sufficiently rated NH fuse-switch must be used.

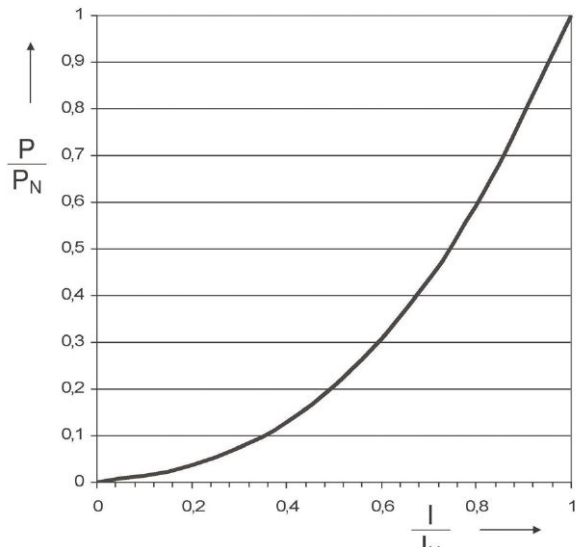
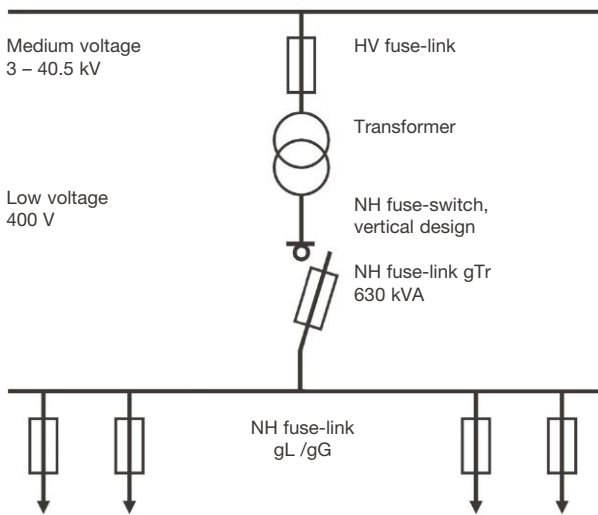
NH fuse-switch devices with a rated operating current of 910 A are not suitable for use with 630 kVA fuse-links as outlined above. Even when using a fuse-link of the next lower rating of 500 kVA, the switching device operated with a current of 1.3 times the rated transformer current must withstand an operating current of 939 A over a minimum period of 10 hours. In this case, the operator must provide additional overcurrent protection devices to ensure that the maximum permissible operating current of the NH fuse-switch of 910 A is not exceeded.

EFEN vertical-design NH fuse-switches rated at 630 kVA are true and uncompromised 630-kVA devices. Due to their specific design, they withstand the high operating currents that occur when the overload capacity of transformers is utilized (up to 1182 Amps for at least 10 hours). This is why these EFEN's vertical-design NH fuse-switches are specified with the transformer rated capacity in kVA similar to DIN VDE 0636/2011.

Specific features:

- Rated power 630 kVA at 400 V AC
- Robust design and plastics with a high thermal resistance
- Parallel disconnection for high breaking capacity
- Top, bottom or rear connections are available

630 kVA fuse-switches of horizontal design of size 3 are available as well.



NH Fuse-Switch, vertical design, size 3: 630 kVA

Terminal type and location	Size	kVA	Variant	Order no.	Designation	PU	Weight in kg
M12, bottom	3	630	1-pole switching	38300-1235	NH-La-Lei 3 1PU 630kVA VE SM ST GG L6	1	5,60
M12, top	3	630	1-pole switching	38350-1235	NH-La-Lei 3 1PO 630kVA VE SM ST GG L6	1	7,12
Clinch nut M12, rear side	3	630	1-pole switching	37374-1465	NH-La-Lei 3 1PH 630kVA GG S6	1	7,00
M12, bottom	3	630	3-pole switching	38300-1275	NH-La-Lei 3 3PU 630kVA VE SM ST GG L6	1	7,29
M12, top	3	630	3-pole switching	38350-1275	NH-La-Lei 3 3PO 630kVA VE SM ST GG L6	1	7,32
Clinch nut M12, rear side	3	630	3-pole switching	38374-1495	NH-La-Lei 3 3PH 630kVA GG S6	1	7,00

NH Fuse-Switches, vertical design

630 kVA NH feeding Fuse-Switch with special terminal block

Application

This device is used as feeding switch in low-voltage distribution systems of transformer stations up to 630 kVA (transformer protection concept).

Benefits:

Terminal block with special contact lugs for connection to up to 60 mm wide busbars.

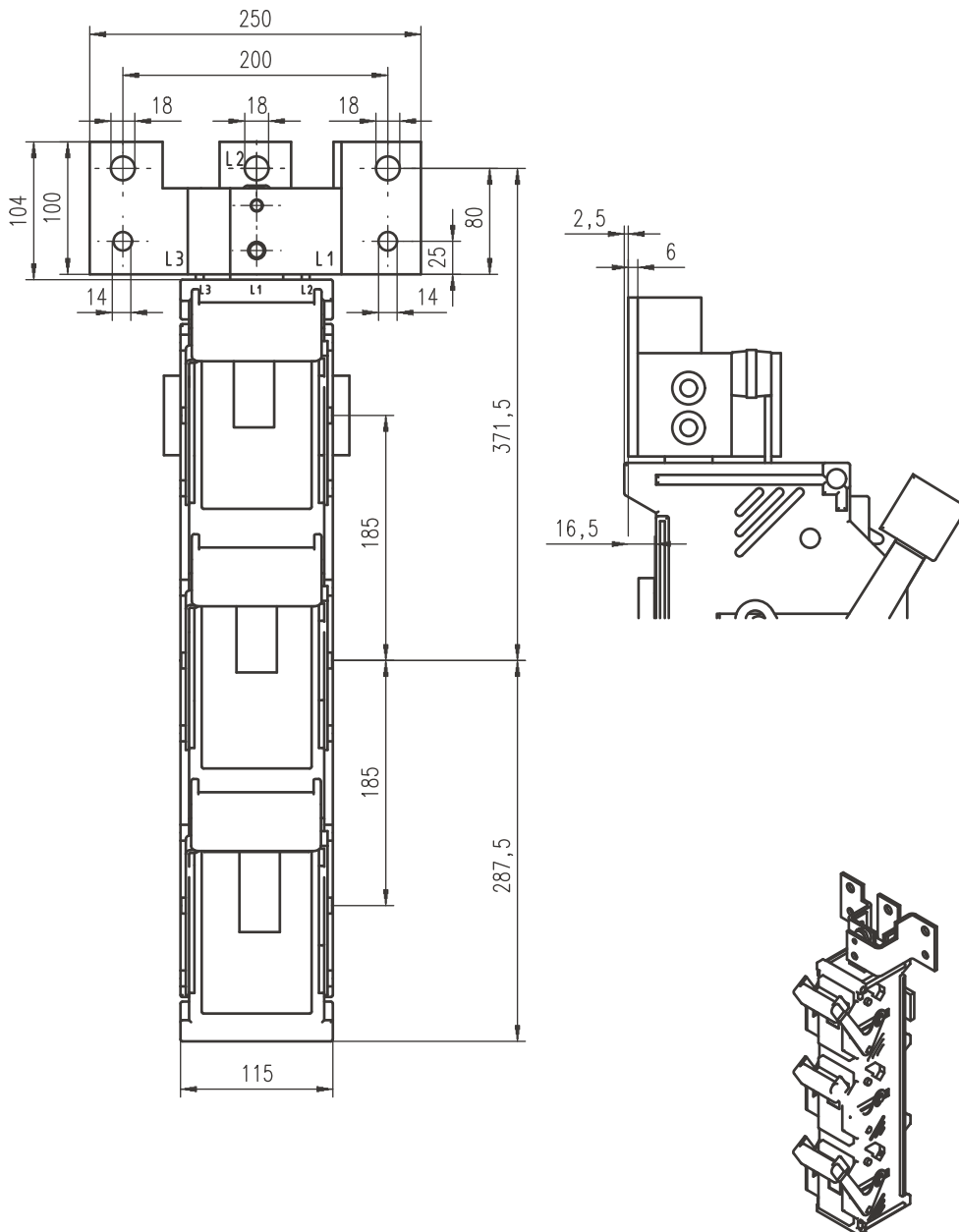
Mirrored terminals L1/L2 to eliminate crossings between cables or busbars and the secondary contacts of the transformer.

Simplified planning of installation and reliable compliance with specified air and creepage gaps due to fixed clearances between phases.

Extremely strong contact terminals for high electrodynamic stability.

Reliable thermal operating reliability at alternating ambient conditions due to extended device width of 115 mm.

Description	Size	kVA	Variant	Order no.	Designation	PU	Weight in kg
Special terminal for 60 mm busbars, top terminal	3	630	3-pole switching	38350-1595	NH-LA-LEI 3 3PO 630KVA SV L8 (L6)	1	7,00



NH Fuse-Switches, vertical design

NH Fuse-Switches, vertical design, size 2, 1-pole switching, EKDEO series

The NH vertical-design fuse-switches of the EKDEO series yield the following benefits also for the operator, especially when used in utility applications.

- Easy voltage testing directly on the contact blades of the NH fuse-links
- Easy current metering
- Compatible with piggyback fuse-switches for separate power branch-out
- Easy working with earthing cartridges, no further accessories required
- 150 mm installation depth for installation in low-profile cabinets

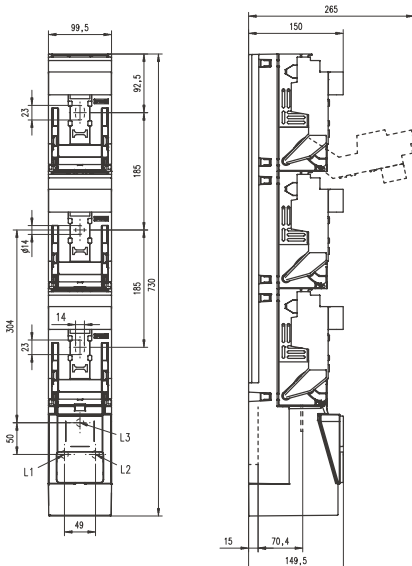
Technical data acc. to VDE 0660 T107/EN/IEC 60947-3

Suitable for NH fuse-links according to VDE 0636 T 2		Size	2
Rated operating current I_e^*		A	400
Conventional free-air thermic current I_{th}		A	400
Rated operating voltage U_e		V	690
Rated isolation voltage U_i		V	1000
Rated impulse withstand-current U_{imp}		kV	12
Conditional rated short-circuit current (when protected by NH fuse-links)		kA	100
Utilization category acc. to VDE 0660 T107 / EN/IEC 60947-3		U _e =400 V AC U _e =500 V AC U _e =690 V AC U _e =440 V DC	AC-23B AC-22B AC-21B DC-21B
Mechanical service life		Cycles	1600
Rated operating mode		Continuous operation	
Permissible ambient temperature		°C	-25 to +55
Degree of protection acc. to DIN/EN 60529 / VDE 0470 T1		IP	2x
Tightening torques	Busbar	Busbar mounting	32 Nm
		Hook mounting	20 Nm
	Cable connection	Conductor bolt M12	32 Nm
		V2N clamp	30 Nm
		V2 MD clamp	25 Nm
Maximum permissible power dissipation of NH fuse-link		P _v max.	34 W

* Please request further information when using gR fuse-links (VDE 0636/40) in our devices. Continuous technical development is our dedication. Specifications and data are subject to change without notice.

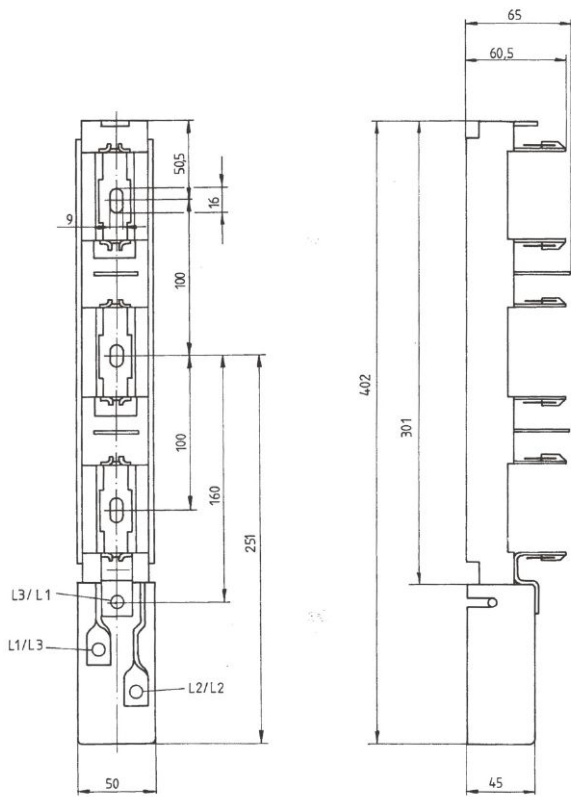
NH Fuse-Switches, vertical design, size 2, 1-pole switching, EKDEO series

Description	Size	Amps I_n	Order no.	Designation	PU	Weight in kg
Clinch nut M12	2	400	38664-0000	EKDEO 2 1P S6	1	3,77
Stud M12x30	2	400	38662-0000	EKDEO 2 1P B6	1	3,77
V-terminal (not including V-clamps)	2	400	38665-0000	EKDEO 2 1P V2	1	3,77
V2N-terminal (not including V-clamps)	2	400	38665-0470	EKDEO 2 1P V2N	1	3,77



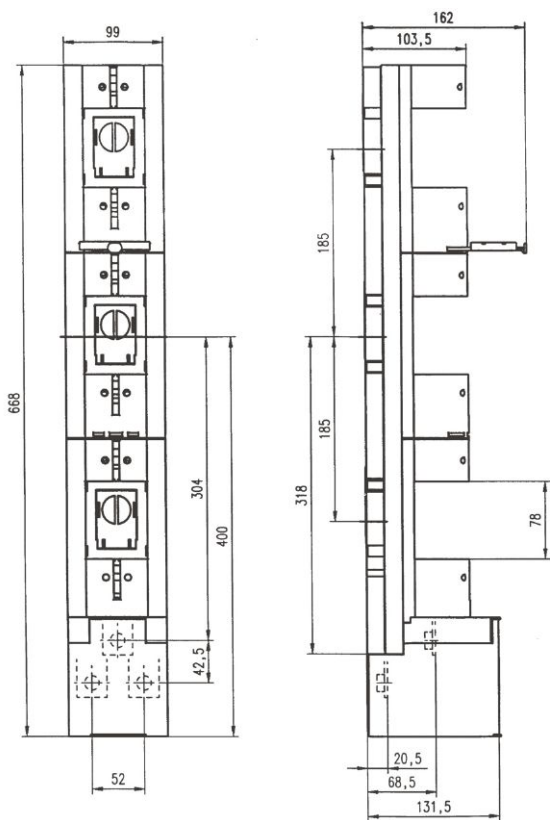
NH Fuse-Rails

NH fuse-rails, size 00/100: 125/160 A

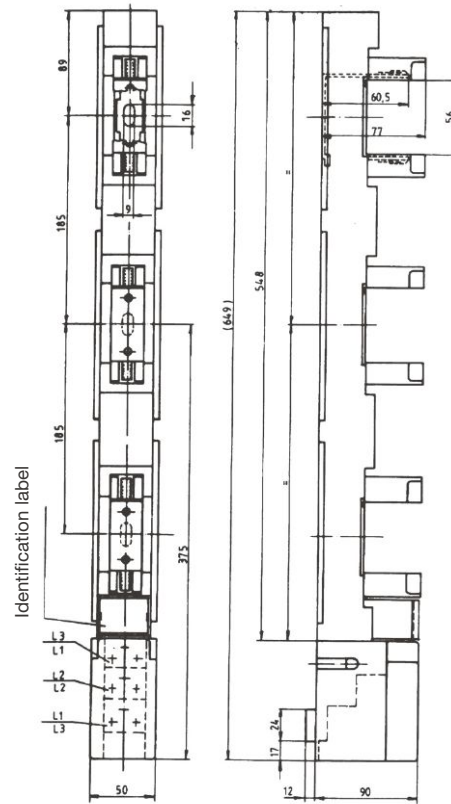


with contact cover and terminal cover

Eduro

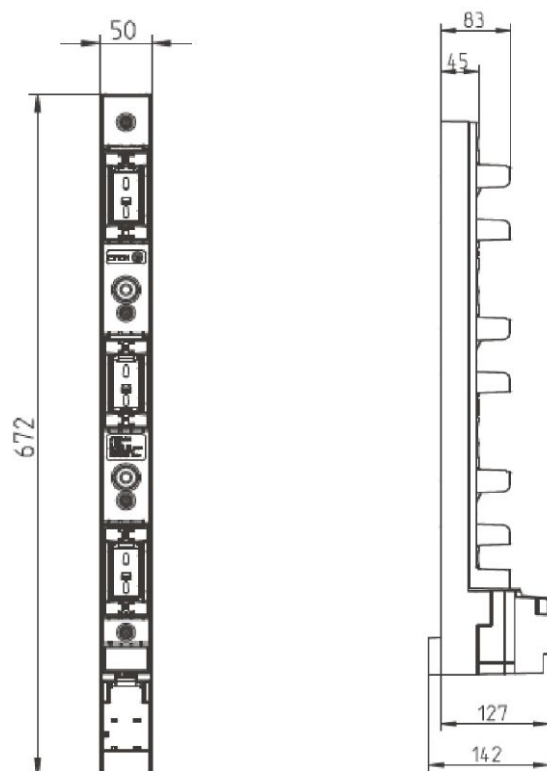


NH fuse-rails, size 00/185



with contact cover and terminal cover

E³ NH fuse-rails, size 00/185 with V-clamp



Power distribution components



Load-Break Switches / Load-Changeover Switches / Bypass Switches

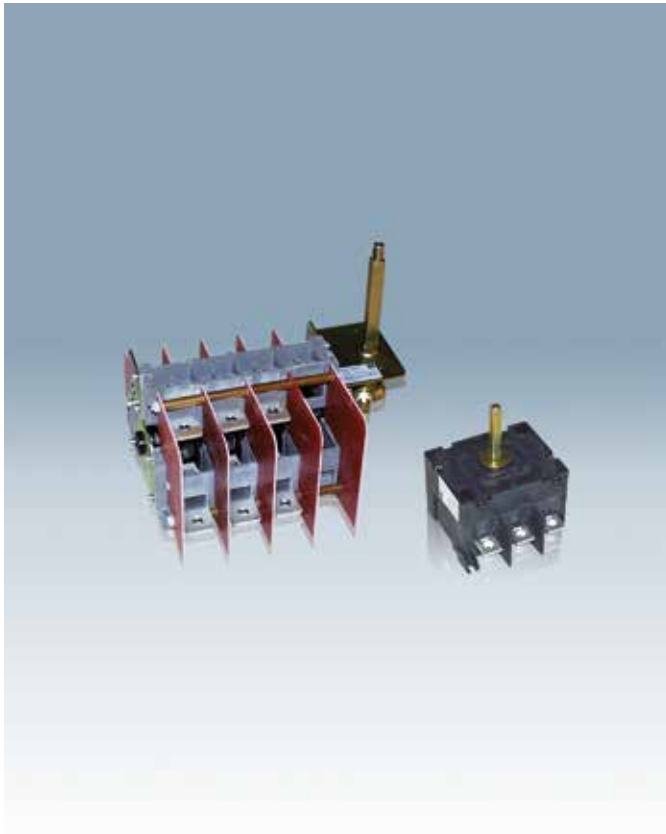
Load-break switches and load-changeover switches by EFEN are characterized by their robust functionality and compact design. They are ideally suited for applications in building-site power distributions, grid and grid back-up feed systems, telecommunications, hospitals, airports, railroad systems and transport services.

System

EFEN load-break switches and load-changeover switches are robust and versatile. The range comprises 3 and 4-pole as well as bypass versions with dual switch mechanisms, allowing six or eight poles to be switched simultaneously. Variants complying with DIN and BS standard are available.

Features

Thanks to their robust and compact design, the devices can be used in many ways, e.g. for construction-site power distribution, grid and grid back-up feed systems, utility applications and telecommunications. The visible isolation gap is another benefit of the changeover switches.



Load-Break Switches / Load-Changeover Switches

Load-break switches without fuse-links	page 4
Switch-fuse	page 5
Load-changeover switches 1 – 0 – 2	page 7
Load-changeover switches, steel enclosure	page 8
Master and emergency switches	page 10
Technical data	page 11

Load-Break Switch of type FAM
with double breaking



Load-Changeover Switch of type FMU
in steel enclosure



Load-break switches without fuse-links



Application

Load-break switches of type FAM reliably and safely disconnect circuits under nominal load and under overload conditions from the grid (feed). When switched off, the device complies with the requirements for isolator switches up to 690 Volt.

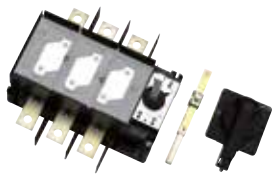
Areas of use

- Installation distributors
- Power distribution
- Motor control centers
- Control systems

Scope of supply

Devices are supplied with handle and face plate.

► Technical data, page 11



29250-1100

Load-break switches, 3 and 4-pole, 63–200 A, type FAM

Designation	Poles	Amps	PU	Product designation	Order no.
Load-break switch	3	100	1	FAM 10/3-A 100A/3 AF KM L	29250-0600
Load-break switch	3	125	1	FAM 12/3-A 125A/3 AF KM L	29250-0700
Load-break switch	3	160	1	FAM 16/3-A 160A/3 AF KM L	29250-0800
Load-break switch	3	200	1	FAM 20/3-A 200A/3 AF KM L	29250-0900

Switch-fuse



Features

Switch-fuses of type SILA combine the benefits of an NH fuse-switch with those of a load-break switch in one unit. Their actuation is independent of the operator. The switching chamber is isolated from the fuse-links. Arcing that occurs when disconnecting is quenched inside the switching chamber.

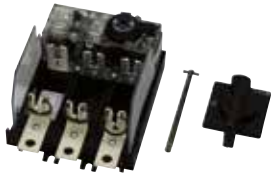
Areas of use

- Construction site power distribution
- Switchboards
- Installation distributors, etc.

Scope of supply

Devices are supplied complete with padlockable handle, front cover, door coupling and shaft extension.

► Technical data, page 11



Switch-fuse (DIN type) 3-pole, 63–125 A, type SILA – NH 00

Designation	Amps	PU	Product designation	Order no.
Switch-fuse	63	1	SILA-NH 00-6/3-SE-A 63A/3 AF KM SN L	29400-0400
Switch-fuse	125	1	SILA-NH 00-12/3-SE-A 125A/3 AF KM SN L	29400-0700

29400-0700

Accessories for switch-fuses (DIN type) 3 and 4-pole, 63–125 A, type SILAD – NH 00

Designation	Poles	Amps	PU	Product designation	Order no.
Neutral pole with box terminal			1	NULLKONTAKT SILA 00 LANG SK	36909-0010
Neutral pole with lug, 185 mm			1	NULLKONTAKT SILA 00 LANG	36910-0010
Neutral pole with clinch nut			1	NULLKONTAKT SILA 00 LANG EPM	36911-0010
Terminal cover, single-side	3	63–125	1	KLAD-SILA 00 KURZE RÜCKWAND	36507-0010
Aux. switch 1 NO / 1 NC in position 1	3	63–160	1	HILFSSCHALTER 1W SILA/FAM 160	36593-0010

Switch-fuse



Features

Switch-fuses of type SILAD combine the benefits of an NH fuse-switch with those of a load-break switch in one unit. Their actuation is independent of the operator. The switching chamber is isolated from the fuse-links. Arcing that occurs when disconnecting is quenched inside the switching chamber.

Areas of use

- Construction site power distribution
- Switchboards
- Installation distributors, etc.

Scope of supply

Devices are supplied complete with padlockable handle, front cover, door coupling and shaft extension.

► Technical data, page 12



29410-0700

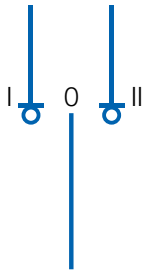
Switch-fuse (DIN type) 3-pole, 63–630 A; type SILAD – NH 00

Designation	Poles	Amps	PU	Product designation	Order no.
Switch-fuse	3	63	1	SILAD-NH 00-6/3-SE-A 63A/3 AF KM SN L	29410-0400
Switch-fuse	3	125	1	SILAD-NH 00-12/3-SE-A 125A/3 AF KM SN L	29410-0700
Switch-fuse	3	250	1	SILAD-NH 1-25/3-SE-A 250A/3 AF KM TZSN L	29400-1000
Switch-fuse	3	400	1	SILAD-NH 2-40/3-SE-A400A/3 AF KM TZ SN L	29420-1300
Switch-fuse	3	630	1	SILAD-NH 3-63/3-A 630A/3 AF KM TZ SN	29420-1500

Accessories for switch-fuses (DIN type) 3 and 4-pole, 63–630 A, type SILAD – NH 00

Designation	Poles	Amps	PU	Product designation	Order no.
Neutral pole with lug	*	63–125	1	NULLKONTAKT SILA 00 L	36907-0010
Neutral pole with box terminal	*	63–125	1	NULLKONTAKT FAM 6-16 SK	36908-0010
Neutral pole with clinch nut	*	100–160	1	NULLKONTAKT SILA 00 EPM	36906-0010
Terminal cover, single-side	3	100–160	1	KLEMMENABDECKUNG SILA 00 1-FACH	36501-0010
Terminal cover, single-side	3 + 4	200–300	1	KLAD-SILA 1 1-FACH	36506-0010
Terminal cover, single-side	3	400	1	KLAD-SILAC II	36589-0010
Terminal cover, single-side	3	630	1	KLAD-SILAC III	36591-0010

Load-changeover switch



Application

Load-changeover switches of type FMU (FMUN) connect one consumer with either of two power sources (e. g. grid or back-up power supply). The switching function of the devices is 1 – 0 – 2*. In position 1, the consumer is connected to grid supply. In position 2, it is connected to a back-up power supply. In position 0, the con-

sumer is completely isolated from the power sources. Thanks to the visible disconnection, the load-changeover switch complies with fuse-switch requirements.

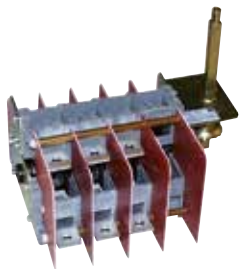
Areas of use

Telecommunications, railroad systems, utility applications, hospitals, radio stations, airports, transport services, etc.

Scope of supply

Devices are supplied with handle and face plate.

► Technical data, page 13



29300-0400

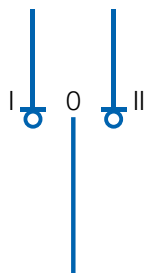
Load-changeover switches, 3 and 4-pole, 63–2000 A, type FMU (FMUN)

Designation	Poles	Amps	PU	Product designation	Order no.
Load-changeover switch	3	63	1	FMU 6/3-U0 63A/3 AF KM L	29300-0400
Load-changeover switch	3	80	1	FMU 8/3-U0 80A/3 AF KM L	29300-0500
Load-changeover switch	3	100	1	FMU 10/3-U0 100A/3 AF KM L	29300-0600
Load-changeover switch	3	125	1	FMU 12/3-U0 125A/3 AF KM L	29300-0700
Load-changeover switch	3	160	1	FMU 16/3-U0 160A/3 AF KM L	29300-0800
Load-changeover switch	3	200	1	FMUN 20/3-U0 200A/3 AF KM BN L	29320-0900
Load-changeover switch	3	250	1	FMUN 25/3-U0 250A/3 AF KM BN L	29320-1000
Load-changeover switch	3	300	1	FMUN 30/3-U0 300A/3 AF KM BN L	29320-1100
Load-changeover switch	3	400	1	FMUN 40/3-U0 400A/3 AF KM BN L	29320-1300
Load-changeover switch	3	500	1	FMUN 50/3-U0 500A/3 AF KM BN L	29320-1400
Load-changeover switch	3	630	1	FMU 63/3-U0 630A/3 AF KM L	29300-1500
Load-changeover switch	3	800	1	FMU 80/3-U0 800A/3 AF KM L	29300-1600
Load-changeover switch	3	1000	1	FMU 100/3-U0 1000A/3 AF KM L	29300-1700
Load-changeover switch	3	1250	1	FMU 125/3-U0 1250A/3 AF KM L	29300-1800
Load-changeover switch	3	1600	1	FMU 160/3-U0 1600A/3 AF KM L	29300-1900
Load-changeover switch	3	2000	1	FMU 200/3-U0 2000A/3 AF KM L	29300-2000
Load-changeover switch	4	63	1	FMU 6/4-U0 63A/4 AF KM L	29304-0400
Load-changeover switch	4	80	1	FMU 8/4-U0 80A/4 AF KM L	29304-0500
Load-changeover switch	4	100	1	FMU 10/4-U0 100A/4 AF KM L	29304-0600
Load-changeover switch	4	125	1	FMU 12/4-U0 125A/4 AF KM L	29304-0700
Load-changeover switch	4	160	1	FMU 16/4-U0 160A/4 AF KM L	29304-0800
Load-changeover switch	4	200	1	FMUN 20/4-U0 200A/4 AF KM BN L	29324-0900
Load-changeover switch	4	250	1	FMUN 25/4-U0 250A/4 AF KM BN L	29324-1000
Load-changeover switch	4	300	1	FMUN 30/4-U0 300A/4 AF KM BN L	29324-1100
Load-changeover switch	4	400	1	FMUN 40/4-U0 400A/4 AF KM BN L	29324-1300
Load-changeover switch	4	500	1	FMUN 50/4-U0 500A/4 AF KM BN L	29324-1400
Load-changeover switch	4	630	1	FMU 63/4-U0 630A/4 AF KM L	29304-1500
Load-changeover switch	4	800	1	FMU 80/4-U0 800A/4 AF KM L	29304-1600
Load-changeover switch	4	1000	1	FMU 100/4-U0 1000A/4 AF KM L	29304-1700
Load-changeover switch	4	1250	1	FMU 125/4-U0 1250A/4 AF KM L	29304-1800
Load-changeover switch	4	1600	1	FMU 160/4-U0 1600A/4 AF KM L	29304-1900
Load-changeover switch	4	2000	1	FMU 200/4-U0 2000A/4 AF KM L	29304-2000

Accessories for load-changeover switches, 3 and 4-pole, 63–2000 A, type FMU (FMUN)

Designation	Poles	Amps	PU	Product designation	Order no.
Door coupling + shaft extension		63–250	1	TKV-WV FWA160/FMU250 200MM	36509-0010
Door coupling + shaft extension	3 + 4	300–500	1	TKV-DG 245 WV-1250 200MM	36505-0010
Door coupling + shaft extension	3 + 4	630–1250	1	TKV-DG 355 WV-1250-FMU	36515-0010
Door coupling + shaft extension	3 + 4	1600–2000	1	TKV-WV 2000 FMU	36612-0010
Terminal cover, single-side	3 + 4	63–160	1	DKLAD 160 FMU	36503-0010
Terminal cover, single-side	3 + 4	200–250	1	DKLAD 250 FMU	36645-0010
Terminal cover, single-side	3 + 4	300–500	1	DKLAD 500 FMU	36588-0010
Terminal cover, single-side	4	630–1250	1	DKLAD 4-1250 FMU	36651-0010
Terminal cover, two sides, DKLAD	3	630–1250	1	DKLAD FMU 63-125/3	36703-0010
Terminal cover, single-side	3	1600–2000	1	DKLAD 3-2000 FMU	36694-0010
Terminal cover, two sides, DKLAD	4	1600–2000	1	KLAD FMU 160-200/4	45149-0200

Load-changeover switches, type FMU, steel enclosure, 3 and 4-pole, 63–2000 A



Application

Load-changeover switches of type FMU with steel enclosure provide some specific features for the following typical applications:

- Change-over to secondary power supply
- Connection to two power sources
- Switching function 1 – 0 – 2
- Switch for visible disconnection

► Technical data, on demand



29300-0410

Enclosure ST-FMU 6-16

Features:

- Dimensions: 300 x 300 x 120 mm
- Terminal opening: 134 x 44 mm
- Degree of protection: IP65
- Utilization category: I_b AC 21B 415V

Designation	Poles	Amps	PU	Product designation	Order no.
ST-FMU 6/3 with screw terminal M6	3	63	1	ST-FMU 6/3-U0 63A/3 AF KM GS L	29300-0410
ST-FMU 8/3 with screw terminal M6	3	80	1	ST-FMU 8/3-U0 80A/3 AF KM GS L	29300-0510
ST-FMU 10/3 with screw terminal M6	3	100	1	ST-FMU 10/3-U0 100A/3 AF KM GS L	29300-0710
ST-FMU 12/3 with screw terminal M6	3	125	1	FMU 12/3-U0 125A/3 AF KM L	29300-0810
ST-FMU 16/3 with screw terminal M8	3	160	1	FMU 16/3-U0 160A/3 AF KM L	29304-0410
ST-FMU 6/4 with screw terminal M6	4	63	1	FMUN 20/3-U0 200A/3 AF KM BN L	29304-0510
ST-FMU 8/4 with screw terminal M6	4	80	1	FMUN 25/3-U0 250A/3 AF KM BN L	29304-0610
ST-FMU 10/4 with screw terminal M6	4	100	1	FMUN 30/3-U0 300A/3 AF KM BN L	29304-0710
ST-FMU 12/4 with screw terminal M6	4	125	1	FMUN 40/3-U0 400A/3 AF KM BN L	29304-0810
ST-FMU 16/4 with screw terminal M8	4	160	1	FMUN 50/3-U0 500A/3 AF KM BN L	29320-1400



29320-0910

Enclosure ST-FMUN 20-25

Features:

- Dimensions: 300 x 400 x 210 mm
- Terminal opening: 234 x 48 mm
- Degree of protection: IP65
- Utilization category: I_b AC 21B 415V

Designation	Poles	Amps	PU	Product designation	Order no.
ST-FMUN 20/3 with screw terminal M10	3	200	1	ST-FMUN 20/3-U0 200A/3 KM AF GS L	29320-0910
ST-FMUN 25/3 with screw terminal M10	3	250	1	ST-FMUN 25/3-U0 250A/3 KM AF GS L	29320-1010
ST-FMUN 20/4 with screw terminal M10	4	200	1	ST-FMU 10/3-U0 100A/3 AF KM GS L	29324-0910
ST-FMUN 25/4 with screw terminal M10	4	250	1	ST-FMUN 25/4-U0 250A/4 KM AF GS L	29324-1010



29320-1110

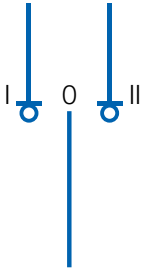
Enclosure ST-FMUN 30-50

Features:

- Dimensions: 380 x 600 x 210 mm
- Terminal opening: 303 x 65 mm
- Degree of protection: IP65
- Utilization category: I_b AC 21B 415V

Designation	Poles	Amps	PU	Product designation	Order no.
ST-FMUN 30/3 with screw terminal M10	3	300	1	ST-FMUN 20/3-U0 200A/3 KM AF GS L	29320-1110
ST-FMUN 40/3 with screw terminal M10	3	400	1	ST-FMUN 25/3-U0 250A/3 KM AF GS L	29320-1310
ST-FMUN 50/3 with screw terminal M10	3	500	1	ST-FMU 10/3-U0 100A/3 AF KM GS L	29320-1410
ST-FMUN 30/4 with screw terminal M10	4	300	1	ST-FMUN 25/4-U0 250A/4 KM AF GS L	29324-1110
ST-FMUN 40/4 with screw terminal M10	4	400	1	ST-FMUN 40/4-U0 400A/4 KM AF GS L	29324-1310
ST-FMUN 50/4 with screw terminal M10	4	500	1	ST-FMUN 50/4-U0 500A/4 KM AF GS L	29324-1410

Load-changeover switches, type FMU, steel enclosure, 3 and 4-pole, 63–2000 A



Application

Load-changeover switches of type FMU with steel enclosure provide some specific features for the following typical applications:

- Change-over to secondary power supply
- Connection to two power sources
- Switching function 1 – 0 – 2
- Switch for visible disconnection

► Technical data, on demand



29300-1510

Enclosure ST-FMUN 63-125

Features:

- Dimensions: 500 x 700 x 250 mm
- Terminal opening: 303 x 114 mm
- Degree of protection: IP65
- Utilization category: I_e AC 21B 415V

Designation	Poles	Amps	PU	Product designation	Order no.
ST-FMU 63/3 with screw terminal M12	3	630	1	ST-FMU 63/3-U0 630A/3 AF KM L	29300-1510
ST-FMU 80/3 with screw terminal M12	3	800	1	ST-FMU 80/3-U0 800A/3 AF KM GS L	29300-1610
ST-FMU 100/3 with screw terminal M12	3	1000	1	ST-FMU 100/3-U0 1000A/3 AF KM GS L	29300-1710
ST-FMU 125/3 with screw terminal M12	3	1250	1	ST-FMU 125/3-U0 1250A/3 AF KM GS L	29300-1810
ST-FMU 63/4 with screw terminal M12	4	630	1	ST-FMU 63/4-U0 630A/4 AF KM GS L	29304-1510
ST-FMU 80/4 with screw terminal M12	4	800	1	ST-FMU 80/4-U0 800A/4 AF KM GS L	29304-1610
ST-FMU 100/4 with screw terminal M12	4	1000	1	ST-FMU 100/4-U0 1000A/4 AF KM GS L	29304-1710
ST-FMU 125/4 with screw terminal M12	4	1250	1	ST-FMU 125/4-U0 1250A/4 AF KM GS L	29304-1810



29300-1910

Enclosure ST-FMUN 160-200

Features:

- Dimensions: 760 x 760 x 300 mm
- Terminal opening: 303 x 114 mm
- Degree of protection: IP65
- Utilization category: I_e AC 21B 415V

Designation	Poles	Amps	PU	Product designation	Order no.
ST-FMU 160/3 with screw terminal M12	3	1600	1	ST-FMU 160/3-U0 1600A/3 AF KM GS L	29300-1910
ST-FMU 200/3 with screw terminal M12	3	2000	1	ST-FMU 200/3-U0 2000A/3 AF KM GS L	29300-2010
ST-FMU 160/4 with screw terminal M12	4	1600	1	ST-FMU 160/4-U0 1600A/4 AF KM GS L	29304-1910
ST-FMU 200/4 with screw terminal M12	4	2000	1	ST-FMU 200/4-U0 2000A/4 AF KM GS L	29304-2010

Master and emergency switches



Application

Master and emergency switches of type HSWA are especially suitable for use in machine controls and control cabinets. Due to their exceptional technical properties, they comply with any requirement for repair and service switches or crane master switches. They feature a motor-breaking capacity of AC 23 (switching of motors and other highly inductive loads).

Areas of use

- Enclosed systems
- Machine tools
- Factory-built assemblies of switchgear

Scope of supply

Devices are supplied complete with padlockable handle, front cover, door coupling with latch, and shaft extension with single-side terminal cover.

► Technical data, page 13



29160-1000

Master and emergency switches, 3-pole, 250–1250 A, type HSWA

Designation	Poles	Amps	PU	Product designation	Order no.
Master and emergency switch	3	250	1	HSWA 25/3K-A 250A/3 AF KW L	29160-1000
Master and emergency switch	3	315	1	HSWA 30/3K-A 315A/3 AF KW L	29160-1200
Master and emergency switch	3	400	1	HSWA 40/3K-A 400A/3 AF KW L	29160-1300
Master and emergency switch	3	500	1	HSWA 50/3K-A 500A/3 AF KW L	29160-1400
Master and emergency switch	3	630	1	HSWA 63/3K-A 630A/3 AF KW L	29160-1500
Master and emergency switch	3	800	1	HSWA 80/3-A 800A/3 AF KW L	29160-1600
Master and emergency switch	3	1000	1	HSWA 100/3-A 1000A/3 AF KW L	29160-1700
Master and emergency switch	3	1250	1	HSWA 125/3-A 1250A/3 AF KW L	29160-1800

Accessories for master and emergency switches, 3-pole, 250–1250 A, type HSWA

Designation	Poles	Amps	PU	Product designation	Order no.
Terminal cover, single-side	3	63–100	1	KLAD FWA 8/3K	31828-0200
Terminal cover, single-side	3	125–200	1	KLAD-160	36573-0010
Terminal cover, single-side	3	250–630	1	KLAD-630	36658-0010
Aux. switch 1 NO / 1 NC in position 1	3	250–630	1	HILFSSCHALTER 1S1Ö 630A	36516-0010
Aux. switch 1 NO / 1 NC in position 1	3	800–1250	1	HILFSSCHALTER 1S1Ö FWA 1250A	36504-0010

Load-break switches without fuse-links 3-pole, type FAM

Type FAM: 63–300 A / AC21B 690 V / AC22B 415 V

Type	Outer dimensions W x H x D in mm	Order no. H1S10 Aux. switch 1 NO / 1 NC in pos. 1	Order no. KLAD Terminal cover, single-side	Rated uninter- rupted current I _u	Rated operat- ing current I _o AC21B 690 V	Rated operat- ing current I _o AC22B 415 V	Poles	Max. conductor cross-section	Order no.
FAM 10/3	114x110x72	36593-0010 *	36702-0010	100A	100A	80A	3	70 mm ²	29250-0600
FAM 12/3	114x110x72	36593-0010 *	36702-0010	125A	125A	80A	3	70 mm ²	29250-0700
FAM 16/3	114x110x72	36593-0010 *	36702-0010	160A	160A	100A	3	70 mm ²	29250-0800
FAM 20/3	208x210x94	36596-0010 *	36506-0010	200A	200A	200A	3	150 mm ²	29250-0900

* Note: auxiliary contact = 1 C/O

Type	Accessories	Order no.
Clinch nut	Neutral pole for 3-pole + N	36906-0010
Lug terminal	Neutral pole for 3-pole + N	36907-0010
Box terminal	Neutral pole for 3-pole + N	36908-0010

Switch-fuses 3-pole, type SILA

Type SILA: 63–125 A / AC22B 415 V

Type	Outer dimen- sions W x H x D in mm	Order no. H1S10 Aux. switch 1 NO / 1 NC in pos. 1	Order no. KLAD Terminal cover, single-side	Rated uninter- rupted current I _u	Rated operat- ing current I _o AC22B 415 V	Fuse-link size NH	Poles	Max. conductor cross-section	Order no.
SILA-NH 00-6/3-SE	114x 95x72	36593-0010 *	36501-0010	63A	63A	000/00	3	16–70 mm ²	29400-0400
SILA 00-12/3-SE	114x 95x72	36593-0010 *	36501-0010	125A	125A	00	3	16–70 mm ²	29400-0700

* Note: auxiliary contact = 1 C/O

Type	Accessories	Order no.
Box terminal	Neutral pole for 3-pole + N	36909-0010
Lug terminal	Neutral pole for 3-pole + N	36910-0010
Clinch nut	Neutral pole for 3-pole + N	36911-0010

Switch-fuses 3 and 4-pole, type SILAD-NH

Type SILAD-NH: 63–630 A / AC22B 415 V

Type	Outer dimensions W x H x D in mm	Order no. H1S10 Aux. switch 1 NO / 1 NC in pos. 1	Order no. KLAD Terminal cover, single-side	Rated uninter- rupted current I _u	Rated operat- ing current I _o AC22B 415 V	Fuse-link size NH	Poles	Max. conductor cross-section	Order no.
SILAD 00-6/3-SE	120x140x140	upon request	36507-0010	63A	63A	000/00	3	16–70 mm ²	29410-0400
SILAD 00-12/3-SE	120x140x140	upon request	36507-0010	125A	125A	00	3	16–70 mm ²	29410-0700
SILAD 1-25/3-SE	208x210x145	upon request	36506-0010	250A	250A	1	3	50–150 mm ²	29400-1000
SILAD 1-25/3+N-SE	208x210x145	upon request	36506-0010	250A	250A	1	3+N	50–150 mm ²	29403-1000
SILAD 2-40/3-SE	256x160x195	upon request	36589-0010	400A	400A	2	3	95–240 mm ²	29420-1300
SILAD 2-40/3+N-SE	256x160x195	upon request	36589-0010	400A	400A	2	3+N	95–240 mm ²	29423-1300
SILAD 3-63/3-SE	324x238x230	upon request	36591-0010	630A	630A	3	3	120–300 mm ²	29420-1500
SILAD 3-63/3+N-	324x238x230	upon request	36591-0010	630A	630A	3	3+N	120–300 mm ²	29423-1500

* Note: auxiliary contact = 1 C/O

Type	Accessories	Order no.
Clinch nut	Neutral pole for 3-pole + N	36906-0010
Lug terminal	Neutral pole for 3-pole + N	36907-0010
Box terminal	Neutral pole for 3-pole + N	36908-0010

Load-changeover switches 3 and 4-pole, type FMU (FMUN)

Type FMU (FMUN): 63–800A / AC21B 415 V

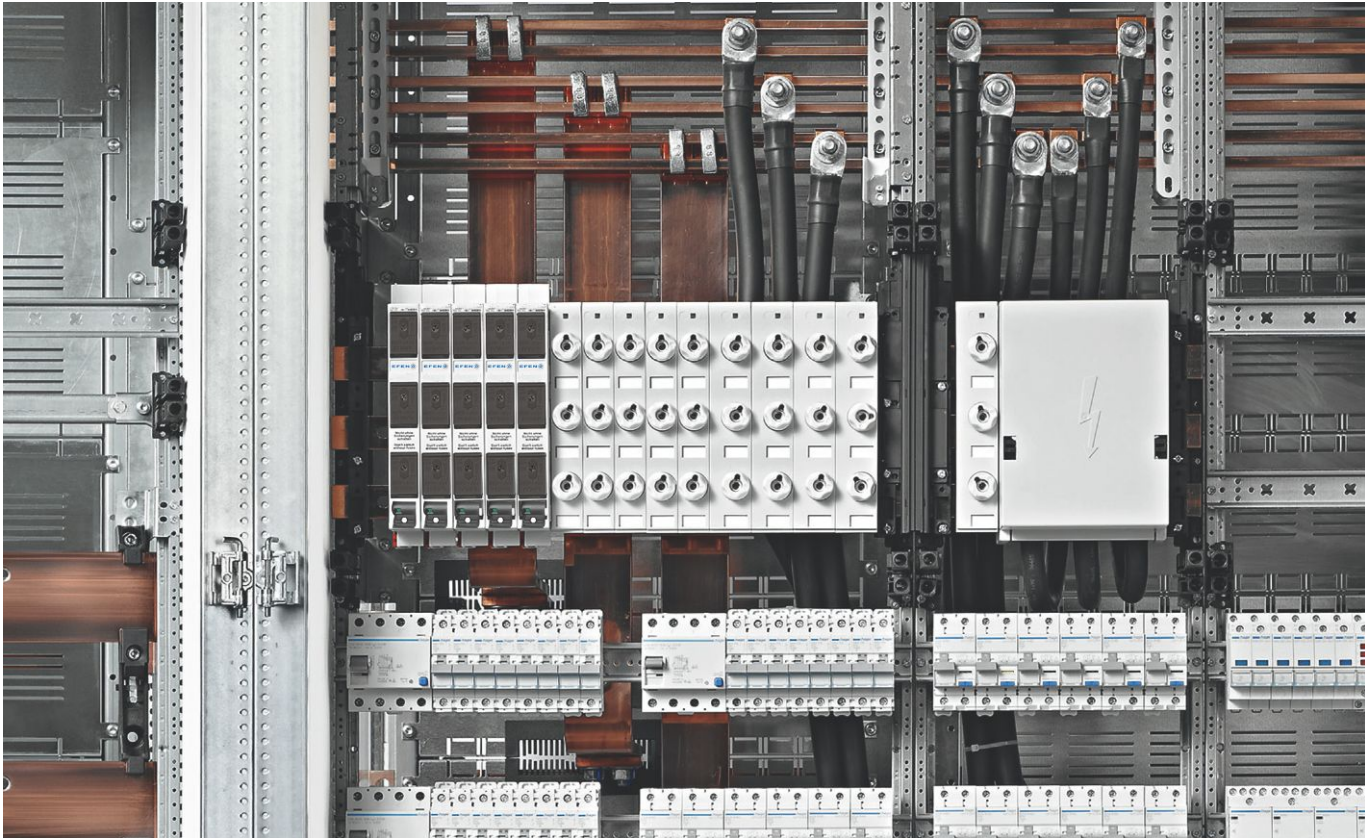
Type	Outer dimensions W x H x D in mm	Order no. H1S10 Aux. switch 1 NO / 1 NC in pos. 1	Order no. KLAD Terminal cover, single-side	Rated uninter- rupted current I _U	Rated operat- ing current I _o AC21B 415 V	Poles	Max. conductor cross-section	Order no.
FMU 6/3	189x150x 98	36509-0010	36503-0010	63A	63A	3	25 mm ²	29300-0400
FMU 6/4	189x150x 98	36509-0010	36503-0010	63A	63A	4	25 mm ²	29304-0400
FMU 8/3	189x150x 98	36509-0010	36503-0010	80A	80A	3	25 mm ²	29300-0500
FMU 8/4	189x150x 98	36509-0010	36503-0010	80A	80A	4	25 mm ²	29304-0500
FMU 10/3	189x150x 98	36509-0010	36503-0010	100A	100A	3	25 mm ²	29300-0600
FMU 10/4	189x150x 98	36509-0010	36503-0010	100A	100A	4	25 mm ²	29304-0600
FMU 12/3	189x150x 98	36509-0010	36503-0010	125A	125A	3	35 mm ²	29300-0700
FMU 12/4	189x150x 98	36509-0010	36503-0010	125A	125A	4	35 mm ²	29304-0700
FMU 16/3	189x150x 98	36509-0010	36503-0010	160A	160A	3	70 mm ²	29300-0800
FMU 16/4	189x150x 98	36509-0010	36503-0010	160A	160A	4	70 mm ²	29304-0800
FMUN 20/3	245x181x 95	36509-0010	36645-0010	200A	200A	3	120 mm ²	29320-0900
FMUN 20/4	245x181x 95	36509-0010	36645-0010	200A	200A	4	120 mm ²	29324-0900
FMUN 25/3	245x181x 95	36509-0010	36645-0010	250A	250A	3	150 mm ²	29320-1000
FMUN 25/4	245x181x 95	36509-0010	36645-0010	250A	250A	4	150 mm ²	29324-1000
FMUN 30/3	286x285x143	36505-0010	36588-0010	300A	300A	3	185 mm ²	29320-1100
FMUN 30/4	286x285x143	36505-0010	36588-0010	300A	300A	4	185 mm ²	29324-1100
FMUN 40/3	286x285x143	36505-0010	36588-0010	400A	400A	3	240 mm ²	29320-1300
FMUN 40/4	286x285x143	36505-0010	36588-0010	400A	400A	4	240 mm ²	29324-1300
FMUN 50/3	286x285x143	36505-0010	36588-0010	500A	500A	3	300 mm ²	29320-1400
FMUN 50/4	286x285x143	36505-0010	36588-0010	500A	500A	4	300 mm ²	29324-1400
FMU 63/3	390x245x180	36515-0010	36703-0010	630A	630A	3	2x185 mm ²	29300-1500
FMU 63/4	475x245x180	36515-0010	36651-0010	630A	630A	4	2x185 mm ²	29304-1500
FMU 80/3	390x253x180	36515-0010	36703-0010	800A	800A	3	2x185 mm ²	29300-1600
FMU 80/4	475x253x180	36515-0010	36651-0010	800A	800A	4	2x185 mm ²	29304-1600

Master and emergency switches 3-pole, type HSWA

Type HSWA: 205–630 A / AC22B 415 V / AC23B 415 V

Type	Outer dimen- sions W x H x D in mm	Order no. H1S10 Aux. switch 1 NO / 1 NC in pos. 1	Order no. KLAD Terminal cover, single-side	Rated uninter- rupted current I _U	Rated operat- ing current I _o AC22B 415 V	Rated operat- ing current I _o AC23B 415 V	Poles	Max. conductor cross-section	Order no.
HSWA 25/3K	200x210x118	36516-0010	36538-0010	250A	250A	250A	3	185 mm ²	29160-1000
HSWA 30/3K	200x210x118	36516-0010	36538-0010	315A	315A	250A	3	195 mm ²	29160-1200
HSWA 40/3K	200x210x118	36516-0010	36538-0010	400A	400A	250A	3	240 mm ²	29160-1300
HSWA 50/3K	200x225x118	36516-0010	36538-0010	500A	500A	400A	3	2x150 mm ²	29160-1400
HSWA 63/3K	208x225x118	36516-0010	36538-0010	630A	630A	400A	3	2x185 mm ²	29160-1500

Power distribution components



D0 Fuse-Switches and Fuse-Bases

D0 fuse holders offer protection within the smallest space and, thanks to state-of-the-art engineering, perfectly integrate into future systems.

System

EFEN's D0 series offers proven, state-of-the-art technology with many options. Thanks to their compact design and comprehensive accessories, the products of the D0 series can be used for a wide range of applications.

Features

EFEN fuse material complies with national and international standards and regulations such as DIN, VDE and IEC. Customer-specific versions provide the right solution for all applications.



Load Break Switches / Changeover Switches

D0 Fuse-Switches, horizontal design	page 266
D0 Fuse-Switches, vertical design	page 266
D Fuse-Bases E16 to E33	page 266
D0 Fuse-Bases for busbar mounting	page 267
Accessories	page 267
Technical data	page 268

D0 Fuse-Switch
for supporting-rail mounting



D0 Fuse-Switch
for busbar mounting



D0 Fuse-Bases
for baseplate and busbar mounting



D0 Flange-Bases E16 – E33
for door and switchboard installation



D0 Fuse-Switches and Fuse-Bases

► Technical data, page 270



56025-0010

D0 Fuse-Switches, horizontal design, for supporting-rail mounting

Designation	PU	Product designation	Order no.
D0-SI-LATR 1P SLT/D02/D01	12	D0-SI-LATR 1P SLT/D02/D01	56025-0010
D0-SI-LATR 2P SLT/D02/D01	6	D0-SI-LATR 2P SLT/D02/D01	56025-0020
D0-SI-LATR 3P SLT/D02/D01	4	D0-SI-LATR 3P SLT/D02/D01	56025-0030
D0-SI-LATR 4P SLT/D02/D01	3	D0-SI-LATR 4P SLT/D02/D01	56025-0040
D0-SI-LATR 1P+N SLT/D02/D01	6	D0-SI-LATR 1P+N SLT/D02/D01	56025-0050
D0-SI-LATR 3P+N SLT/D02/D01	3	D0-SI-LATR 3P+N SLT/D02/D01	56025-0060



56040-0010

D0 Fuse-Switches, vertical design, for busbar mounting – 60 mm system

Designation	PU	Product designation	Order no.
D-LA-LEI 3P 60mm D01/02 10x38	3	D-LA-LEI 3P 60 mm D01/02 10x38	56040-0010
D-LA-LEI 3P+N 60mm D01/02 10x38	3	D-LA-LEI 3P+N 60 mm D01/02 10x38	56040-0020
D-LA-LEI 3P K 60mm D01/02	4	D-LA-LEI 3P K 60 mm D01/02	56041-0010



56000-0010

D Fuse-Base E16 for door or switchboard installation

Features:

- DIN 49336
- 25A / 500 V
- Black molded material, molded lock nut
- Live metal parts made of nickel-plated brass

Designation	PU	Product designation	Order no.
D-SOCK E16	10	D-SOCK E16	56000-0010
D-SOCK E16 RU	10	D-SOCK E16 RU	56000-0030
D-SOCK E16 RU PL	10	D-SOCK E16 RU PL	56000-0050



56001-0010

D Fuse-Base E27 for door or switchboard installation

Features:

- DIN 49337
- 25A / 500 V
- Black molded material, molded lock nut
- Live metal parts made of nickel-plated brass

Designation	PU	Product designation	Order no.
A D-SOCK E27 DII	10	A D-SOCK E27 DII	56001-0010
A D-SOCK E27 DII RU	10	A D-SOCK E27 DII RU	56001-0030



56002-0010

D Fuse-Base E33 for door or switchboard installation

Features:

- DIN 49339
- 63 A / 690 V
- Black molded material, molded lock nut
- Live metal parts made of nickel-plated brass

Designation	PU	Product designation	Order no.
A D-SOCK E33 DIII	1	A D-SOCK E33 DIII	56002-0010
A D-SOCK E33 DIII RU	1	A D-SOCK E33 DIII RU	56002-0020

D0 Fuse-Bases

► Technical data, page 268



56010-0010

D Fuse-Base E33 for door or switchboard installation

Features:

- DIN 49339, 63 A, 690 V
- Black molded material, molded lock nut
- Live metal parts made of nickel-plated brass

Designation	PU	Product designation	Order no.
D-SOCK E33 DIII 1200V RU	1	D-SOCK E33 DIII 1200V RU	56010-0020



56016-0010

D0 Fuse-Base

Features:

- Complies with DIN 49524, VDE 0636/T41, EN 60269, VDE approval, DEMKO
- Rated voltage 400 V ~
- 16 A – 100 A
- Ceramic socket material
- Snaps onto supporting rails acc. to DIN 46277
- With cover cap

Designation	PU	Product designation	Order no.
D-SOCK D01 16A 1P AS	100	D-SOCK D01 16A 1P AS	56015-0010
D-SOCK D01 16A 1P AS, W/O CAP AND SPRING	100	D-SOCK D01 16A 1P AS OHNE KAPPE U. FEDER	56015-0020
D-SOCK D02 63A 1P S/S	100	D-SOCK D02 63A 1P S/S	56016-0010
D-SOCK D02 63A 1P SR/S	100	D-SOCK D02 63A 1P SR/S	56016-0020
D-SOCK D02 63A 1P S/-, W/O CAP AND SPRING	100	D-SOCK D02 63A 1P S/- OHNE KAPPE U. FEDER	56016-0030
D-SOCK D01 16A 3P AS	100	D-SOCK D01 16A 3P AS	56018-0010
D-SOCK D02 63A 3P S/S	100	D-SOCK D02 63A 3P S/S	56019-0010
D-SOCK D03 100 A 3P S/S	100	D-SOCK D03 100A 3P S/S	56020-0010
D-SOCK D01 16A 3P SIS	100	D-SOCK D01 16A 3P SIS	56023-0010



56518-0010

D0 Fuse-Bases for busbar mounting – 60 mm system

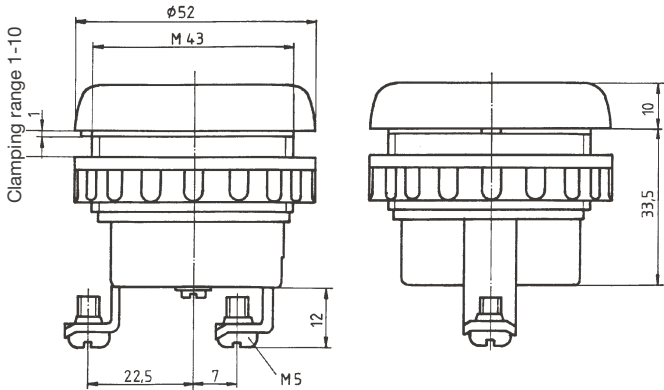
Designation	PU	Product designation	Order no.
D-SOCK E27 SB 3P	10	D-SOCK E27 SB 3P	56527-0010
D-SOCK E33 SB 3P	10	D-SOCK E33 SB 3P	56533-0010
D-SOCK E18 SB 3P, w/o cover	10	D-SOCK E18 SB 3P ohne Abdeck.	56518-0010
D-SOCK E18 SB 3P, 27 mm cover	10	D-SOCK E18 SB 3P Abdeck.27mm	56518-0110
D-SOCK E18 SB 3P, 36 mm cover	10	D-SOCK E18 SB 3P Abdeck.36mm	56518-0210
D-SOCK E18 SB 3P, 54 mm cover	10	D-SOCK E18 SB 3P Abdeck.54mm	56518-0310

D0 accessories

Designation	PU	Product designation	Order no.
D0 REDUCTION SPRING SLT D01 in D02	12	D0-REDUZIERHALTEFEDER SLT D01 in D02	56025-0900
Cable routing spacer D-LA-LEI 3P K	40	Kabelf. Abstandh. D-LA-LEI 3P K	56041-0900
D-LA-LEI protection against contact 37.5 mm	10	D-LA-LEI Hintergreifschutz 37,5mm	56040-0900
D-LA-LEI cover / fuse holder VE3	3	D-LA-LEI Deckel / Sicherungshalter VE3	56040-0910

D0 Fuse-Bases

Type 56001-0010

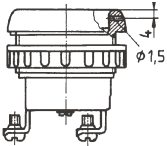


Other types

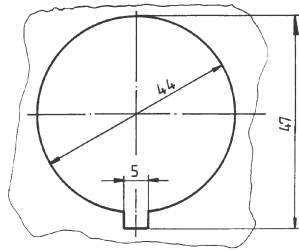
ID number	Rated voltage V	Code
56001-0030	vibration-proof	Ru

D screw caps 56100- ... /56202- ...
 D gauge rings 58001- ... /58002- ...
 D fuse elements 55000- ... /55001- ...

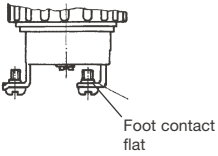
Sealable versions



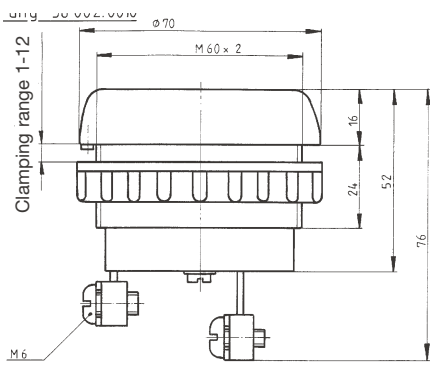
Mounting hole



Variant with flat foot contact



Type 56002-0010



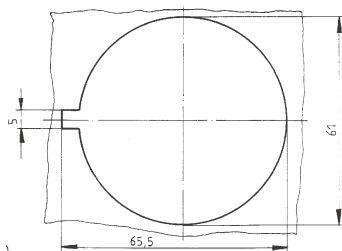
Other types

ID number	Rated voltage V	Code
56002-0020	vibration-proof	Ru

For other types please inquire

D gage rings DIII 58004- ...
 D screw caps DIII 56103- ...

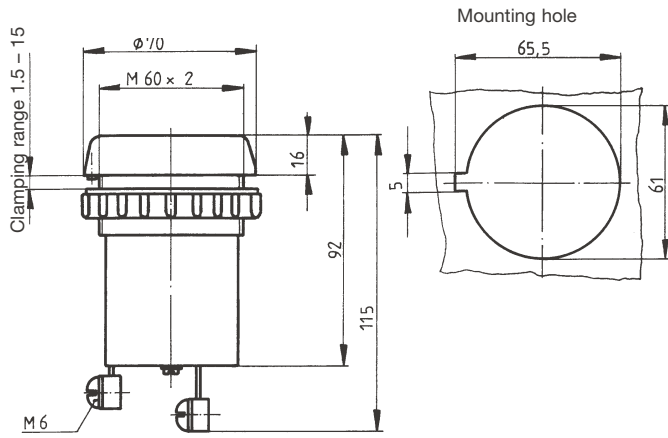
Mounting hole



Power distribution components

D0 Fuse-Bases

Type 56010-0010



Other types

ID number	Rated voltage V	Code
56010-0020	vibration-proof	Ru

For other types please inquire

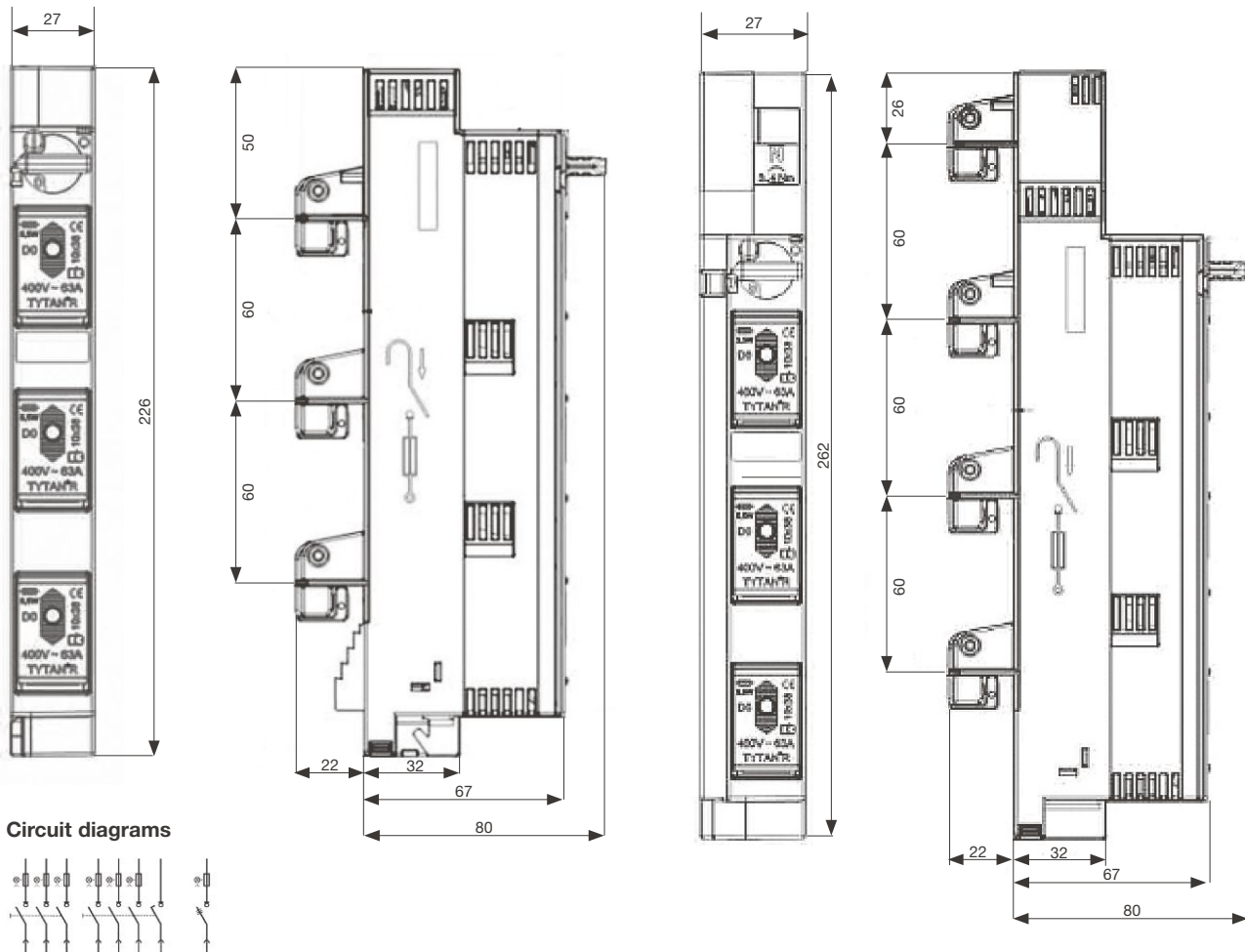
D fuse elements	DIII 55002- ...
D gage rings	DIII 58004- ...
D screw caps	DIII 56103- ...

D0 Fuse-Switches, vertical design, with fuse-monitoring

Technical data 56040-0010

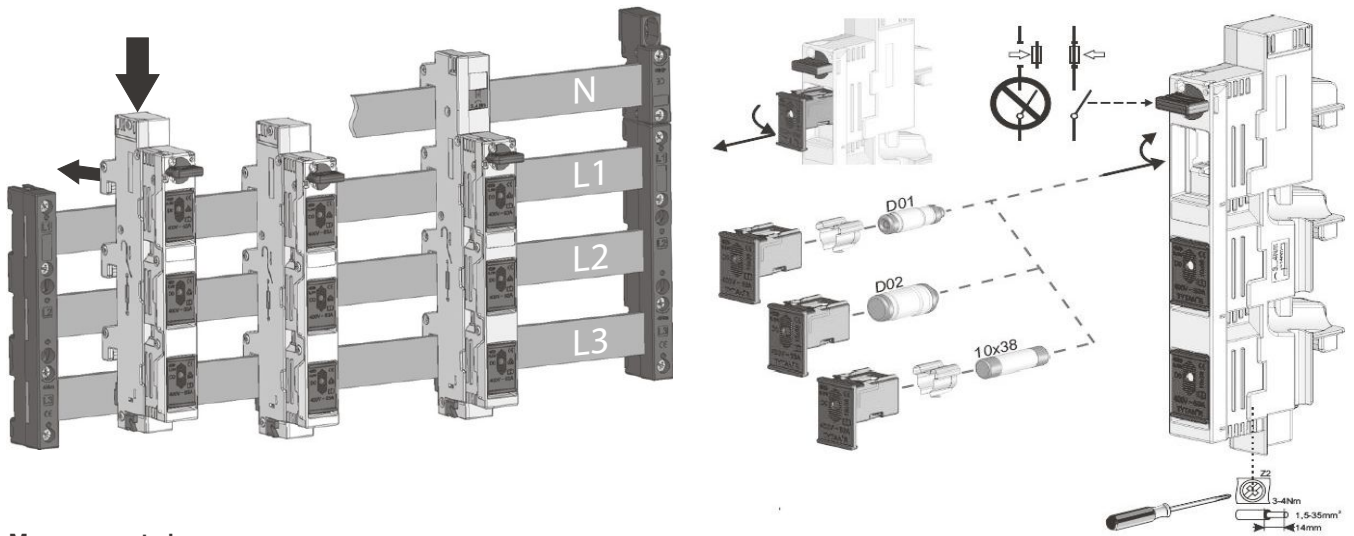
Classification	Switch-fuse
Requirements / Standards	DIN VDE 0638 DIN EN 60947-3; IEC 947-3
Suitable for D0 fuses acc. to DIN 49522	D01; 2, 4, 6, 10, 13, 16 A with reduction spring D02; 20, 25, 32, 35, 40, 50, 63 A
Suitable for cylindrical fuse elements acc. to IEC EN 60269-1	10 x 38 mm: 2 – 32 A with reduction spring
Suitable for gage pieces acc. to DIN 49523	D02: 2, 4, 6, 10, 16, 20, 25, 35, 50 A
Number of poles	3-pole, 3-pole + N
Insulation parts	Plastic, free of halogens, phosphorus and silicone
Fire classification / leakage resistance	UL94/V0, filament test 960 °C / CTI600
Degree of protection / protection against contact	IP20 / protects fingers and back of the hand
Rated operating voltage U_e	400 V~
Rated operating current I_e	63 A
Rated uninterrupted current I_e	63 A
Rated short-circuit making-capacity I_{cm}	50 kA _{eff}
Switching category	AC 23B
Overvoltage category	IV (DIN VDE 0110)
Pollution degree	3 (DIN VDE 0110)
Rated impulse withstand-current U_{imp}	6000 V
Terminal connection	Stainless steel terminal 1.5 – 35 mm ²
Tightening torque M_D	4 Nm

Power distribution components



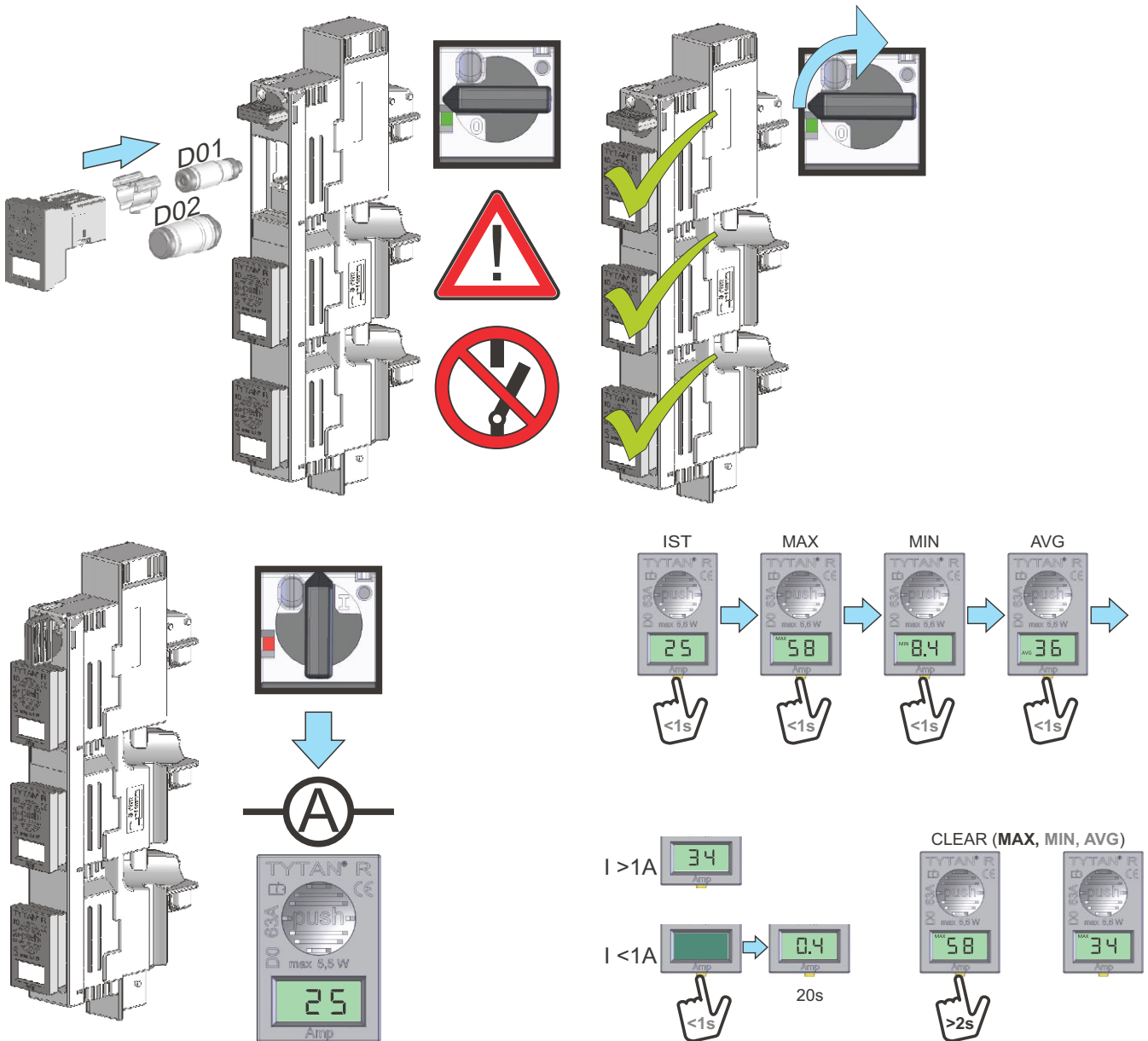
D0 Fuse-Switches, vertical design, with fuse-monitoring

Installation



Power distribution components

Measurement pin

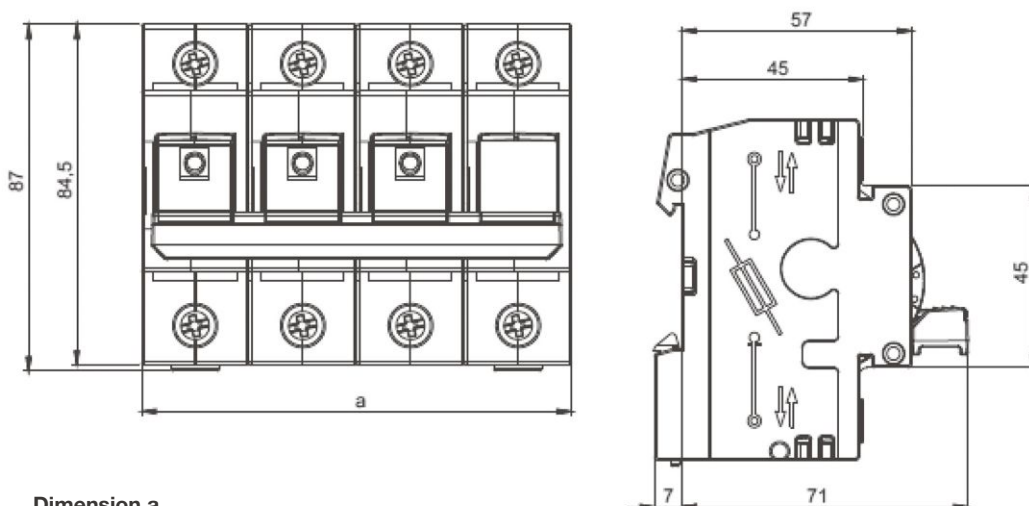


D0 Fuse-Switches, horizontal design, for supporting-rail mounting

Fuse-Switches for supporting rails

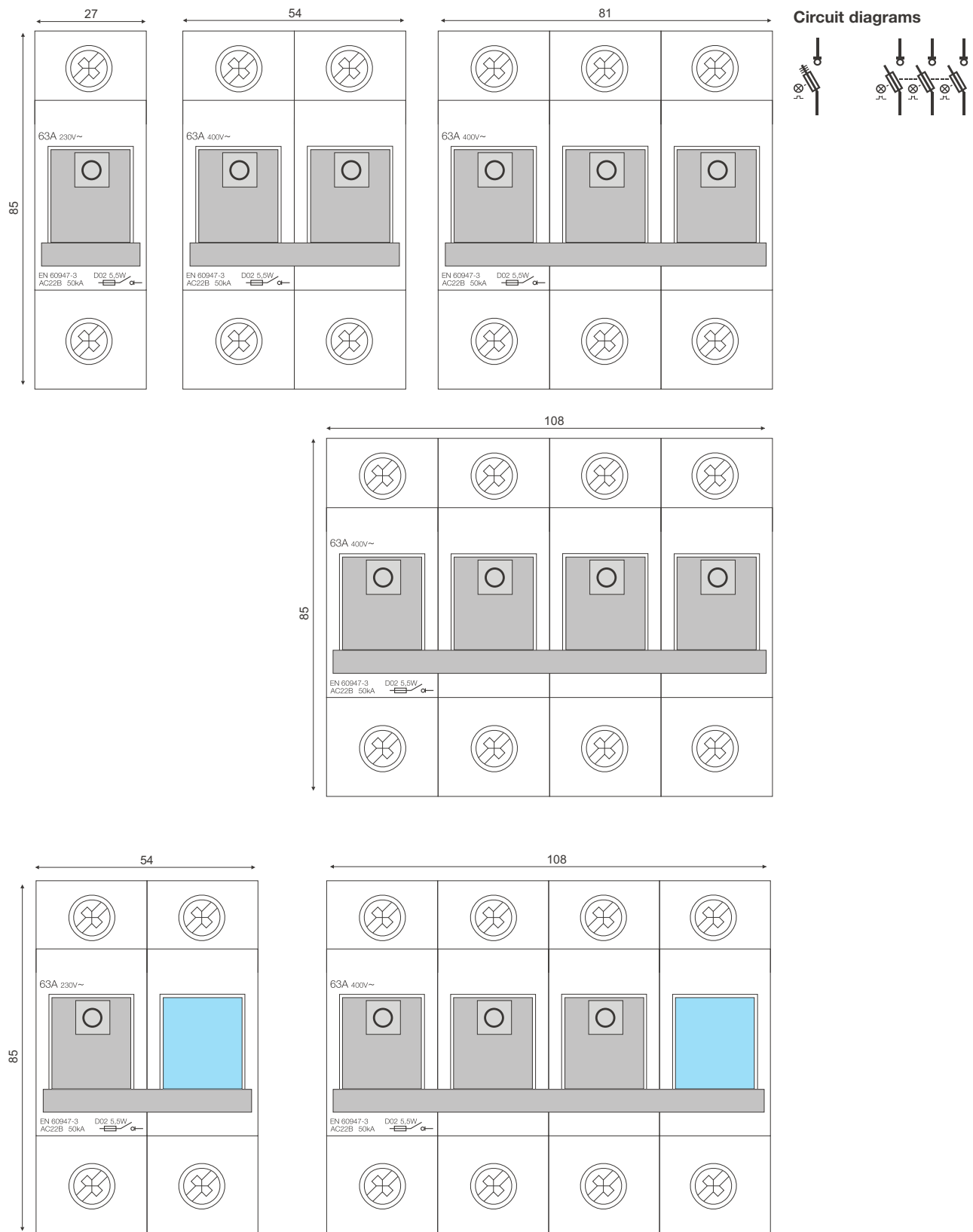
Requirements	DIN VDE 0660 part / Teil 107, EN 60947, IEC 60947-3
	DIN VDE 0636 part / Teil 41, IEC 60269-3
	DIN VDE 0638, DIN VDE 43880
Number of poles	1-pole, 2-pole, 3-pole, 4-pole
Handling	Clip-on system without screw caps
suitable for gL, gG and aM fuses	D01: 2, 4, 6, 10, 16
	D02: 20, 25, 35, 50, 63
Ambient temperature	in storage min./max. -25 °C / +100 °C
	in operation min./max. -25 °C / +60 °C
Fire classification / leakage resistance	UL94/V0, filament test 960 °C / CTI 600
Protection against contact	IP 20
Rated operating voltage U_e	- AC 400V
	DC 1-pole up to 110 V, 2-pole up to 220 V
Rated operational current I_e	63 A
Rated uninterrupted current I_e	63 A
Overvoltage category/pollution degree	IV/3 (DIN VDE 0110)
Rated impulse withstand-current U_{imp}	6000 V
Rated special voltage AC	440 V, for use with 440 V fuse-links only
Max. heating at I_u and ambient temperature	approx. 25 °C / fuse pin approx. 30 °C, stainless-steel cage terminal
Terminal connection	Cross-sections 1.5 – 35 mm ²
Torque	M6 Pozidriv max. 4 Nm
Rated short-circuit making-capacity I_{cm}	I _{cm} = 50 kA _{eff}
Switching category	AC 22B

Power distribution components


Dimension a

1-pole	27 mm
2-pole	54 mm
3-pole	81 mm
4-pole	108 mm
1-pole + N	54 mm
3-pole + N	108 mm

D0 Fuse-Switches, horizontal design, for supporting-rail mounting



The integrated terminal with a cross-section of 1.5 – 35 mm² allows the combined connection of rails up to 16 mm² and lines with end sleeves up to 16 mm². The maximum tightening torque is 4 Nm.

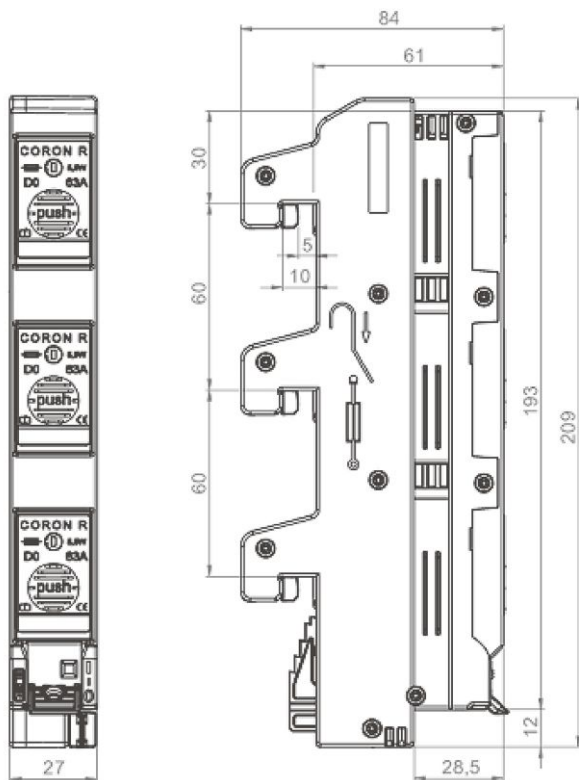
Bending-tested with 16 mm² rails and 16 mm² lines with end sleeves in accordance with DIN/EN 60947-1, paragraph 8.2.4.3.

Pull-tested with 16 mm² rails and 16 mm² lines with end sleeves in accordance with DIN/EN 60947-1, paragraph 8.2.4.4.

D0 Fuse-Switches, vertical design, for 60 mm busbar mounting, short version

Technical data 56041-0010

Classification	Switch-fuse
Requirements / Standards	DIN VDE 0638 DIN EN 60947-3; IEC 947-3
Suitable for D0 fuses acc. to DIN 49522	D01; 2, 4, 6, 10, 13, 16 A with reduction spring D02; 20, 25, 32, 35, 40, 50, 63 A
Suitable for cylindrical fuse elements acc. to IEC EN 60269-1	10 x 38 mm: 2 – 32 A with reduction spring
Suitable for gage pieces acc. to DIN 49523	D02: 2, 4, 6, 10, 16, 20, 25, 35, 50 A
Number of poles	3-pole, 3-pole + N
Insulation parts	Plastic, free of halogens, phosphorus and silicone
Fire classification / leakage resistance	UL94/V0, filament test 960 °C / CTI600
Degree of protection / protection against contact	IP20 / protects fingers and back of the hand
Rated operating voltage U_e	400 V~
Rated operating current I_e	63 A
Rated uninterrupted current I_e	63 A
Rated short-circuit making-capacity I_{cm}	50 kA _{eff}
Switching category	AC 22B
Overvoltage category	IV (DIN VDE 0110)
Pollution degree	3 (DIN VDE 0110)
Rated impulse withstand-current U_{imp}	6000 V
Terminal connection	Stainless steel terminal 1.5 – 35 mm ²
Tightening torque M_b	4 Nm



D0 Fuse-Switches, vertical design, for 60 mm busbar mounting, short version

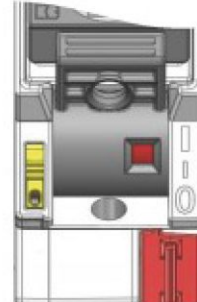
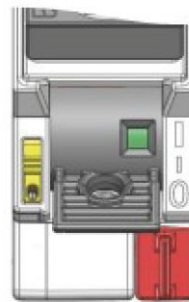
Functions / Visualization

Ready for operation

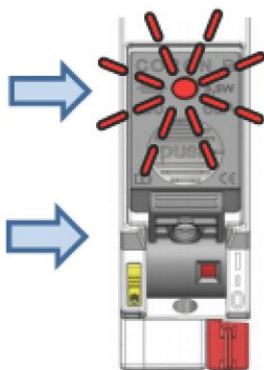
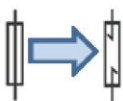


Off

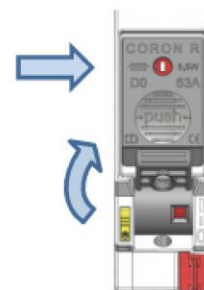
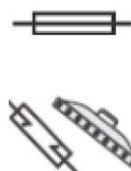
On



Fault – fuse is tripped

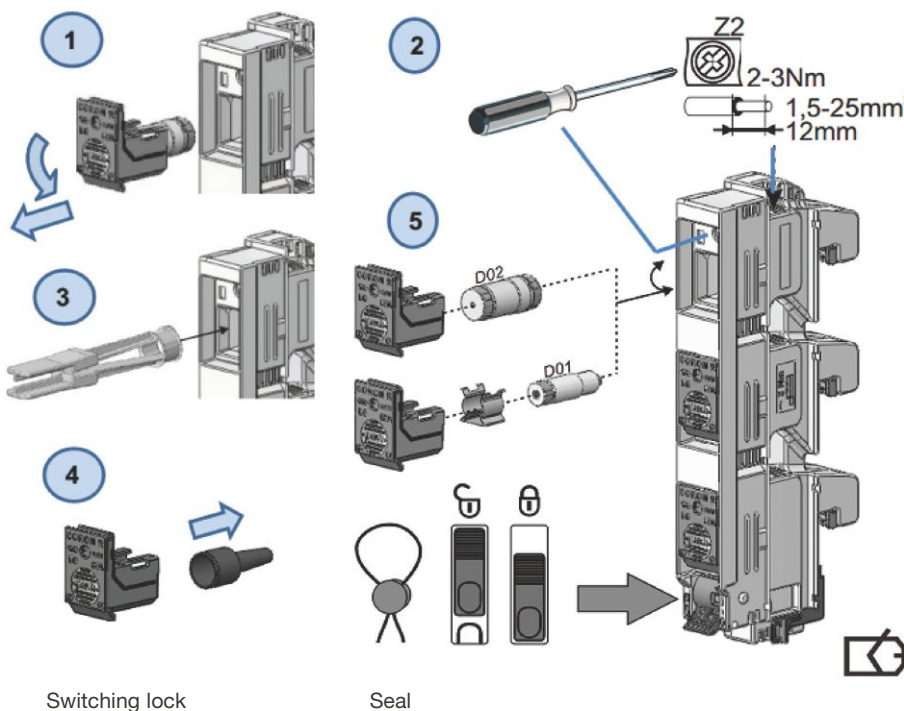


RESET



The optoelectronic indicator flashes when the fuse-link is disconnected. Thanks to this immediate fault indication, a mechanical indicator is no longer needed.

Operation / fuse-link and conductor connection



Power distribution components



IN THE LINE OF POWER



Efficient Distribution

When it comes to reliable power supply, replacing nuclear power by renewable energies is one of the greatest challenges. To this end, EFEN offers consistent solutions for safety interfaces from power generation to power storage and to the selective control of consumers.



Reliable Protection

Reliable protection of people and assets is a key requirement of any power distribution system. The comprehensive solutions from EFEN ensure maximum safety in all areas of power supply, infrastructure and industry.



Smart Control

Higher energy efficiency reduces peak loads and lowers energy costs. Early-warning systems reduce minimal unplanned plant downtimes to the minimum. Smart solutions from EFEN ensure reliable communication and maximum availability of power distribution systems.

EFEN GmbH
Große Hub 10c
65344 Eltville, Germany
Tel. + 49 (0) 6123 7045-0
Fax + 49 (0) 6123 7045-122
e-Mail: mail@efen.com
www.efen.com

Slovakia
EFEN Slovakia s.r.o
Odborárska 3
831 02 Bratislava
Slovensko/Slovakia
Tel. 00421 55 633 9898
Fax 00421 55 633 9898
e-Mail: efen@efen.sk

Logistic - Center
EFEN GmbH
Gewerbepark Nord 6
04938 Uebigau
Germany
Tel. +49 35365 893 0
Fax +49 35365 893 35
e-Mail: efen@efen.com

Hungary
EFEN Division
Guba Sándor u. 87
7400 Kaposvár
Hungary
Tel. +36-82-417559
Fax +36-82-417529
e-Mail: info@efen-hungaria.hu

Austria
EFEN GmbH
Prinzgasse 1/29/9
1220 Wien
Austria
Tel.: +43 (0) 676-9768-100
Fax: +43 12533033 3366
e-Mail: suchacek@efen.com

China
EFEN Shanghai Office
800 Shangchen Rd (1090 New Century Ave)
Room 517 CIMIC Building Shanghai 200120
China
Tel. +86 21 6575-8878
Fax +86 21 6575-8876
e-Mail: efen@efen.com.cn

Poland
EFEN sp. z o.o.
Aleja Młodych 26-28
41-106 Siemianowice Śląskie
Poland
Tel. +48 32 220 00 63
Fax +48 32 220 00 64
e-Mail: efen@efen.com.pl
e-Mail: export@efen.com.pl
www.efen.com.pl

