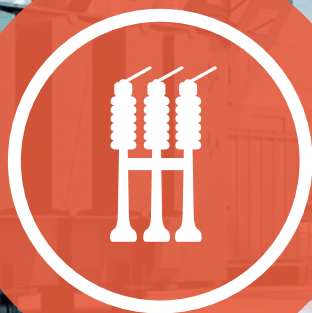


DESIGNED AND
ENGINEERED
IN AUSTRALIA

— SINCE 1993 —



SWITCHGEAR



SUBSTATION



UNDERGROUND



OVERHEAD

Switchgear designed and engineered since 1993

At Insulect, we enable better informed decisions and return on investment through the products, services and support we provide - across electricity networks and for major energy users.

Our Switchgear range provides tough, reliable network hardware requiring minimal maintenance for long-lasting performance.



MODULAR DESIGN

All our switchgear products are built for customisation. Each is based on a standardised Insulect design, with the ability to be modularly adapted to the specification requirements of individual customer.



COLLABORATIVELY DEVELOPED

Insulect leverage the strength of our partnerships with trusted customers, combining our shared expertise to collaboratively solve problems and improve the bottom line.



LIFECYCLE SUPPORT

We understand that our products are just one part of a much bigger asset management task. We support our customers throughout this process with maintenance and refurbishment services that enable greater reliability, predictability and sustainable investment decisions.

SUBSTATION Switchgear



12 kV to 145 kV

Disconnectors

MODULAR SUBSTATION APPLICATIONS

When it comes to substation hardware, you don't want to compromise on the fit. Insulect disconnectors are designed to fit each network's requirements and each substation's layout.


Our disconnectors are designed and built for the harshest operating environments, and to meet extended maintenance-free interval imperatives.

High-torque operating mechanisms ensure that when you operate the switch the contacts open, even after extended periods in the closed position in high pollution environments.

Disconnectors are supplied as fully assembled units or modular packed for reduced delivery costs to site. On site installation can be carried out by our expert team, to get your disconnectors into your network and operational.

ASSET REFURBISHMENT

Insulect provides refurbishment services, re-engineering aged assets to meet contemporary operating standards. Services include refurbishing existing contacts, retrofit of new contacts, supply of new disconnectors to suit existing structures or complete replacement solutions designed to fit existing footings.

- 
- **Rotary double-break design**
 - **Manual or motor operation**
 - **Custom footprint, frame and features**

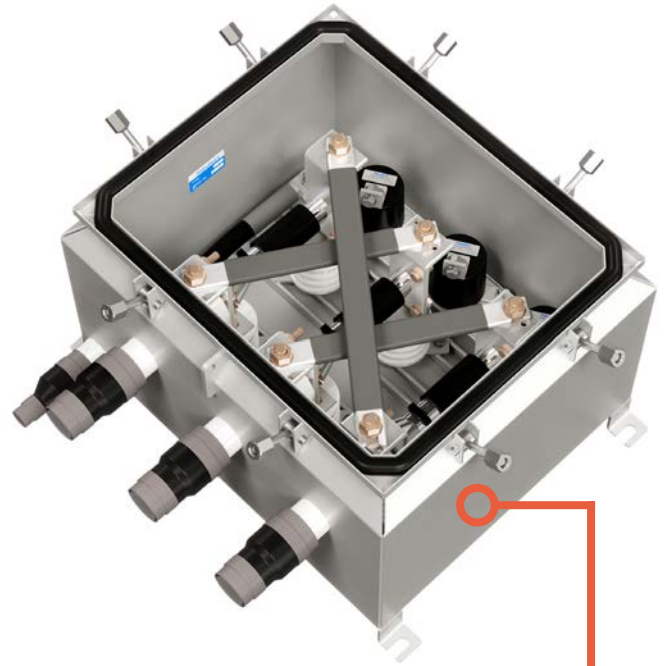
Link Boxes

HIGH VOLTAGE CABLE

Cable installations are expensive assets that require effective safeguarding - utilising quality, reliable components at every connection point.

InsulTECT link boxes ensure a weather proof environment for connecting links, whether for earthing or cross-bonding high voltage cables.

We have a link box for every application: to suit most cable specifications, and various earthing practices to minimise sheath currents and provide sheath voltage protection.



Sheath Voltage Limiters (SVL)

SVLs are an economic solution for safeguarding critical cable infrastructure.

They are highly reliable and effective at managing cable sheath voltage rises and the associated power flows that can result under fault conditions.

Our range of Sheath Voltage Limiters are designed, manufactured and tested by us, to ensure the highest quality and standard of protection.

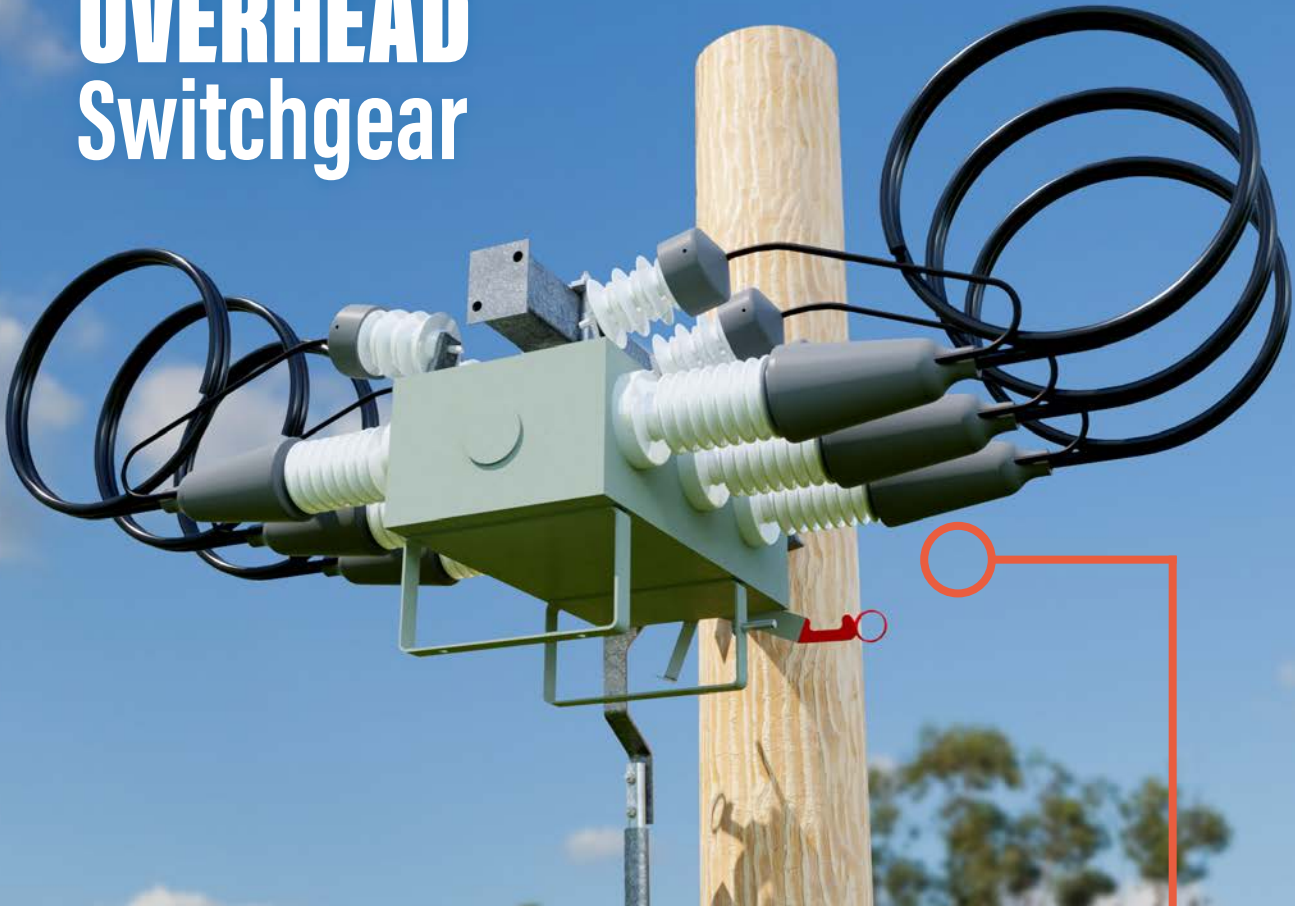


UNDERGROUND Switchgear



up to 800 kV

OVERHEAD Switchgear



OVERHEAD CUSTOMISATION

Our range of load break switches are available in manual, motorised or fully automated versions for local or remote operation.

Our advanced controller logic is capable of supporting IEC61850 protocols.

Air insulated switches can be horizontally or vertically mounted in top- or mid-pole configurations, with or without load breaks or earth switch. We offer an extensive range of bushing materials.

We also design and manufacture a comprehensive range of mounting and operating hardware including our patented hook stick actuator.



Load Break Switches

AIR AND SF6 GAS INSULATED

Load break switches are an important part of overhead distribution and rail networks, used as either isolation or switching points.

Our designs for air-insulated and gas-insulated load break switches are built on our decades of experience and in-depth understanding of the needs of network operators.

Designed and manufactured with ease of installation and lowest cost of ownership in mind, our designs readily accommodate any customer mounting configuration and pole structure and can be supplied to site in modular format or fully assembled.



12 kV to 36 kV

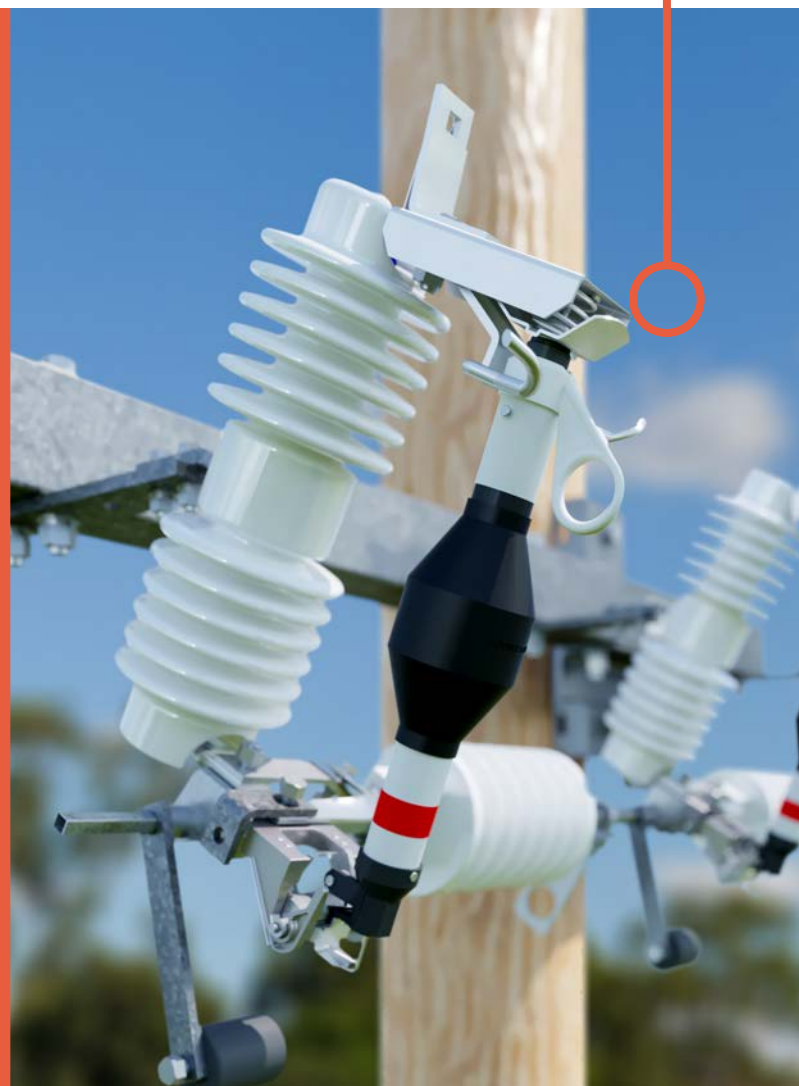
Electronic Sectionalisers

Developed for use on overhead distribution lines to isolate faults on radial lines, electronic sectionalisers are typically used in conjunction with a recloser and replace the traditional dropout fuse protection.

Our designs allow for simple customisation - various mounting styles, universal EDO mount, and intuitive settings input.

Isolating Links

HV links are installed throughout distribution networks and in substations as isolation points between high voltage apparatus. They can be readily configured to a diverse range of applications.



12 kV to 36 kV

MV Surge Arresters

Insulect Class C MV Polymer Surge Arresters are designed to provide optimum protection for transformers and other medium voltage equipment against over voltage transients caused by lightning and switch surge events.



POLYMER

Polymer surge arresters provide significant advantages over traditional porcelain designs, including durability, compact size, safety under failure, and fire retardancy.



Lifetime support from specification to replacement



Insulect can provide equipment installation, maintenance and refurbishment services to utilities and contracting companies for our full range of switchgear products.

There are plenty of reasons to enlist our support on your next project, whether for the installation of new equipment or a site refurbishment:

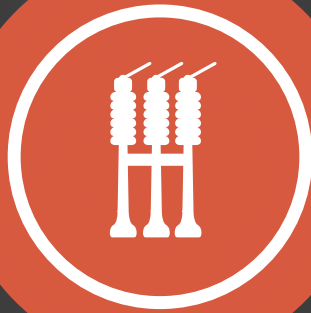
- Proven engineering design and manufacturing capability
- Application experience and commitment to innovation
- Business processes and quality systems
- End-of-life product management and disposal within stringent environmental guidelines

SWITCHGEAR

MADE IN AUSTRALIA

BY

insulect



FLAT-PACKED OR READY TO INSTALL

While technology is making the world smaller, the tyranny of distance still equals cost when moving finished goods to remote sites around Australia and the world.

All Insulect switchgear products are available in fully assembled or modular flat pack format to reduce costly freight to site. Customers are provided with full assembly instructions and documentation and we provide training services where required.

www.insulect.com

1300 446 565