

ISICOMPACT

Cable tap connector for 1 kV low-voltage powergrids

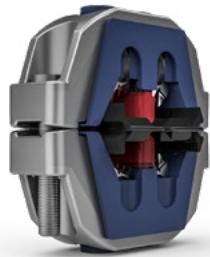
ISICOMPACT

The clamping ring of today

Practical installation, good occupational safety and high levels of operational reliability are fundamental criteria for home power connections. ISICOMPACT by PFISTERER – the inventor of multi-conductor cable branch technology – is today's state-of-the-art. This enhancement of our "compact tap connector" (also known as the SCK) has been modified in line with current work standards. And with great success. These days, the ISICOMPACT connector is a major player in low-voltage powergrids.

Six screws become ONE

ISICOMPACT reliably creates a branch connection from the supply cable to the end customer with just one screw. This simplifies and speeds up installation. Where as conventional "clamping rings" have at least six screws, one or more of which are usually poorly accessible, the single screw on the ISICOMPACT can be placed on the cable to suit conditions, and conveniently tightened from above or from the side.



High flexibility

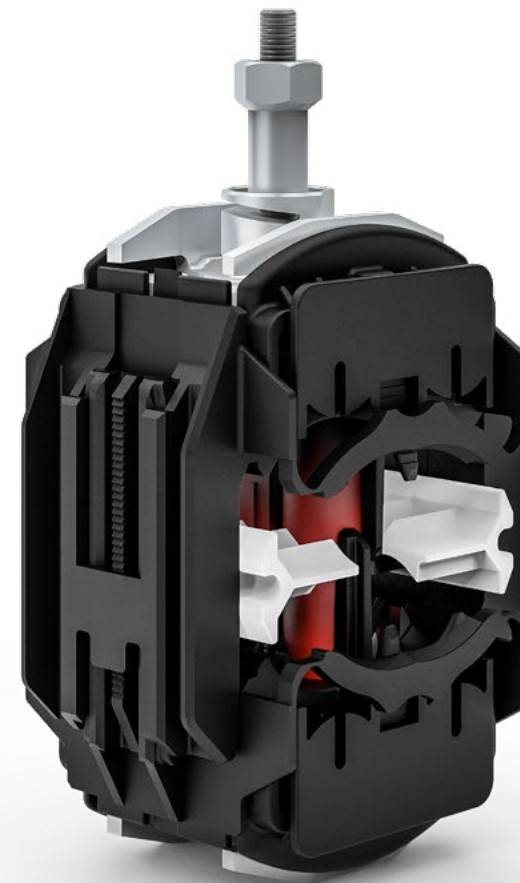
Compared to conventional cable tap connectors, ISICOMPACT offers significantly larger clamping ranges and high flexibility in use. Altogether there are two standard sizes and seven variants. ISICOMPACT multi combines the S, M and 3 1/2 variants in one product. As a result, electricians are equipped for all eventualities. At the same time, the smaller number of variants reduces the risk of using the wrong type and cuts inventory costs.

Simple & safe installation

Tightening the screw establishes all conductor contacts reliably and safely to form the cable branch. Insulation does not have to be removed from the conductor; contacts are established by piercing the insulation. Spring pressure plates on both sides of the clamp ensure permanent contact force. The design and installation sequence ensure IP2X protection against contact with live parts throughout all work steps.

Live line working

Providing shock-proof protection against electrical hazards, ISICOMPACT is designed for live line working. The "green" version ISICOMPACT plus is the only cable tap connector approved by employer's liability insurance association BG ETEM for live line work without additional PPE. It meets the strict requirements of DGUV Information 203-031 (formerly BGI 862).



Unique shear-off technology

ISICOMPACT features a specially developed shear nut which performs two tasks during fitting. It defines the installation end-point and minimises the clamp's dimensions. Once the optimal contact force is reached, the shear nut operates and the protruding section of the screw breaks away burr-free. Subsequently, ISICOMPACT fits into all commercially available cast resin joints.



Benefits

- Insulation does not have to be removed from the conductor
- Shock-proof IP2X protection against electrical hazards
- One-Screw solution with defined shear torque
- Consistent operational reliability, tested to DIN VDE 0220 part 3
- Reduced range of variants due to large area of application
- Ideal for live line work

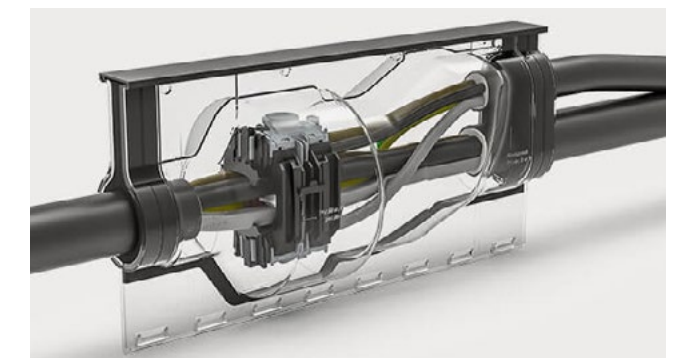
ISICOMPACT in Numbers

- Voltage: up to 1 kV
- Conductor class: 1 and 2 according to EN 60228
- Main conductor cross-section: 25-240 mm²
- Branch conductor cross-section: 6-185 mm²

Everything from a single source

Clamping ring and cast resin joints from the inventor of multi-conductor cable branch technology.

As a contact technology specialist and solution-oriented system provider, PFISTERER offers a wide selection of cast resin joints to complement the ISICOMPACT connection system, as well as complete matching sets comprising a cast resin joint and the cable tap connector. Our proven two-component cast resins with excellent flow characteristics are available in tins or in a practical two-chamber bag.



ISICOMPACT

The clamping ring of today

Practical installation, good occupational safety and high levels of operational reliability are fundamental criteria for home power connections. ISICOMPACT by PFISTERER – the inventor of multi-conductor cable branch technology – is today’s state-of-the-art. This enhancement of our “compact tap connector” (also known as the SCK) has been modified in line with current work standards. And with great success. These days, the ISICOMPACT connector is a major player in low-voltage powergrids.

Six screws become ONE

ISICOMPACT reliably creates a branch connection from the supply cable to the end customer with just one screw. This simplifies and speeds up installation. Where as conventional “clamping rings” have at least six screws, one or more of which are usually poorly accessible, the single screw on the ISICOMPACT can be placed on the cable to suit conditions, and conveniently tightened from above or from the side.



Simple & safe installation

Tightening the screw establishes all conductor contacts reliably and safely to form the cable branch. Insulation does not have to be removed from the conductor; contacts are established by piercing the insulation. Spring pressure plates on both sides of the clamp ensure permanent contact force. The design and installation sequence ensure IP2X protection against contact with live parts throughout all work steps.

Live line working

Providing shock-proof protection against electrical hazards, ISICOMPACT is designed for live line working. The “green” version ISICOMPACT plus is the only cable tap connector approved by employer’s liability insurance association BG ETEM for live line work without additional PPE. It meets the strict requirements of DGUV Information 203-031 (formerly BGI 862).

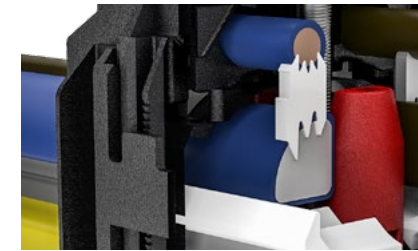


Single-screw system

- 4-conductor branch by tightening one screw
- Screw connection can be placed in any position

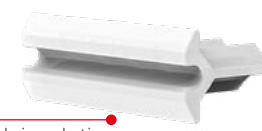
Piercing contact technique

- No stripping of the conductors



Cross-wedges

- Penetrate through insulation



Functional product design

- Touch-safe at every installation step
- Stepless adjustment to conductor cross-sections
- Branch conductors are simply placed into the clamp

Universal application

- Large cross-section ranges
- For all types of conductor
- For aluminium and copper conductors, class 1 and 2

Fewer different variants and low inventory costs

Shear-off nut

- Defined shear-off torque
- Optimal contact forces

Spring elements

- Constant contact quality
- Compensation of mechanical settling losses

Protection ribs

- Prevent premature penetration of contacts into main line
- Breaks during tightening of clamp

Insulating wall with inspection openings

- Enables checking of conductor position

Installation using standard tools

- Insulated tools in accordance with EN 60900
- Requires 13 mm or 17 mm wrench
- No torque wrench

Video



ISICOMPACT product range

Number of conductors	Main conductor Cross-section	Product	Branch conductor							Socket size	Article no.
			6-50	6-50	6-70	6-50	6-50	6-50	6-50		
3 1/2	70/35 - 150/70 150/95	ISICOMPACT 3 1/2								13	331 896 021 331 896 025*
		ISICOMPACT multi								13	331 896 031 331 896 035*
3 1/2 & 4	25 Cu RM + 35 - 150 + 185 SE	ISICOMPACT S									331 896 011 331 896 015*
		ISICOMPACT M								13	331 896 003 331 896 005*
4	70/35 - 150/70 150/95	ISICOMPACT plus									331 896 004
		ISICOMPACT L								13	331 896 103
		ISICOMPACT L30									331 897 102
		ISICOMPACT L40								17	331 897 001 - 00006
	70 - 150 + 185 SE										
	25 Cu RM + 35 -95										
	50 Cu SM + 70 - 150 + 185 SE										
	120-240 SE 120-185 SM										
	70 - 240 SE/SM										
	70 - 240 SE										
	70 - 240 Al SM 50 - 240 Cu SM										

* For cables with up to 4 control conductors

NEW

PFISTERER Holding AG

Rosenstraße 44
73650 Winterbach
Germany
Phone: +49 7181 7005 0
Fax: +49 7181 7005 565
info@pfisterer.com
www.pfisterer.com

100
YEARS
PFISTERER
SINCE 1921

In 1921, Karl Pfisterer founded his factory in Stuttgart for special electrical products with the aim of improving the world of power transmission. The PFISTERER Group has pursued this goal of quality and technological leadership for more than 100 years. Today, PFISTERER is one of the world's leading specialists and system suppliers for energy infrastructure – with a complete range of cable accessories, overhead line technology and components along the entire transmission chain from power generation to consumption. With state-of-the-art manufacturing processes and 1,200 employees at 18 international locations, PFISTERER not only connects the power grids of today and tomorrow, but also makes an important contribution to a sustainable and secure energy supply.